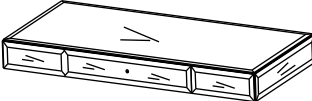

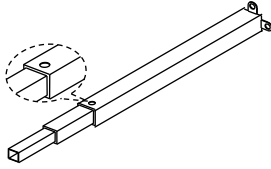
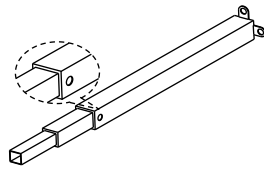
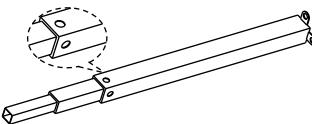
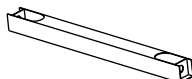
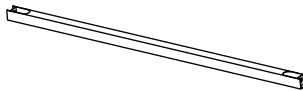

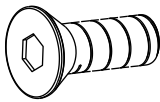
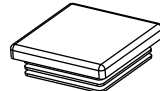
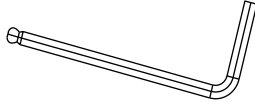


# ASSEMBLY INSTRUCTION

## MIRRORED DESK WITH DRAWER

<b>A</b> Mirrored Top  1pc	<b>B</b> Metal Frame  1pc	<b>C</b> Front Right Leg  1pc	<b>D</b> Front Left Leg  1pc
<b>E</b> Back Leg  2pcs	<b>F</b> Short Stretcher  2pcs	<b>G</b> Long Stretcher  1pc	<b>H</b> Knob ** Pre-attached to the inside of drawer **  1pc
<b>I</b> Bolt 1/4" x 5/8"  22pcs	<b>J</b> End Cap 22mm x 22mm  4pcs	<b>K</b> Allen Wrench 1/4"  1pc	

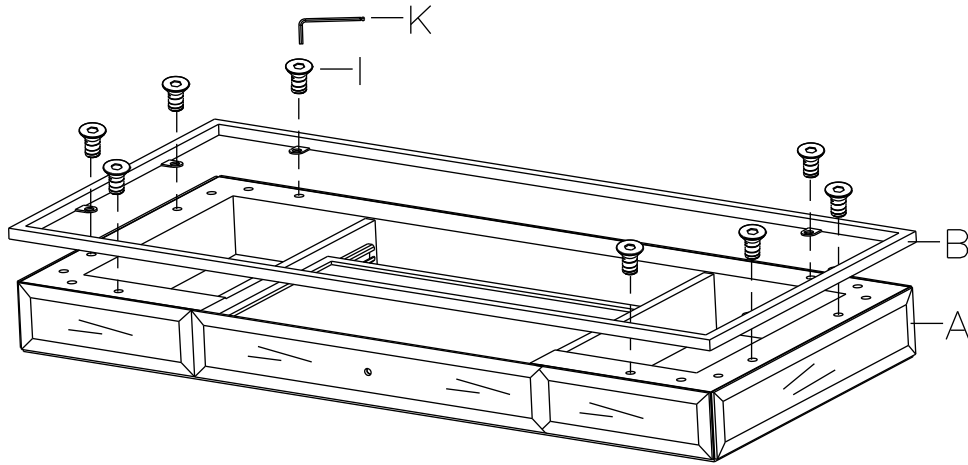


This page lists all the contents included in the box. Please take the time to identify the hardware as well as the individual components to this product. As you unpack and prepare for assembly, place the contents on a carpeted or padded area to protect them from damage.

**\*\*\* Do not tighten screws & bolts until the entire unit is completely assembled.**

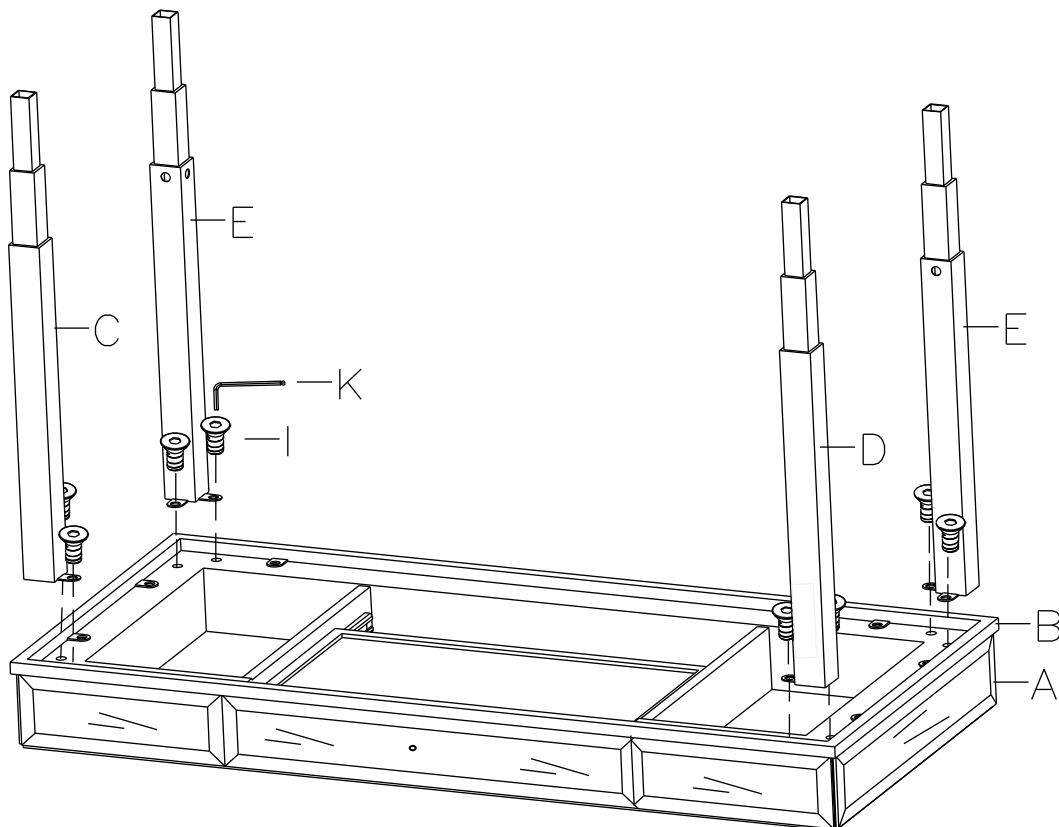
**1**

Attach Metal Frame (B) to Mirrored Top (A) using Bolt (I) and Allen Wrench (K) as shown.

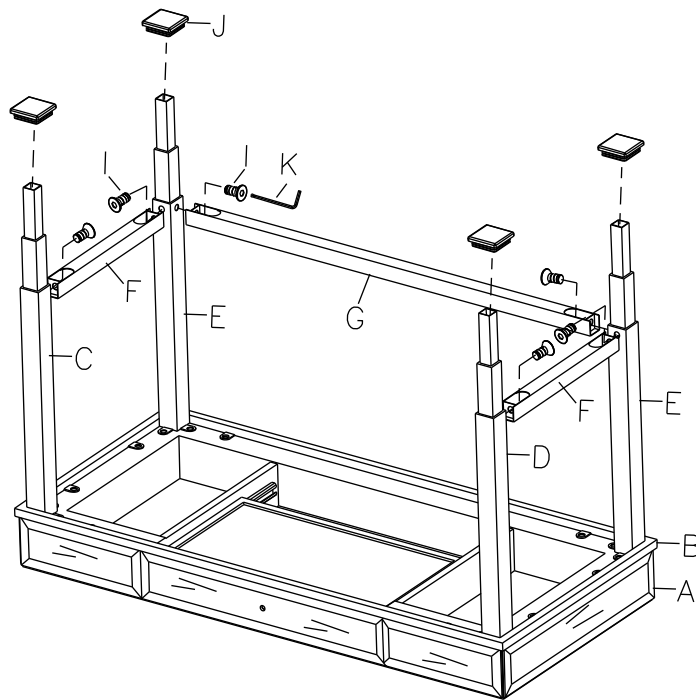


**2**

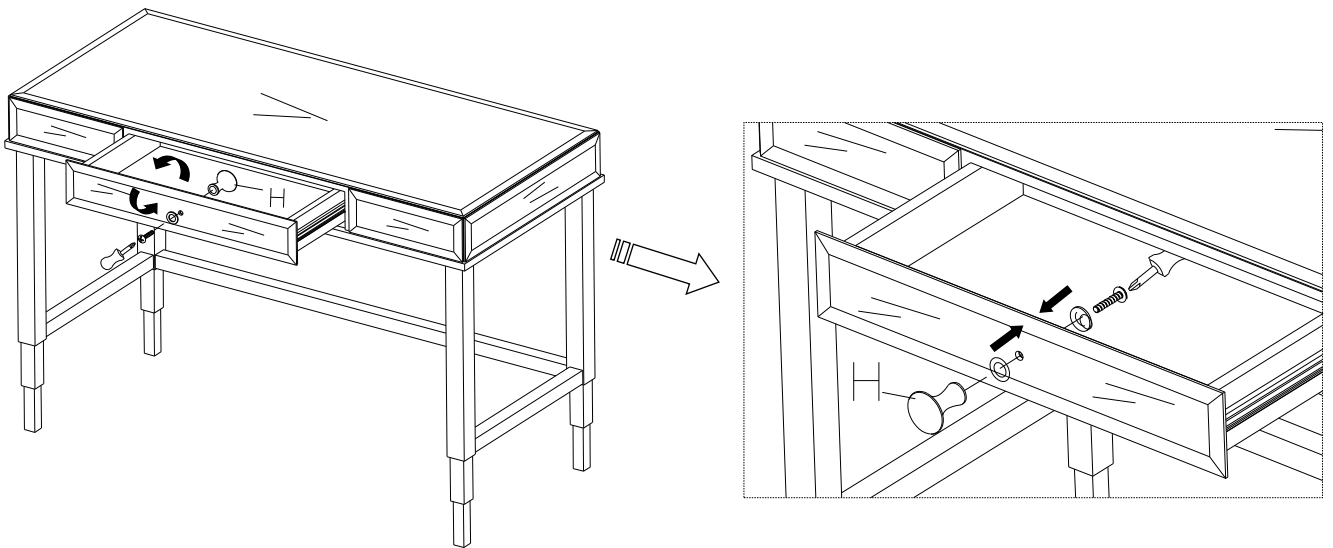
Attach Front Right Leg (C), Front Left Leg (D) and Back Leg (E) to Mirrored Top (A) using Bolt (I) and Allen Wrench (K) as shown.



- 3** Attach Short Stretcher (F) between Leg (C, D, E) using Bolt (I) and Allen Wrench (K). Attach Long Stretcher (G) between Back Leg (E) using Bolt (I) and Allen Wrench (K). Then, attach End Cap (J) to Leg (C, D, E) as shown. Tighten all bolts at this step.



- 4** Carefully turn the assembled unit upright. Remove Knob (H) with a bolt and plastic washers from inside of the drawer and reattach on the drawer front as shown.
- ⊙ The two plastic washers are for the purpose of protecting mirror surface. Please place one of the washers inside of the drawer and place the other one between the drawer front and Knob (H).



### Cleaning & Care

Treat surfaces with care. Surfaces are resistant to scratches but are not scratch resistant. Clean surfaces with a dry or damp soft cloth. Do not use abrasive cleaners. Hardware may loosen over time. Periodically check that all connections are tight.