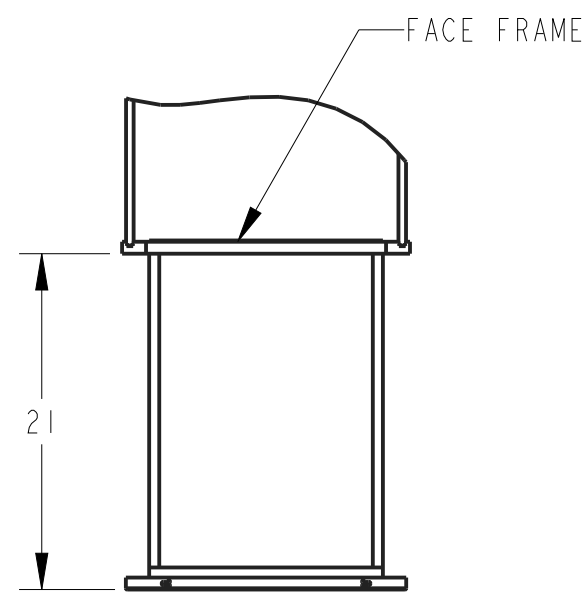
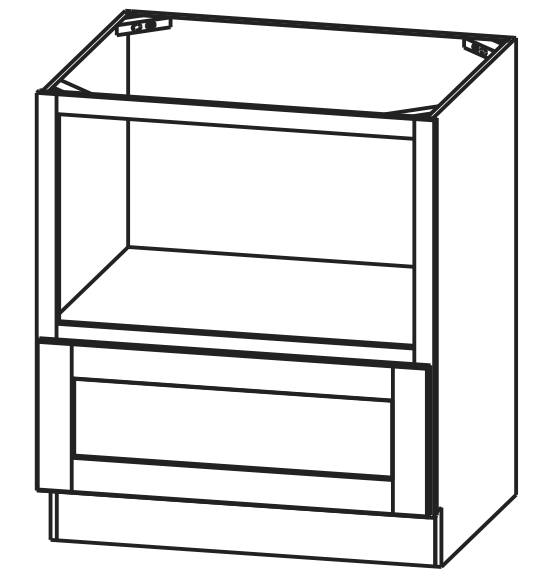
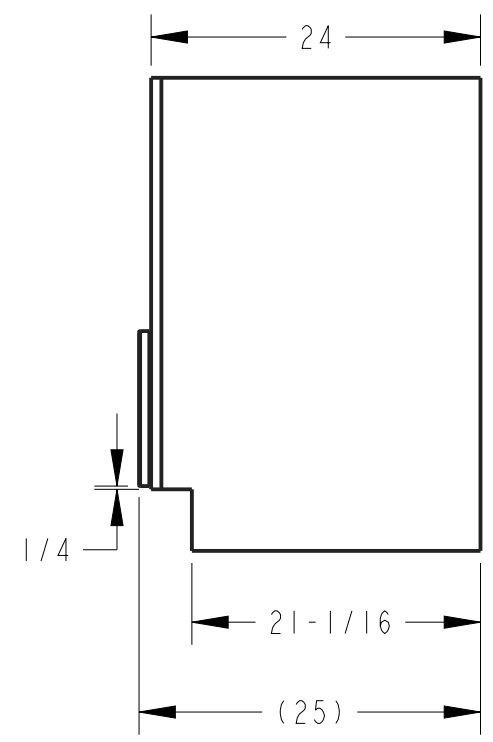
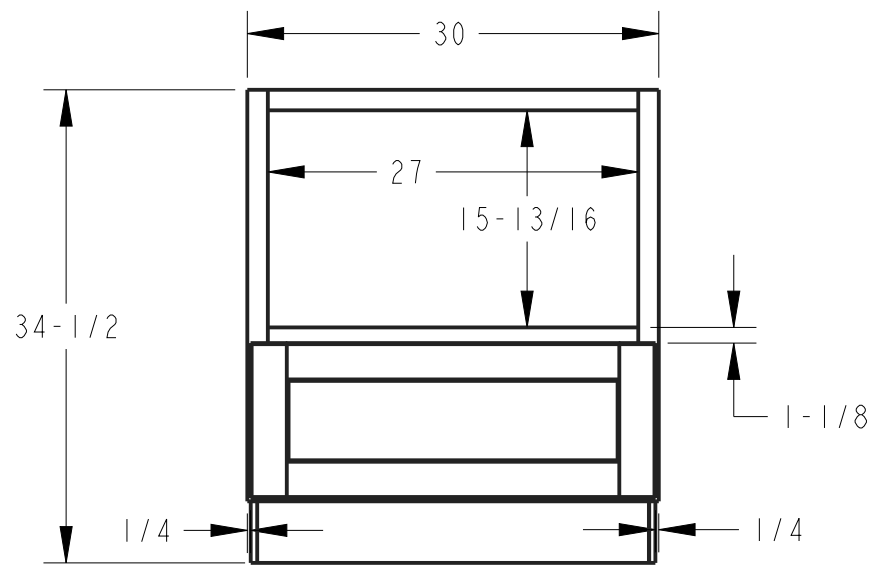


| | | |
|-----------------------------|---|----------|
| DRAWER FRONT SIZE | | |
| ROUNDED TO THE NEAREST 1/32 | | |
| 29 17/32" | X | 11 5/16" |



OPEN DRAWER

| | | | | |
|----------------------------|---------------|---------------------------|--------------------------------------|----------------|
| THIRD ANGLE PROJECTION | | hardware resources | | |
| MATERIAL N/A | FINISH N/A | | | |
| DRAWN BY ANDY BROWN | | DATE 30MAR2020 | DRAWING NUMBER MWB30_FULL_OVERLAY | |
| DESIGNED BY NORTHPOINT | | DATE | REV A | |
| APPROVED BY GREG DAVIS | | DATE 22APR2020 | SIZE A3 | SCALE 0.071 |
| | | | SHEET 1 / 1 | |

DOCUMENT STATUS **Released**

HARDWARE RESOURCES RESERVES THE RIGHT TO CHANGE SPECIFICATIONS WITHOUT NOTICE.
IN CASE OF A DISCREPANCY, ACTUAL PART GEOMETRY SUPERSEDES THIS DOCUMENT.

THE INFORMATION CONTAINED WITHIN THIS DRAWING IS THE SOLE PROPERTY OF HARDWARE RESOURCES INC. ANY REPRODUCTION IN PART OR WHOLE WITHOUT WRITTEN PERMISSION OF HARDWARE RESOURCES INC. IS PROHIBITED.