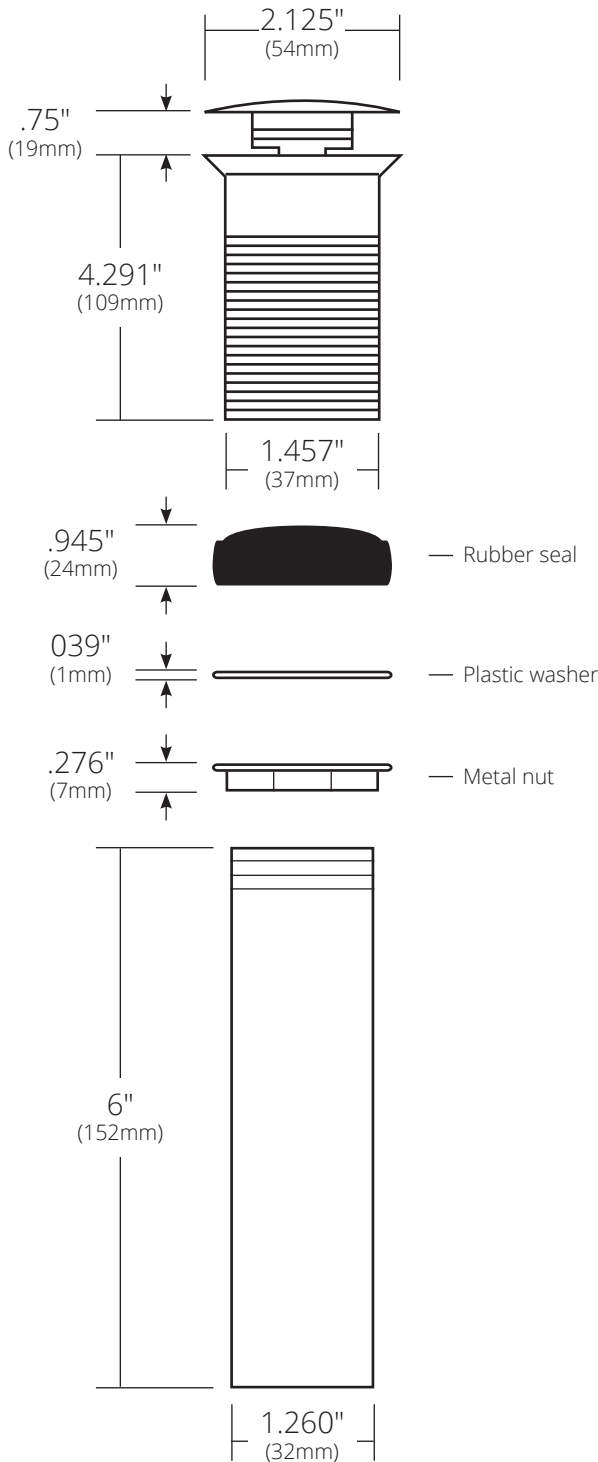


*SPECIFICATIONS*

**1.5" PUSH TO SEAL DOME DRAIN**

*Lavatory*



- DR130-BG Brushed Gold PVD
- DR130-BN Brushed Nickel
- DR130-CB Champagne Bronze PVD
- DR130-CH Polished Chrome
- DR130-GM Gunmetal
- DR130-MB Matte Black
- DR130-ORB Oil Rubbed Bronze
- DR130-PN Polished Nickel PVD
- DR130-WC Weathered Copper

**PRODUCT DETAILS**

- Fits 1.5" (38mm) drain opening
- Easy operation – push to seal and simply push again to release
- Compression seal closes drain completely for excellent performance
- Elegantly covers entire drain area of basin while also providing for superior water flow
- Maximum threading for easy installation
- All exposed parts are plated
- Overall length when assembled is 9.25" (235mm)
- UPC/cUPC compliant

**COORDINATING PRODUCTS**

- Lavatory basin with 1.5" (38mm) drain opening