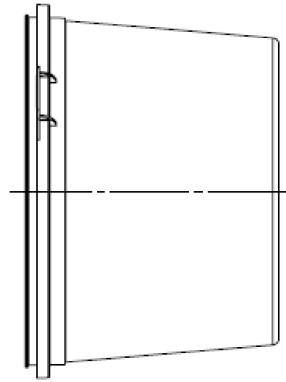
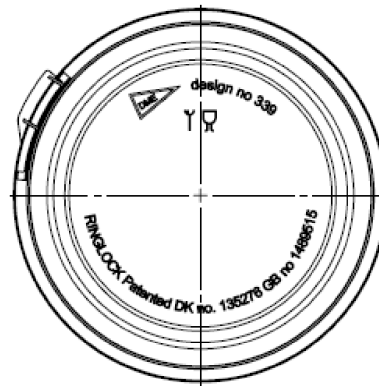


TOP VIEW



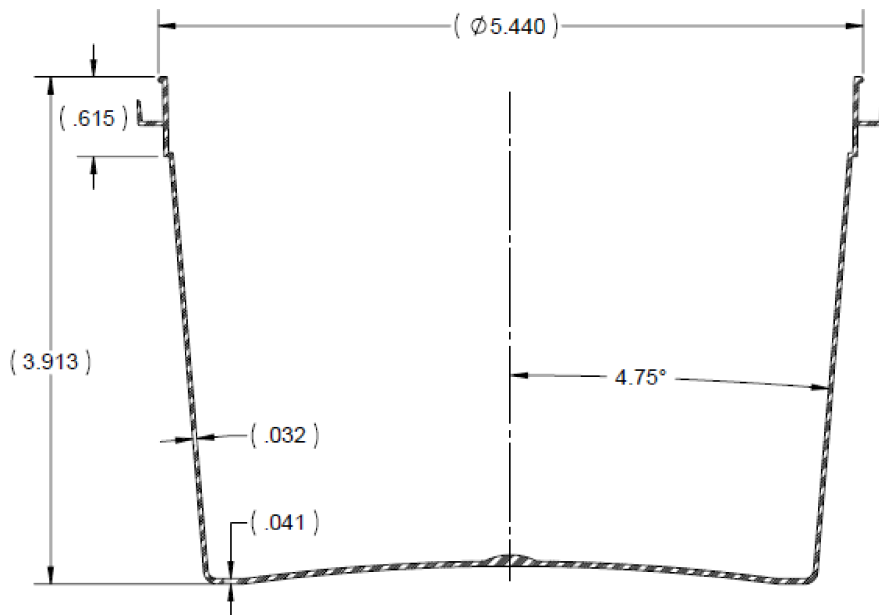
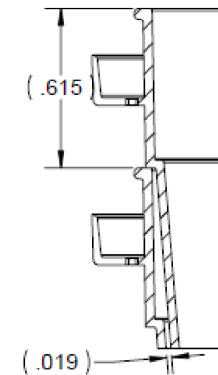
SIDE VIEW



BOTTOM VIEW



NESTING VIEW



SECTION A-A  
SCALE 1 : 1

PART DATA	
RESIN FAMILY	PP
RESIN DENSITY (GRAMS/CUBIC IN)	14.9
ESTIMATED WEIGHT (CAD MODEL GRAMS)	43.6
VOLUME (CUBIC IN)	100.140
OVERFLOW CAPACITY(OZ)	55.5
OVERFLOW CAPACITY(CC & ML)	1640.99
PROJECTED AREA (IN SQ.)	13.2

**DISCLAIMER**

THIS INFORMATION IS PROVIDED AS A GENERAL GUIDE, INCLUDING DIMENSIONS. IT IS THE CUSTOMER'S RESPONSIBILITIES TO SELECT THE PROPER CONTAINER FOR PRODUCT AND APPLICATION COMPATIBILITY.

DISTRIBUTED BY:



REF NO.:

DWG10030

DESCRIPTION:

38.5 oz PP Vapor Lok Tub