









Assembly Instructions

Dahl Round Coffee Table

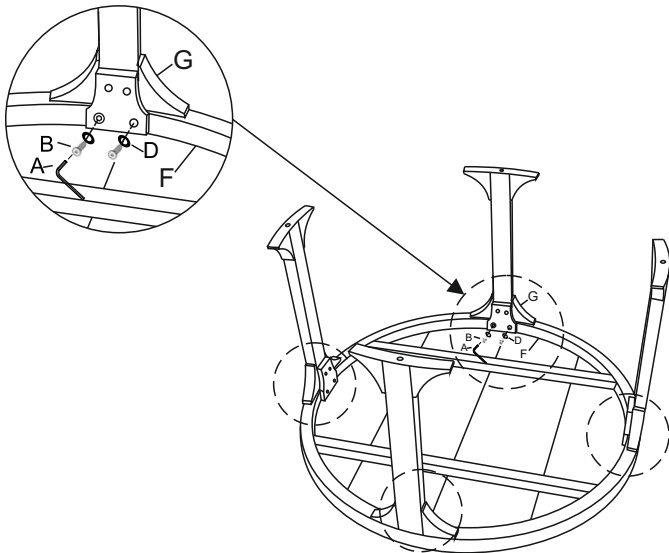
HARDWARE LIST:-

NO.	DESCRIPTION	IMAGE	QTY
A	ALLEN KEY (4mm)		1
B	ALLEN BOLT (6X20mm)		8
C	ALLEN BOLT (6X40mm)		4
D	WASHER		8
E	FOOTPAD		4

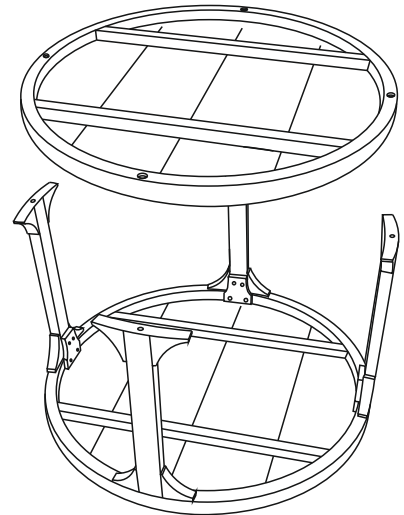
PART LIST:-

NO.	DESCRIPTION	IMAGE	QTY
F	TABLE TOP		1
G	LEGS		4
H	TABLE BOTTOM		1

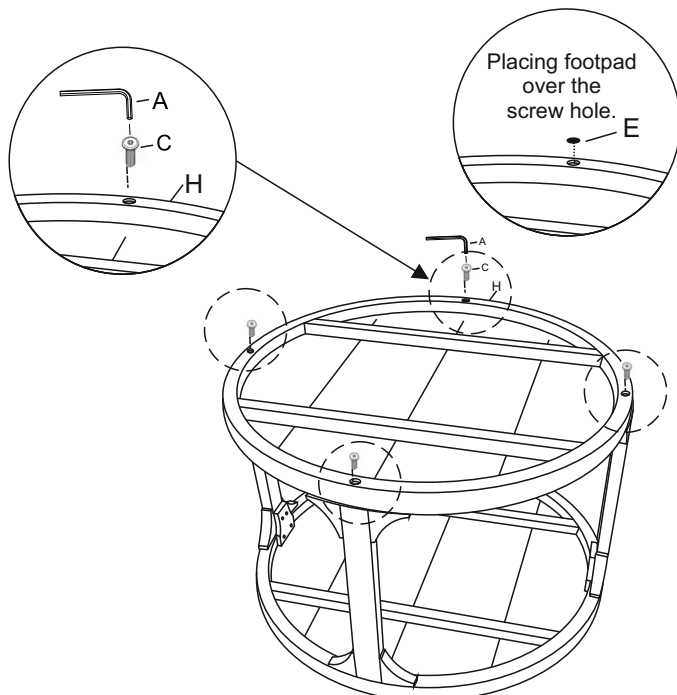
Step :- 1 Do not fully tighten bolts with top.



Step :- 2 After fixing the legs to fix the bottom.



Step :- 3 After fixing the bottom tighten all bolts.



Step :- 4 Ready For Use

