
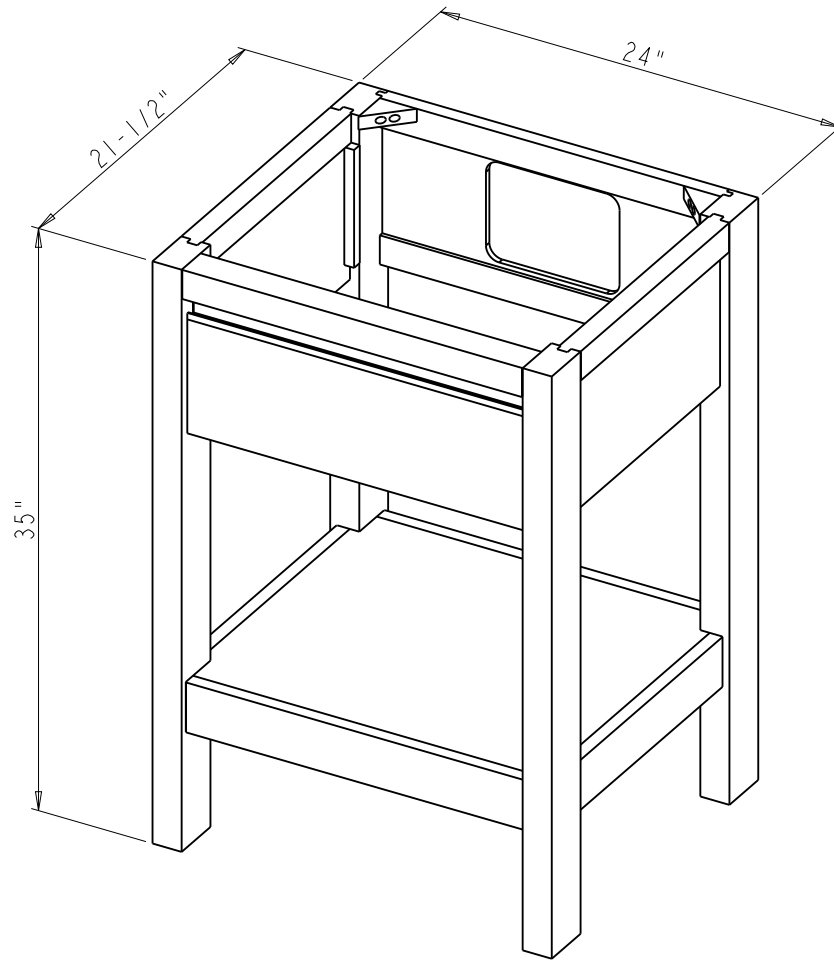



Specification:

1. Finish: See Table
2. Hardware: See Table
3. Hinge: 700.0535.25 + 600.1234.05 (2 set)
4. Lid Stay (1 pcs)
5. The tolerance is +/- 1/8"

Item number	Finish	Deco Hardware	
		Item number	Qty
VN2JUB-24-DW-NT	Dark Walnut	Gola-style hardware-SBZ	1
VN2JUB-24-GR-NT	Grey	Gola-style hardware-MB	1
VN2JUB-24-NO-NT	Natural Oak	Gola-style hardware-MB	1
VN2JUB-24-WG-NT	Weathered Grey	Gola-style hardware-MB	1
VN2JUB-24-WH-NT	White	Gola-style hardware-MB	1

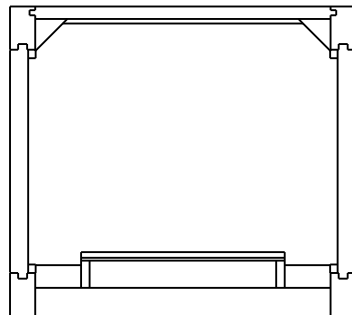
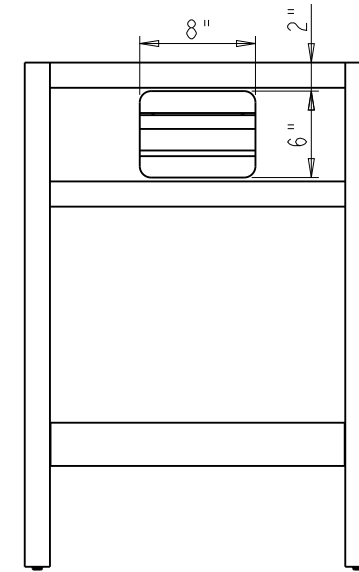
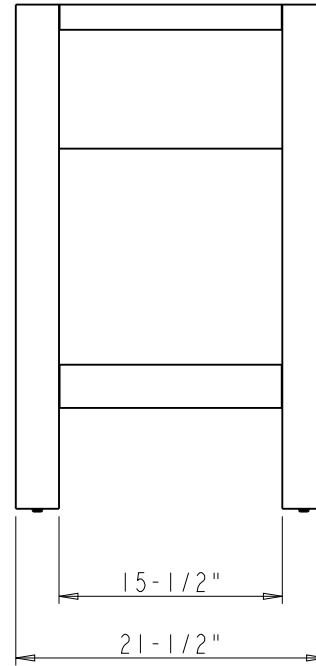
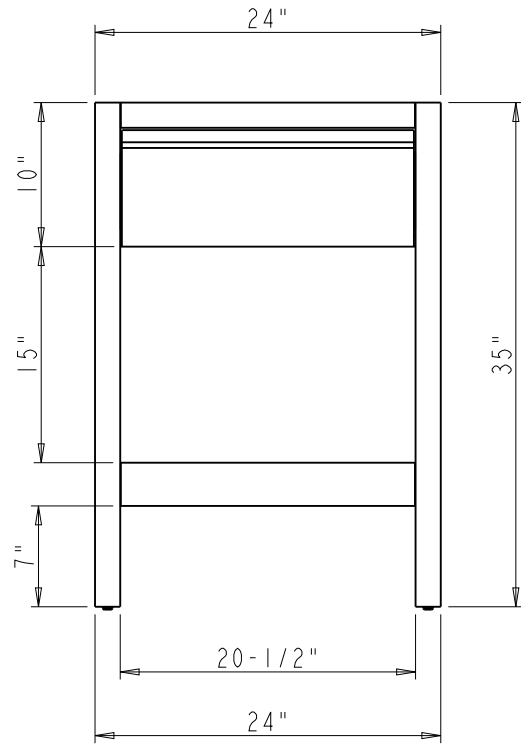
 <p>PROPRIETARY AND CONFIDENTIAL</p> <p>THE INFORMATION CONTAINED IN THIS DRAWING IS THE SOLE PROPERTY OF HARDWARE RESOURCES INC. ANY REPRODUCTION IN PART OR AS A WHOLE WITHOUT THE WRITTEN PERMISSION OF HARDWARE RESOURCES INC. IS PROHIBITED.</p>	ITEM#: VN2JUB-24	MATERIAL:	
	FINISH:	WEIGHT: 9	
	TOLERANCE UNLESS OTHERWISE SPECIFIED: X ±0.20 X.X ±0.10 X.XX ±0.05 ANGULAR: ±0.5°	UNITS: DRAWN BY: <i>Hugo.cai</i>	DATE: Jan-14-23
	DO NOT SCALE DRAWING	APPROVED BY:	REVISION:




 <p>PROPRIETARY AND CONFIDENTIAL</p> <p>THE INFORMATION CONTAINED IN THIS DRAWING IS THE SOLE PROPERTY OF HARDWARE RESOURCES INC. ANY REPRODUCTION IN PART OR AS A WHOLE WITHOUT THE WRITTEN PERMISSION OF HARDWARE RESOURCES INC. IS PROHIBITED.</p>	ITEM:	VN2 JUB - 24		MATERIAL:		
	FINISH:			WEIGHT:	9	
	TOLERANCE UNLESS OTHERWISE SPECIFIED:			UNITS:	DRAWN BY:	DATE:
	X ±0.20 X.X ±0.10 X.XX ±0.05 ANGULAR: ±0.5°			SIZE:	APPROVED BY:	DATE:
DO NOT SCALE DRAWING			SHEET:	RELEASE LEVEL:	REVISION:	



Hugo.cai Jan-14-23



 PROPRIETARY AND CONFIDENTIAL THE INFORMATION CONTAINED IN THIS DRAWING IS THE SOLE PROPERTY OF HARDWARE RESOURCES INC. ANY REPRODUCTION IN PART OR AS A WHOLE WITHOUT THE WRITTEN PERMISSION OF HARDWARE RESOURCES INC. IS PROHIBITED.	ITEM#: VN2JUB - 24		MATERIAL:		
	FINISH:		WEIGHT:		
	TOLERANCE UNLESS OTHERWISE SPECIFIED: X ±0.20 X.X ±0.10 X.XX ±0.05 ANGULAR: ±0.5°		UNITS:	DRAWN BY: <i>Hugo.cai</i>	DATE: Jan-14-23
	DO NOT SCALE DRAWING		SIZE:	APPROVED BY:	DATE:
		SHEET:	RELEASE LEVEL:	REVISION:	

