

ASSEMBLY INSTRUCTION

E306D(MTL) DINING TABLE

A Allen Wrench **B** Bolt **C** Bolt **D** Lock Washer **E** Flat Washer



1pc



4 pcs



11pcs

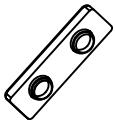


15pcs

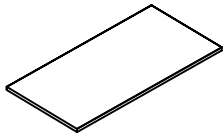


15pcs

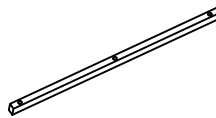
F Wood Block **G** Table Top **H** Support Bar **I** Connecting Bar **J** Leg



2pcs



1pc



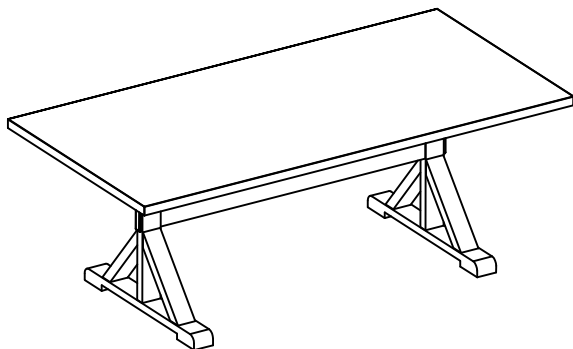
1pc



1pc

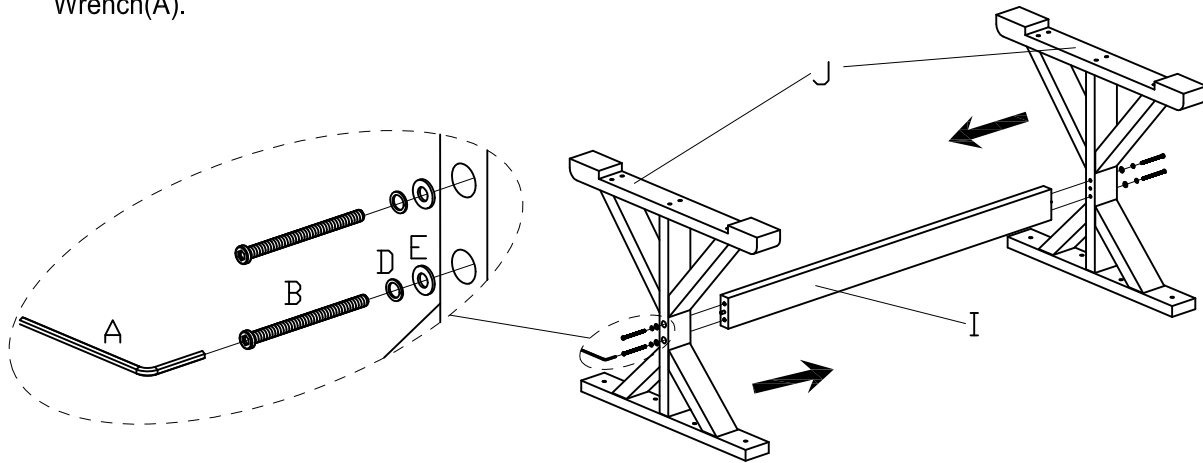


2pcs

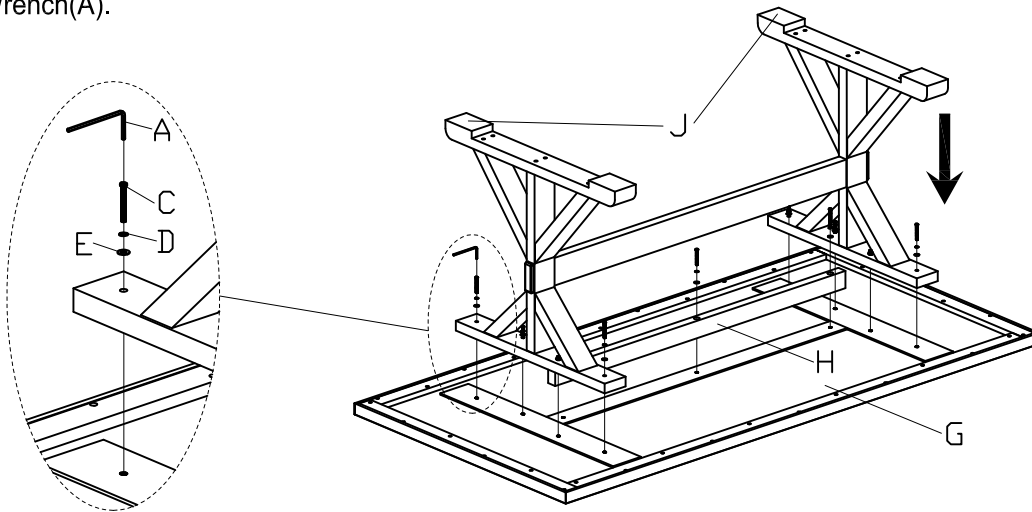


This page lists all the contents included in the box. Please take the time to identify the hardware as well as the individual components to this product. As you unpack and prepare for assembly, place the contents on a carpeted or padded area to protect them from damage.

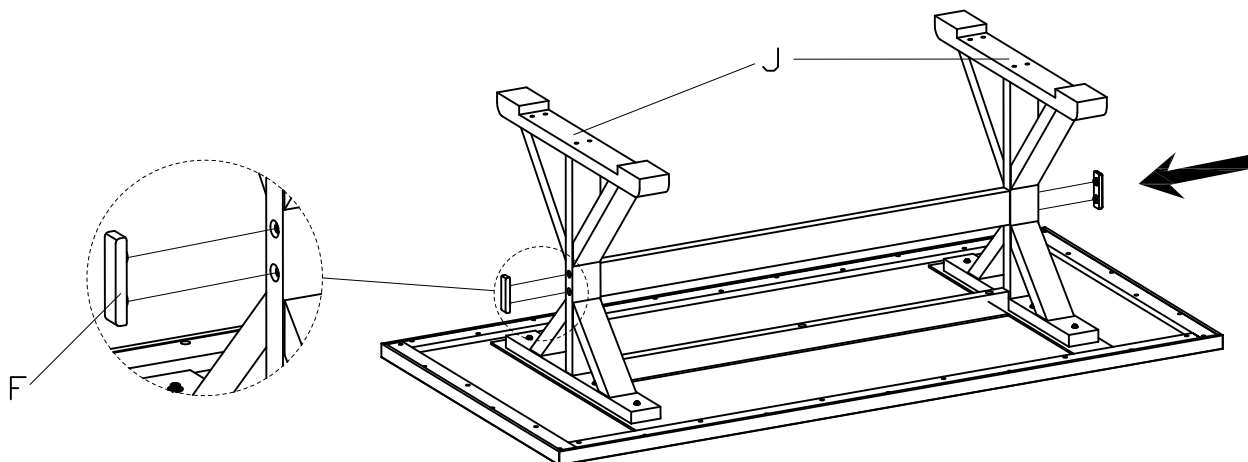
- 1** Connected the 2pcs Legs(J) and Connecting Bar(I), using Bolt(B), Lock Washer(D), Flat Washer(E) by Allen Wrench(A).



- 2** Attached the Leg(J) and Support Bar(H) on Table Top(G), using Bolt(C), Lock Washer(D) and Flat Washer(E) by Allen Wrench(A).



- 3** Attached the Wood Block(F) on each Leg(J) side. The assembly is complete.



Cleaning & Care

Treat surface with care. Surface is resistant to scratches but is not scratch resistant. Clean surfaces with a dry or damp soft cloth. Do not use abrasive cleaners. Hardware may loosen over time. Periodically check that all connections are tight.