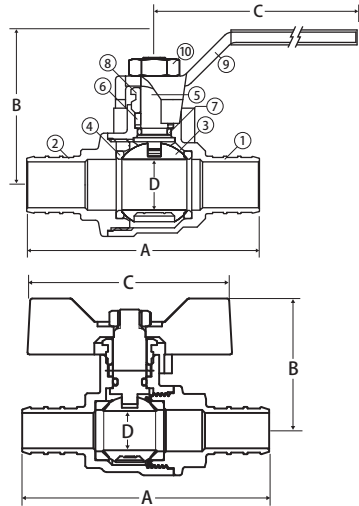


Lead Free Brass Ball Valve

2 Piece, Standard Port, Crimp Pex Connection, 400 CWP

T-412G



FEATURES

- Dezincification Resistant Brass Alloy
- Gland Follower and Single O-Ring Stem Design
- Blow-Out Proof Stem
- 100% Leak Tested
- IAPMO Certified - NSF 61 & NSF 372 & NSF 14
- ASTM F1807
- Wetted Surfaces Contain Less than .25% Lead Content

CERTIFICATIONS/APPROVALS

- ASTM F1807
- IAPMO Certified
 - NSF 61-8
 - NSF 372
 - Uniform Plumbing Code (cUPC)
 - IAPMO/ANSI Z1157-2014
 - NSF/ANSI 14-2014

PRESSURE/TEMPERATURE RATING

Body rated to 400 CWP
Crimp connection rated to 100 CWP up to 180°F

MATERIALS

No.	Part	Material
1	Body	Lead Free Brass - C46500
2	End Connection	Lead Free Brass - C46500
3	Ball	Stainless Steel
4	Seat (2)	PTFE
5	Stem	Lead Free Brass - C46500
6	Packing	PTFE
7	Stem O-Ring	EPDM
8	Packing Gland	Lead Free Brass - C37700
9	Handle	Steel
10	Handle Nut	SS304 Stainless Steel

DIMENSIONS

Part No	Size	A	B	C	D
Lever Handle					
103-523PG	1/2"	2.47	1.5	3.41	0.47
103-524PG	3/4"	2.72	1.57	3.36	0.67
103-525PG	1"	3.27	1.57	3.15	0.86
103-526PG	1-1/4"	3.62	2.16	4.29	0.86
103-527PG	1-1/2"	4.29	2.38	4.29	1.04
103-528PG	2"	5.57	2.64	4.29	1.37
T-Handle					
103-523PG-TH	1/2"	2.47	1.32	2.05	0.47
103-524PG-TH	3/4"	2.72	1.76	2.68	0.67
103-525PG-TH	1"	3.27	1.78	2.68	0.86

WARNING: This product can expose you to chemicals including lead, which is known to the State of California to cause cancer, birth defects or other reproductive harm. For more information go to www.P65Warnings.ca.gov.