

ARDEN UPH BENCH

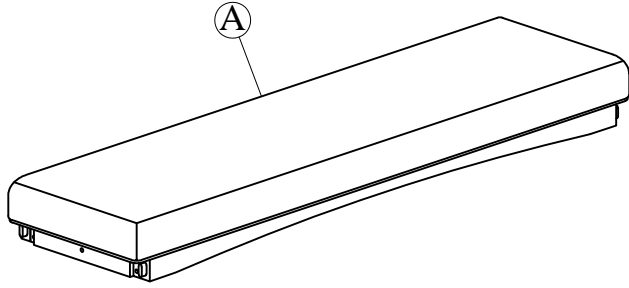
ASSEMBLY INSTRUCTIONS



PARTS PACKING CONFIGURATIONS

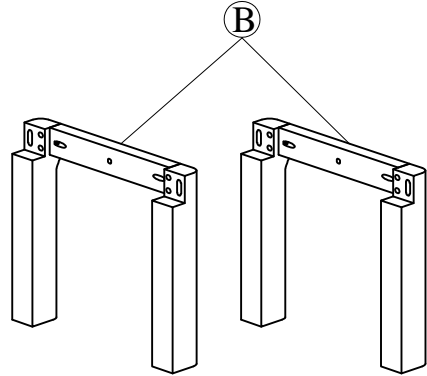
A. SEAT

1 PC

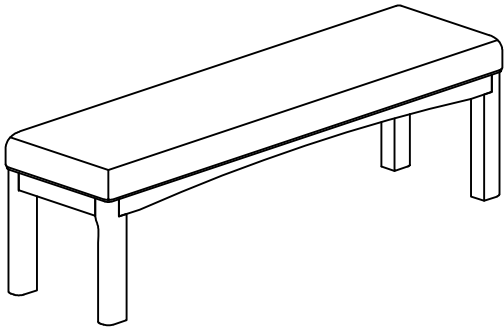


B. LEG

2 PCS



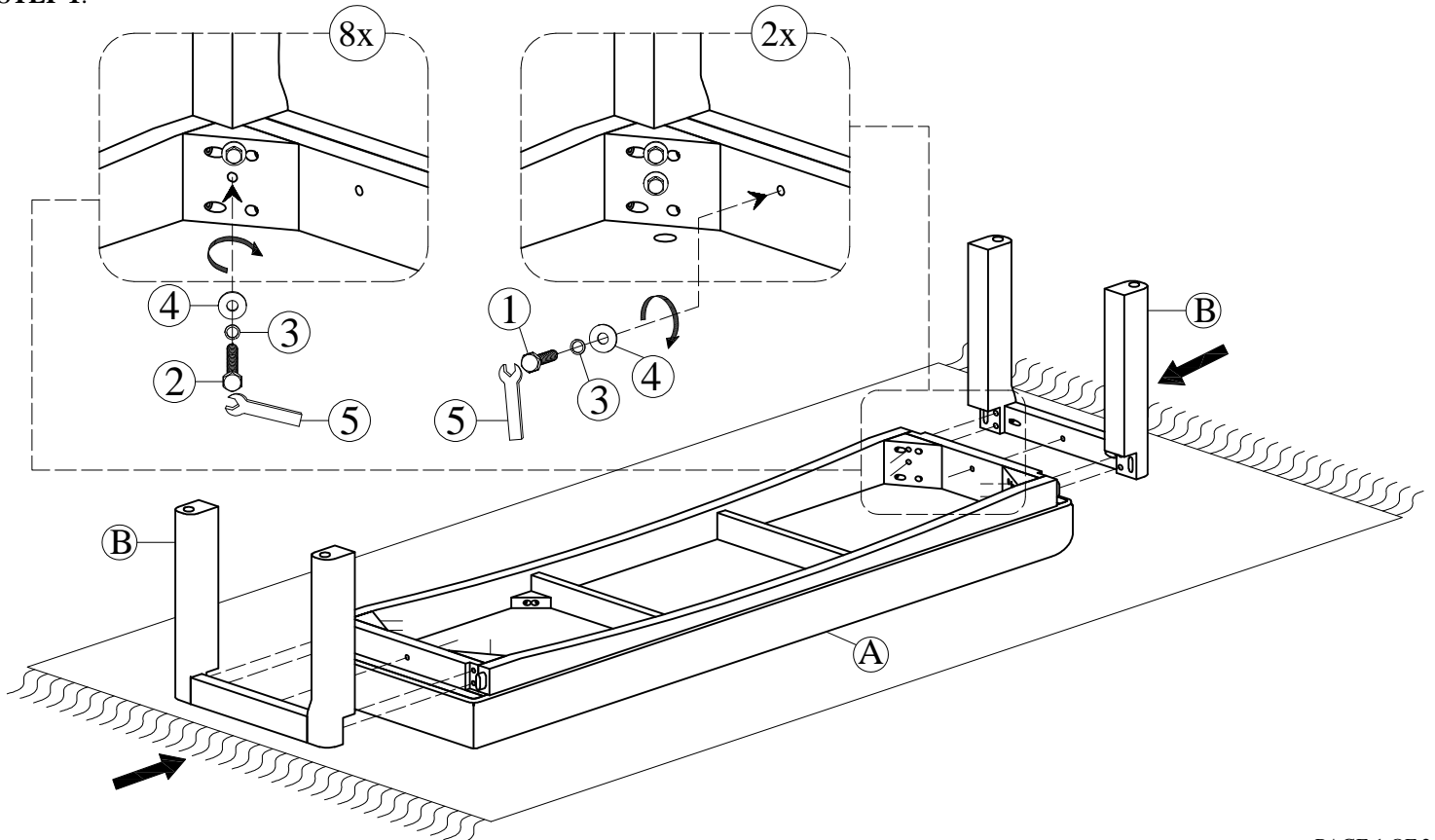
FULLY ASSEMBLED



HARDWARE KIT PACKED IN BOX

No.	Description	Image	Quantity
1	HEX BOLT (8x50mm)		2 PCS
2	HEX BOLT (8x80mm)		8 PCS
3	SPRING WASHER (M9)		10 PCS
4	FLAT WASHER (M9)		10 PCS
5	WRENCH (13mm)		1 PC

STEP 1:



ARDEN UPH BENCH

ASSEMBLY INSTRUCTIONS



STEP 2:

