

Features

Solid brass construction
Complements Taft product series
Lever Handle is ADA compliant when used with Newport Brass valves
Intended for use with: Bidets - Balanced Pressure Shower - Roman Tub Faucets -
Shower Control Valves and Diverters - Wide Spread Faucets - Wall Mounted Faucets

Note: Also intended for use as a replacement Cross Handle Trim assembly for deck
and wall-mounted faucets, tubs and bidets.

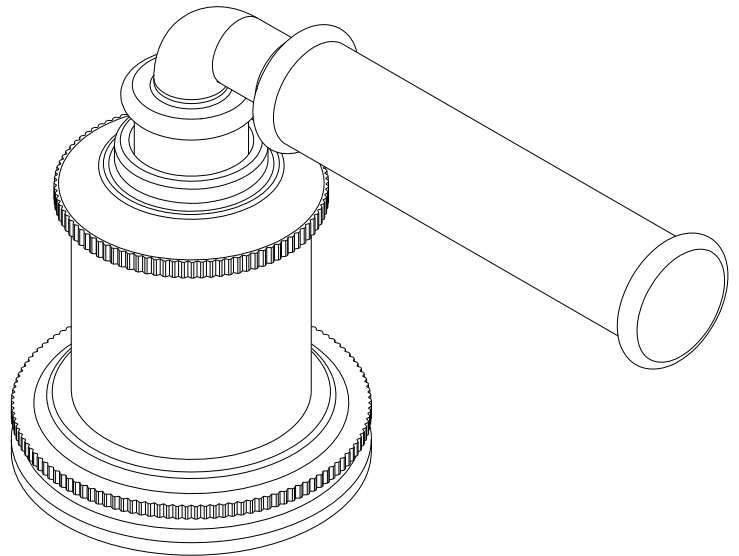
LEVER HANDLE TRIM

3-727

Codes / Standards Compliance

Meets or exceeds the following at date of manufacture:

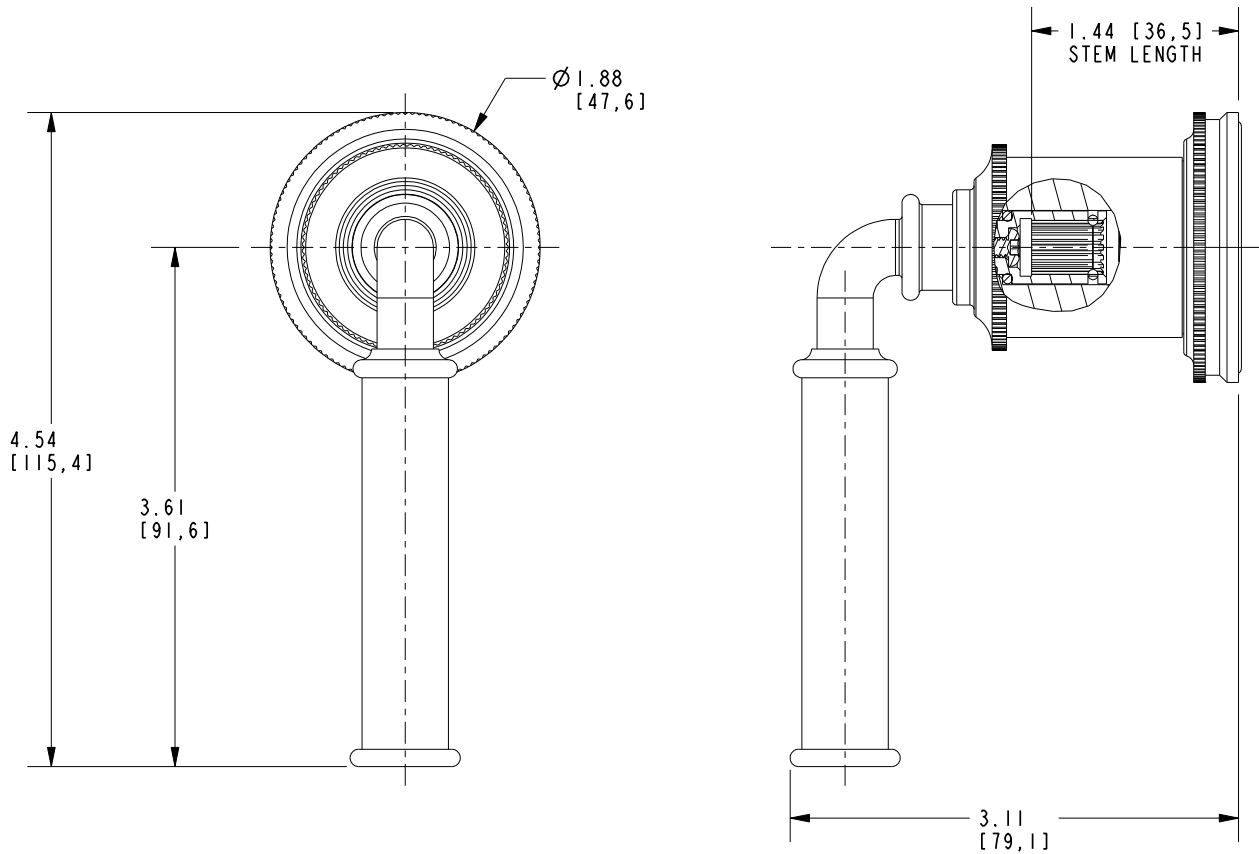
All applicable US Federal and State material regulations



3-727

PRODUCT DIMENSIONS *(Units are in inches)*

Product Dimensions are provided for reference only. For specific product installation guidelines, please reference the Installation Instructions of the product being installed.



LEVER HANDLE TRIM

3-727

Page 2 of 2
EN- 4989
REV B

NEWPORT BRASS
Flawless Beauty. From Faucet to Finish.

t: 949.417.5207 | www.newportbrass.com
©2025 NewportBrass