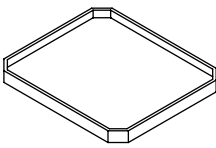
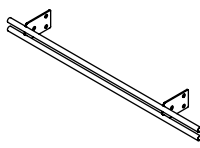
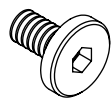
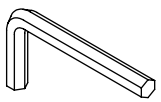
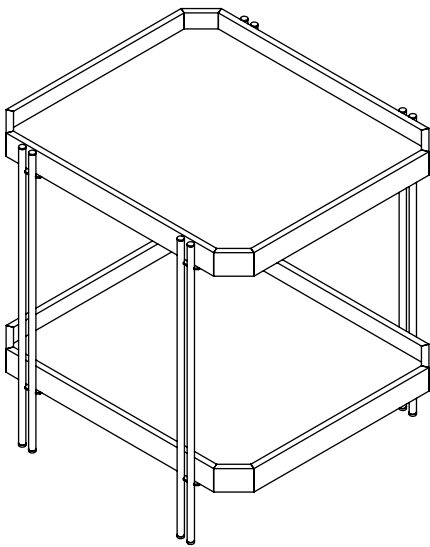


ASSEMBLY INSTRUCTION

CLIPPED CORNER END TABLE

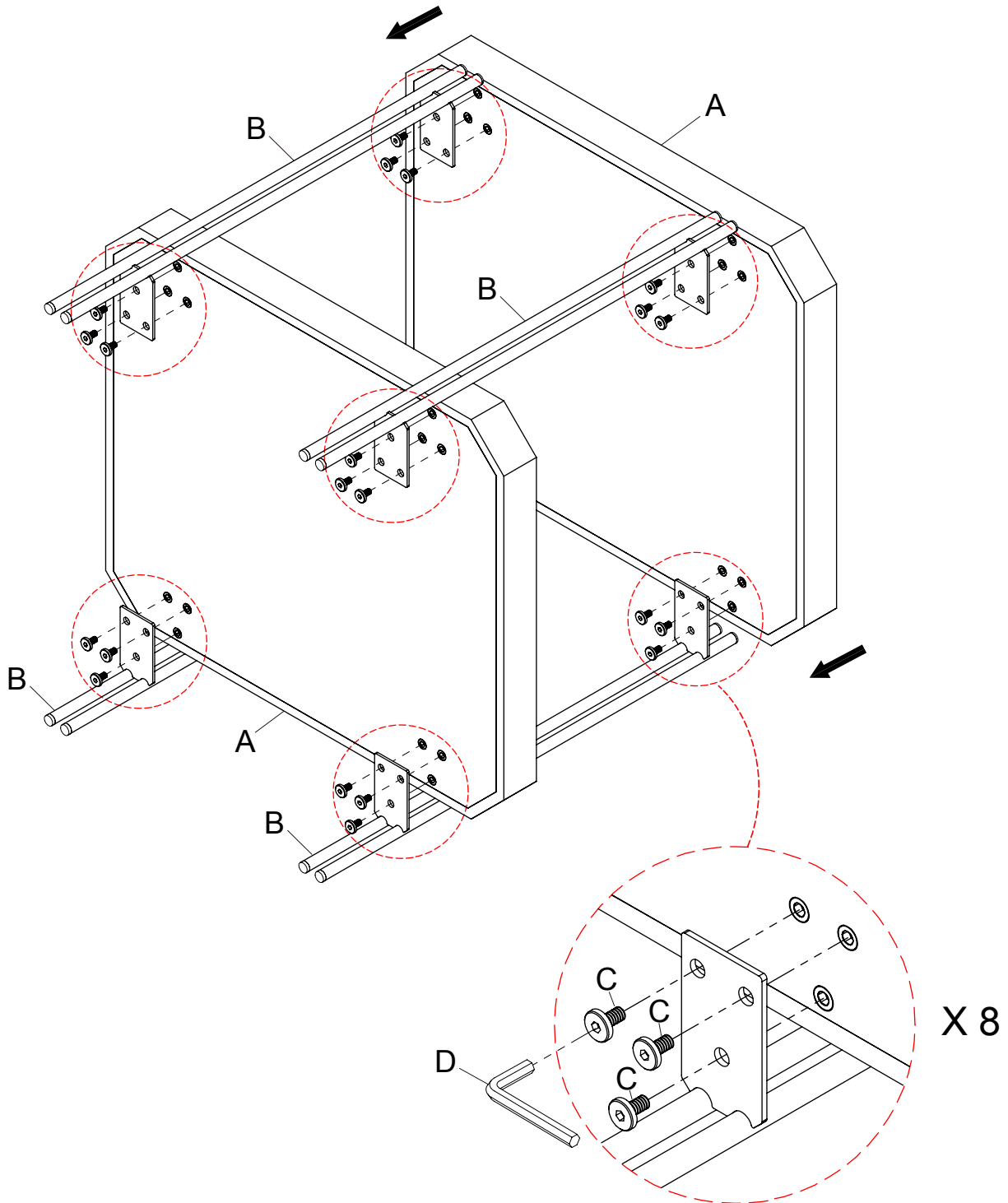
A Tray	B Side Frame	C Bolt 1/4"x1/2"xØ13	D Allen Wrench 4MM
			
2PCS	4PCS	24PCS	1PC



This page lists all the contents included in the box. Please take the time to identify the hardware as well as the individual components to this product. As you unpack and prepare for assembly, place the contents on a carpeted or padded area to protect them from damage.

***Do not tighten screws & bolts until the entire unit is completely assembled.

1 Assemble the Tray (A) to the Side Frame (B), then using the Bolt (C) by Allen Wrench (D).



Cleaning & Care

Treat surface with care. Surface is resistant to scratches but is not scratch resistant. Clean surfaces with a dry or damp soft cloth. Do not use abrasive cleaners. Hardware may loosen over time. Periodically check that all connections are tight.