



Imperator®
65-3/4" x 31" freestanding bath
K-8334

Features

- Freestanding design creates a striking focal point in your bathing area
- 17" (432 mm) depth offers a deep soaking experience
- Integral lumbar support
- Slotted overflow allows for deep soaking
- Center toe-tap drain with KOHLER Lithocast® cover

Material

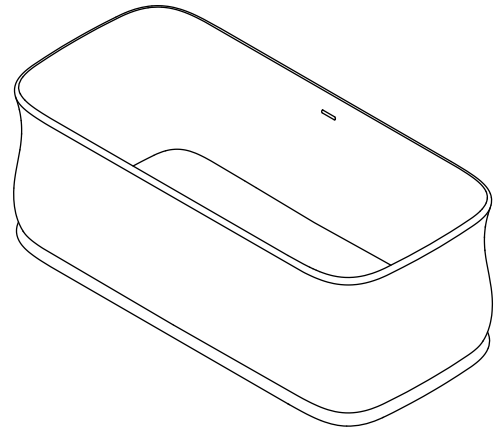
- KOHLER Lithocast® Gloss cast resin

Installation

- Freestanding

Recommended Products/Accessories

K-23726 Drain treatment



Codes/Standards

CSA B45.5/IAPMO Z124

KOHLER® Plastic Baths and Shower Bases Lifetime Limited Warranty

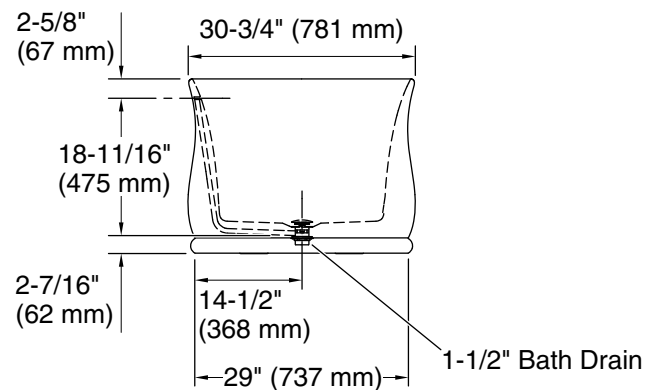
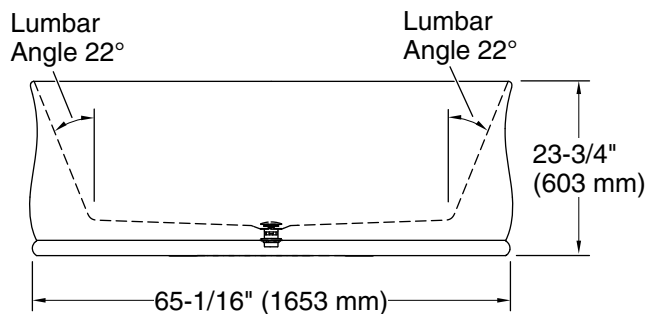
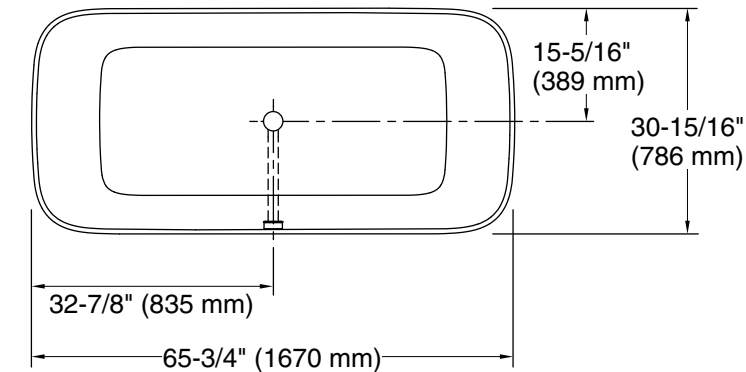
See website for detailed warranty information.

Available Colors/Finishes

Color tiles intended for reference only.

Color Code Description

	0	White
---	---	-------



Technical Information

All product dimensions are nominal.

Drain location:	Center
Basin area, bottom:	50-1/8" x 22-3/8" (1273 mm x 568 mm)
Basin area, top:	64-1/2" x 29-5/8" (1639 mm x 753 mm)
Weight:	360 lbs (163.3 kg)
Minimum floor load:	90.9 lbs/ft ² (443.8 kg/m ²)
Water depth:	16-15/16" (430 mm)
Water capacity:	94.61 gal (358.1 L)
Template:	Footprint, 1314995, not required, not included

Notes

Measure your actual product for rough-in details.

Install this product according to the installation instructions.

The hot water supply should be 70% of the capacity of the bath or greater. Installations will vary.

Allow for 3" (76 mm) diameter of clearance around the drain pipe on finished floor material to prevent drain body interference during installation.