

Engineering Specification

Job Name _____

Contractor _____

Job Location _____

Approval _____

Engineer _____

Contractor's P.O. No. _____

Approval _____

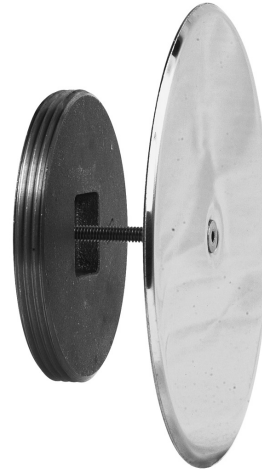
Representative _____

Tag _____

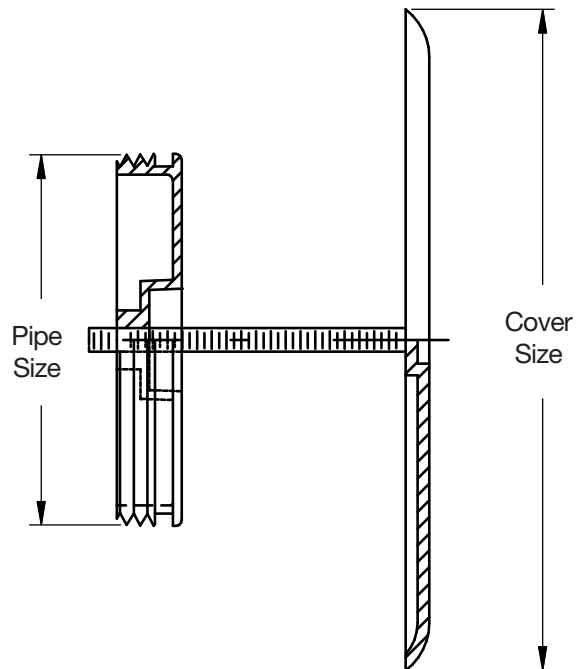
CO-590-RD Wall Cleanout with Brass Plug, Stainless Steel Cover

Specification

Watts CO-590-RD threaded brass cleanout plug with countersunk head, stainless steel access cover and vandal proof stainless steel screw.



Pipe & Cover Size			
Suffix	Description	Suffix	Description
1.5	1 1/2"(38) Pipe Size	5	5"(127) Cover Size
2	2"(51) Pipe Size	5	5"(127) Cover Size
3	3"(76) Pipe Size	7	7"(178) Cover Size
4	4"(102) Pipe Size	7	7"(178) Cover Size
5	5"(127) Pipe Size	8	8"(203) Cover Size
6	6"(152) Pipe Size	8	8"(203) Cover Size



NOTICE

The information contained herein is not intended to replace the full product installation and safety information available or the experience of a trained product installer. You are required to thoroughly read all installation instructions and product safety information before beginning the installation of this product.

Watts product specifications in U.S. customary units and metric are approximate and are provided for reference only. For precise measurements, please contact Watts Technical Service. Watts reserves the right to change or modify product design, construction, specifications, or materials without prior notice and without incurring any obligation to make such changes and modifications on Watts products previously or subsequently sold.

