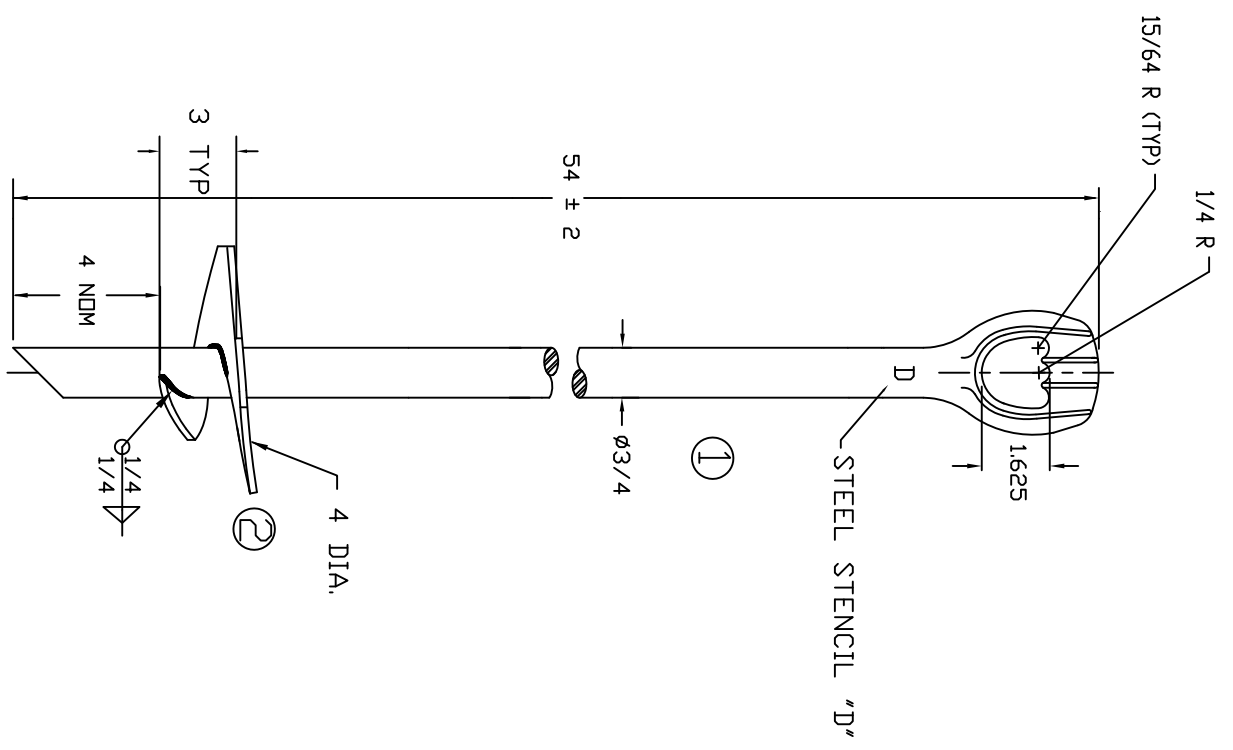
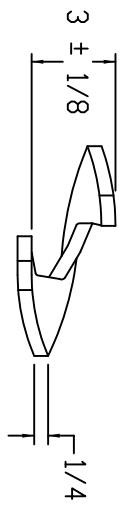


REVISIONS			
NO.	DATE	DESCRIPTION	BY
			OKD



- NOTES:
1. ALL DIMENSIONS ARE REFERENCE AND ARE IN INCHES, EXCEPT AS NOTED
 2. HOT DIP GALVANIZED (ASTM A-123) AFTER WELDING HELIX



ITEM	PART NO.	CATALOG NO.	DESCRIPTION	QTY
1	P11456	>D-6524	WELD NVAL, 3/4"	1

CATALOG NO.	J6524WCA
-------------	----------

DRAWING NUMBER:
F614900

SHEET NAME:
Sheet 1

DRAWING DESCRIPTION:
FORGED TRIPLEYE
.750 DIA. 1 HELIX

DRAWN BY: DH

MacLean
POWER SYSTEMS

WWW.MACLEANPOWER.COM

This drawing contains confidential information that is the property of MacLean Power, LLC. (MacLean). Use of MacLean's confidential information without MacLean's express written consent is strictly prohibited and may expose you to legal liability. If you believe that you received this material in error, please destroy it or return it to MacLean Power, LLC, Kingsley Park Five, 481 Munn Rd, Suite 300, Fort Mill, SC 29715, USA.

TOLERANCES UNLESS SPECIFIED	
XXX	INCH
XXX	±.031
ANGLE	±1°

PAPER SIZE	A	DRAWING NUMBER	F614900
ISS	REVISED BY:	REVISION DATE	ECO #