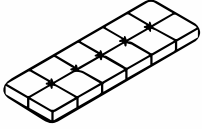


ASSEMBLY INSTRUCTION

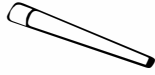
BENCH

A Top Panel



1PC

B Leg



4PCS

C Bolt
5/16"X2-1/2"



8PCS

D Lock Washer
5/16"



8PCS

E Flat Washer
5/16"X19mm



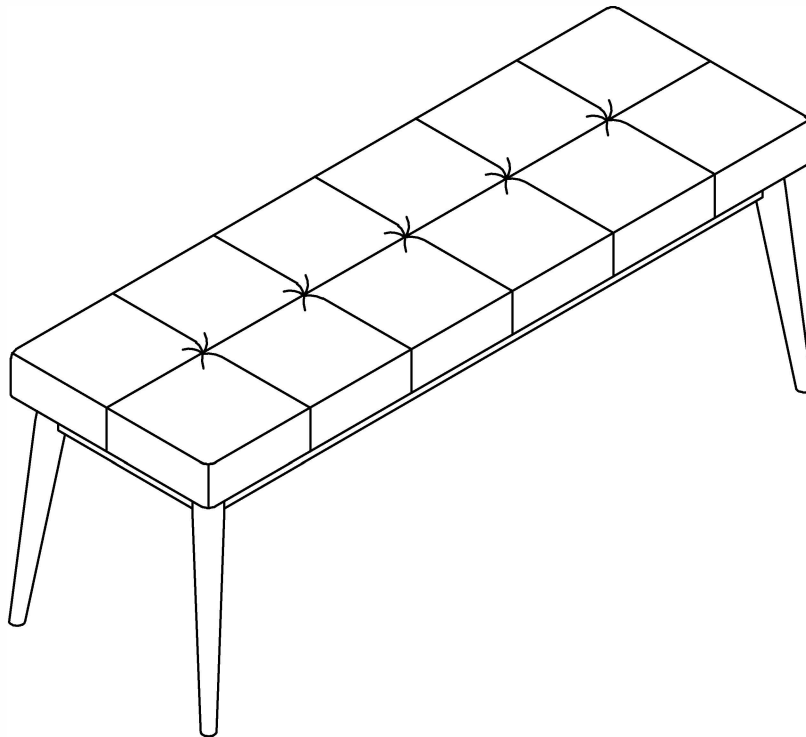
8PCS

F Allen Key
5mm

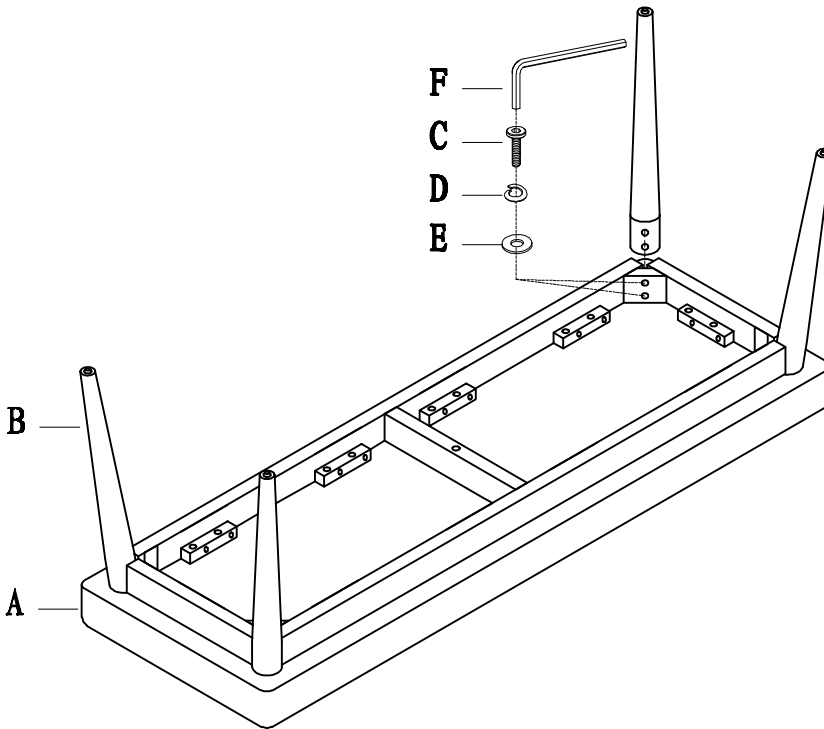


1PC

This page lists all the contents included in the box. Please take the time to identify the hardware as well as the individual components to this product. As you unpack and prepare for assembly, place the contents on a carpeted or padded area to protect them from damage.



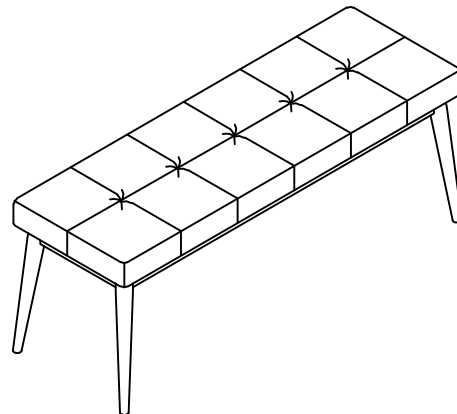
1 Attach the Leg(B) to Top Panel(A) by using Bolt(C), Lock Washer(D), Flat Washer(E) with Allen Key(F).



Take the Allen Key, and turn the bolts until the legs are secure. **DO NOT TIGHTEN COMPLETELY.** Stop when you feel you are adding force to tighten the bolt.

2 Complete Assembly.

Stand bench up on an even surface and check that it is balanced. If there is a slight wobble, apply downward pressure in the corner where a leg is uneven. Keeping pressure in that corner, tighten all bolts. If balanced, apply downward pressure evenly in the center and tighten all bolts. Do not over-tighten beyond hole depth.



Helpful Tip:

- Instead of applying downward pressure while reaching under to tighten bolts, have someone sit on the bench while you tighten the bolts.

Cleaning & Care

Treat surface with care. Surface is resistant to scratches but is not scratch resistant. Clean surfaces with a dry or damp soft cloth. Do not use abrasive cleaners. Hardware may loosen over time. Periodically check that all connections are tight.