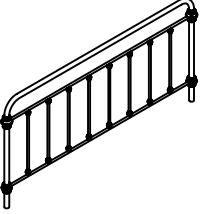
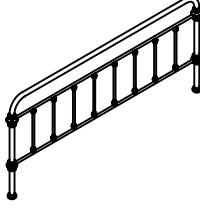

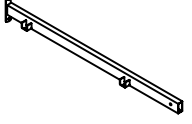
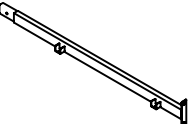
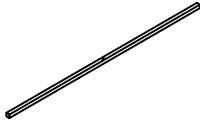
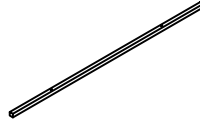
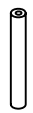



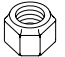


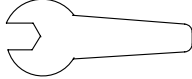

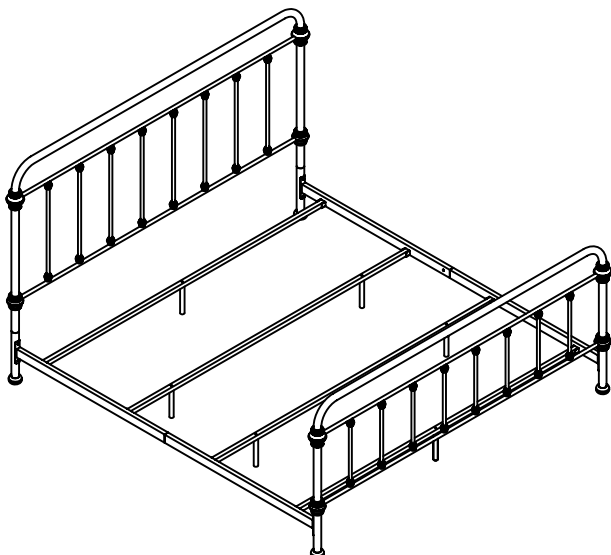


# ASSEMBLY INSTRUCTION

## 8 SPINDLES METAL EASTERN KING BED

<b>A</b> Headboard  1pc	<b>B</b> Footboard  1pc	<b>C</b> Extension Leg  2pcs	<b>D</b> Side Rail - Front  2pcs
<b>E</b> Side Rail - Rear  2pcs	<b>F</b> Slats - Front / Rear  2pcs	<b>G</b> Slats - Center  2pcs	<b>H</b> Support Leg  6pcs
<b>I</b> Bolt 1/4", 57mm  4pcs	<b>J</b> Bolt 1/4", 44mm  6pcs	<b>K</b> Bolt 1/4", 19mm  22pcs	<b>L</b> Nut 1/4"  4pcs
<b>M</b> Flat Washer ø16mm  32pcs	<b>N</b> Allen Wrench 4x4mm  1pc	<b>O</b> Wrench 11.3mm  1pc	<b>P</b> EVA Pad  6pcs

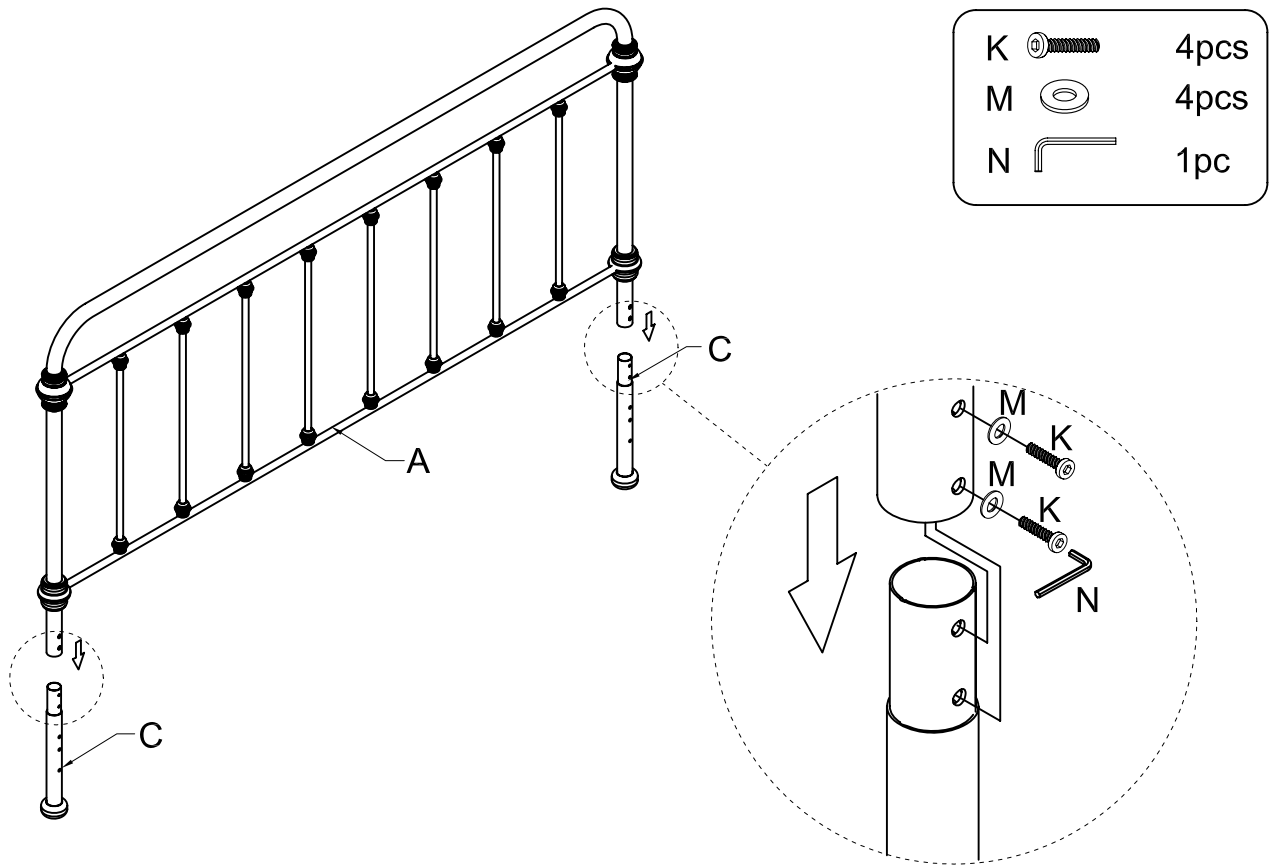


This page lists all the contents included in the box. Please take the time to identify the hardware as well as the individual components to this product. As you unpack and prepare for assembly, place the contents on a carpeted or padded area to protect them from damage.

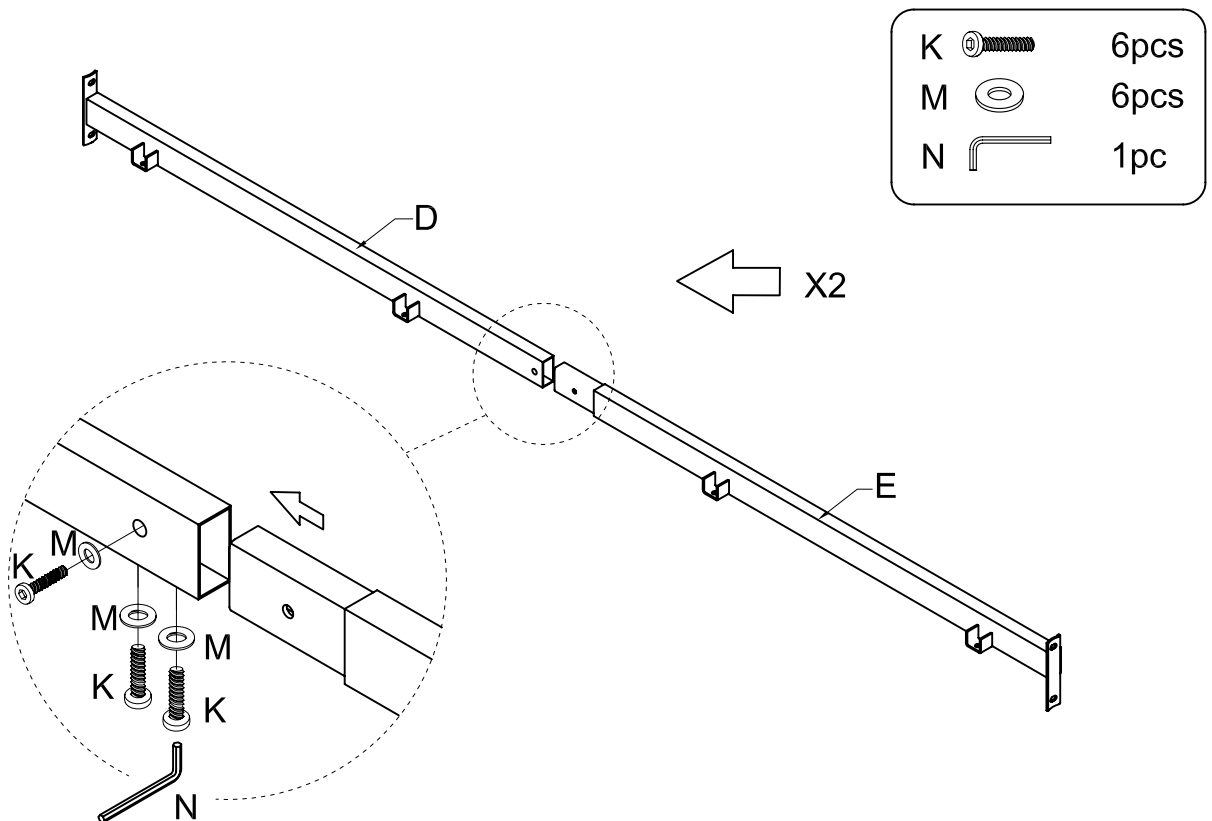
### **ASSEMBLY**

Do not fully tighten all bolts until assembly is complete. This will help all parts to assemble properly.

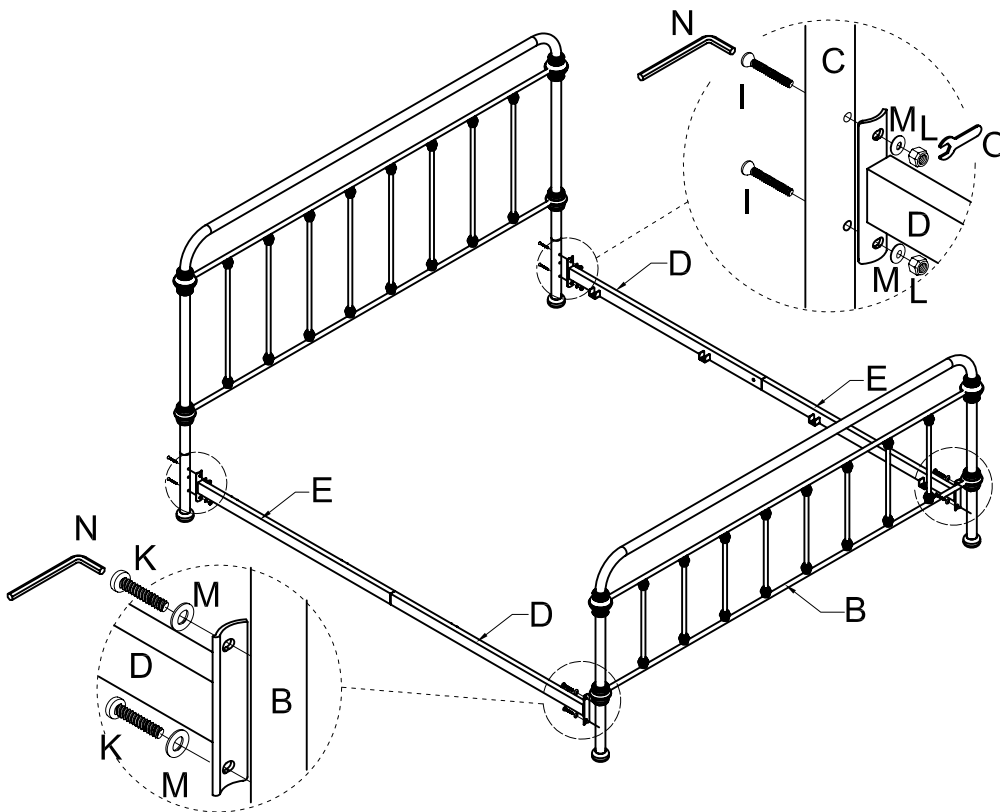
**1** Assemble the headboard (A) to the extension leg (C) with 4pcs bolts (K) and 4pcs flat washer (M), then fastened using allen wrench (N).



**2** Assemble the side rail - front (D) to the side rail - rear (E) with 6pcs bolts (K) and 6pcs flat washer (M), then fastened using allen wrench (N).

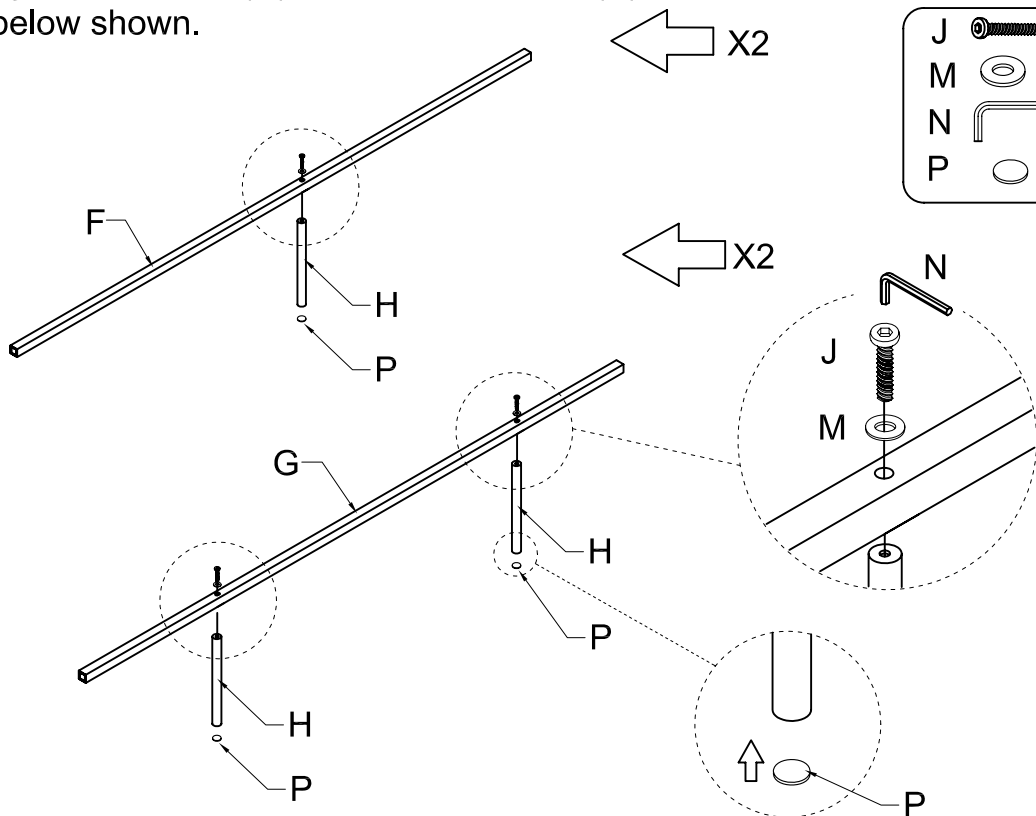


**3** Assemble the side rail (D & E) to the extension leg (C) and the footboard (B) with 4pcs bolts (I), 4pcs bolts (K), 4pcs nuts (L), and 8pcs flat washer (M), then fastened using allen wrench (N) and wrench (O).



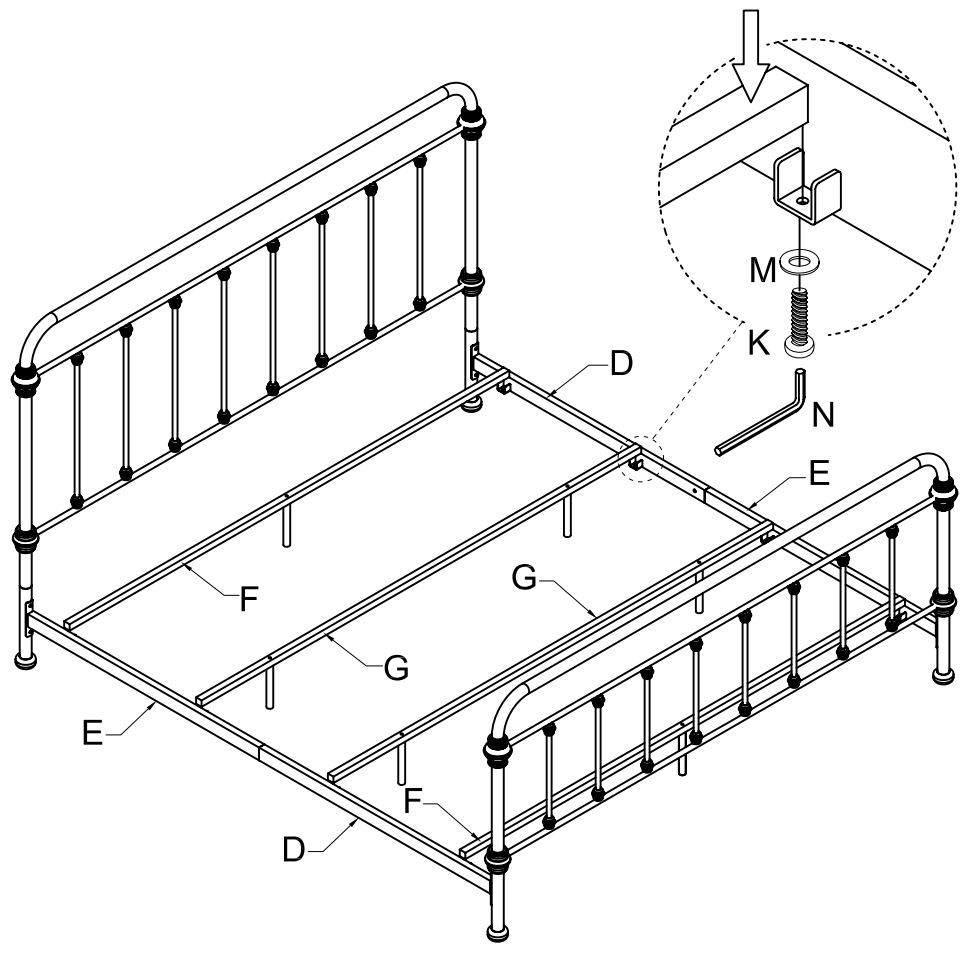
I		4pcs
K		4pcs
L		4pcs
M		8pcs
N		1pc
O		1pc



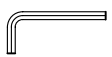
**4** Assemble the slats - front / rear (F) and slats - center (G) to the support leg (H) with 1pc bolt (J) and 1pc flat washer (M) for each support leg (H), then fastened using allen wrench (N). Stick the EVA Pad (P) to the bottom of the support Leg (H) as below shown.



J		6pcs
M		6pcs
N		1pc
P		6pcs

**5** Assemble the slats - front / rear (F) and slats - center (G) to the side rail (D & E) with 1pc bolt (K), 1pc flat washer (M) for each end of slats - front / rear (F) and slats - center (G), then fastened using allen wrench (N).



K		8pcs
M		8pcs
N		1pc

**! WARNINGS:**

- Do not remove warning label from bed.
  - Use only mattress which is 79"-80" long and 77"-78" wide.
  - Do not allow horseplay or under the bed and prohibit jumping on the bed.
  - Periodically check and ensure that all the components are in their proper position, free from damage, and that all connectors are tight.
  - Do not use substitute parts, contact the store for replacement part.
  - Maximum total loading weight is not to exceed 600 lbs.
- Keep these instructions for future reference.**

**Cleaning & Care**

Treat surface with care. Surface is resistant to scratches but is not scratch resistant. Clean surfaces with a dry or damp soft cloth. Do not use abrasive cleaners. Hardware may loosen over time. Periodically check that all connections are tight.