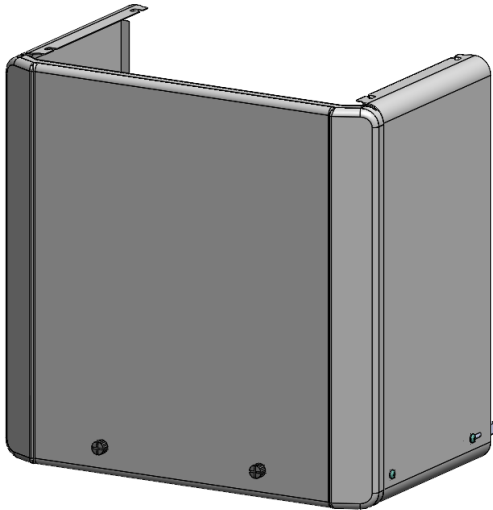
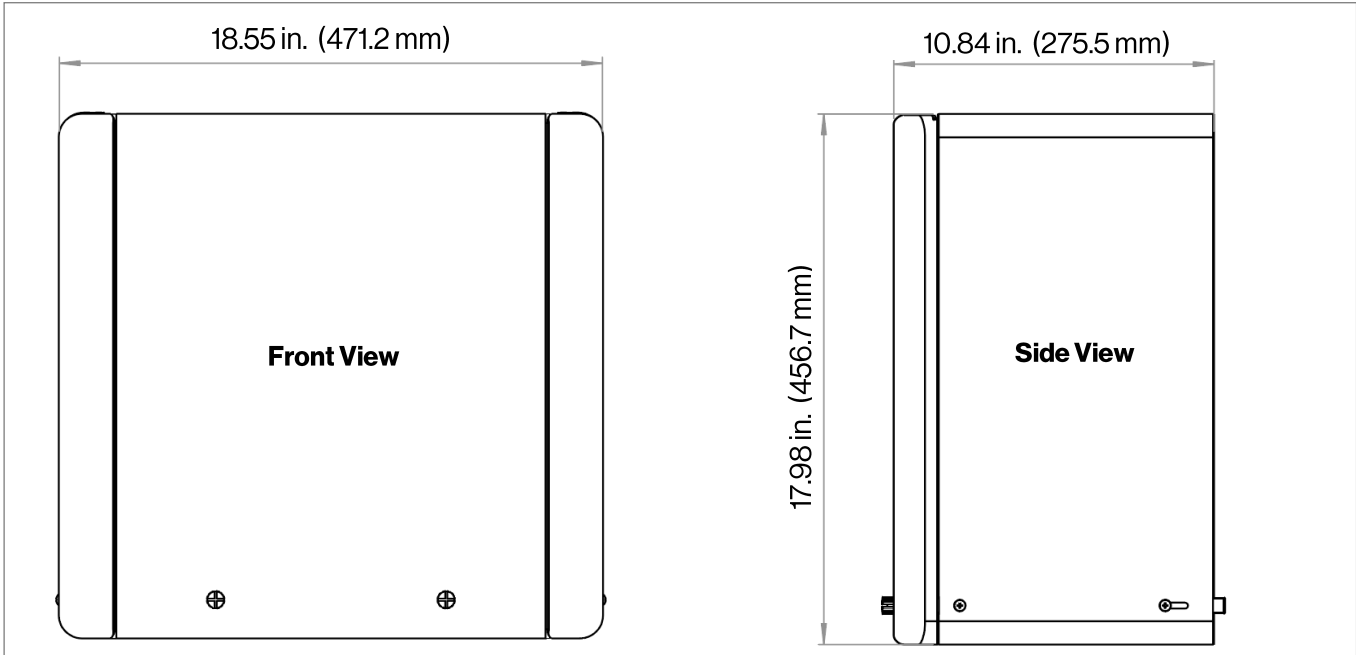


Pipe Cover Enclosure Part Numbers: PCD11-SHS & PCD11-IB



The PCD11-SHS and PCD11-IB Pipe Cover encloses the piping below the Rinnai tankless water heater (applicable models) for aesthetic purposes.

SENSEI® RX/RXP:	
For Use with Rinnai Tankless Water Heater Models	<ul style="list-style-type: none"> • SENSEI® RX: RX199i, RX180i, RX160i, RX130i • SENSEI® RXP: RXP199i, RXP160i
Part Number	PCD11-SHS
Color	Silver
SENSEI® CX/CXP:	
For Use with Rinnai Tankless Water Heater Models	<ul style="list-style-type: none"> • SENSEI® CX: CX199i, CX160i, • SENSEI® CXP: CXP199i, CXP160i
Part Number	PCD11-IB
Color	Black
All Models:	
Installation Type	Indoor and Outdoor Applications
Product Weight	7 lb (3.2 kg)
Material	Galvanized Steel
Items Included with Purchase (Assembly Required)	<ul style="list-style-type: none"> • Front Panel and Bracket • Right Side Panel • Left Side Panel • Rear Bracket • Assembly Hardware • Wall Anchors and Screws • Installation Instructions
Tools Required (Field-Supplied)	<ul style="list-style-type: none"> • Phillips Head Screwdriver • Drill



RINNAI.US | RINNAI.CA 1-800-621-9419