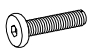


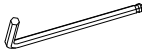
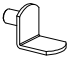


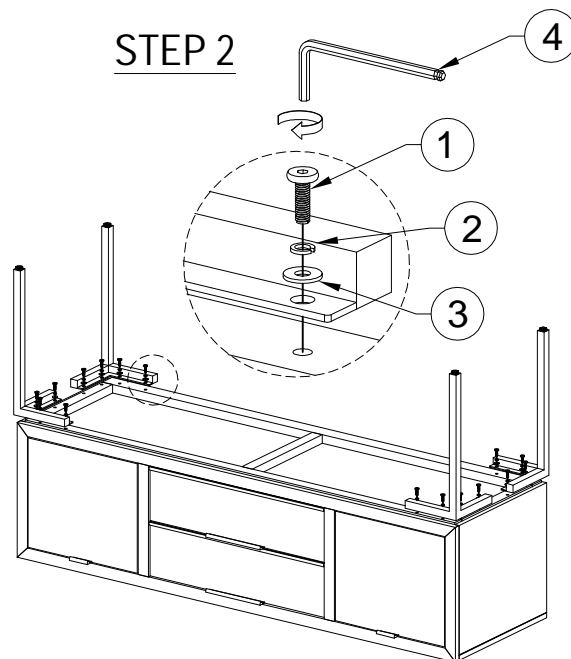
HEKMAN[®]

A HOWARD MILLER COMPANY

ASSEMBLY INSTRUCTIONS FOR 25326 SIDE BOARD

HARDWARE LIST

| NO. | ITEM | DESCRIPTION | QTY | NO. | ITEM | DESCRIPTION | QTY |
|-----|---|-----------------|-----|-----|--|--------------|-----|
| 1 |  | BOLT Ø1/4" x 1" | 16 | 2 |  | LOCK WASHER | 16 |
| 3 |  | FLAT WASHER | 16 | 4 |  | ALLEN WRENCH | 1 |
| 5 |  | PIN SHELF | 8 | | | | |



TO ASSEMBLY:

STEP 1: Lay the top assembly face down on a piece of cloth or carpet to prevent the finish from scratching.

STEP 2: Attach the legs to the top assembly. Insert the flat washer (3), lock washer (2), with bolt (1) to the top assembly, tighten with allen wrench (4). Then attach center leg by turning in the hole provided.

STEP 3: Assembly of the product is now completed.

