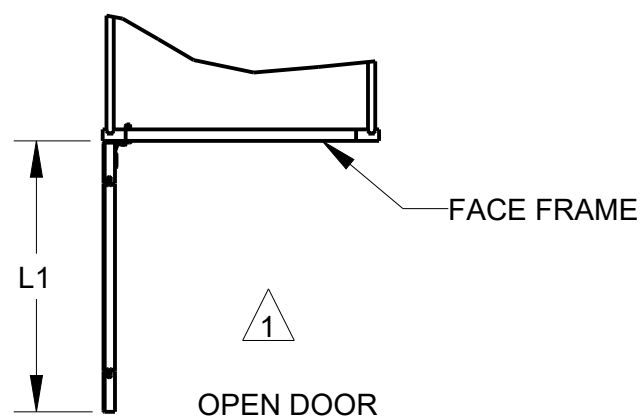
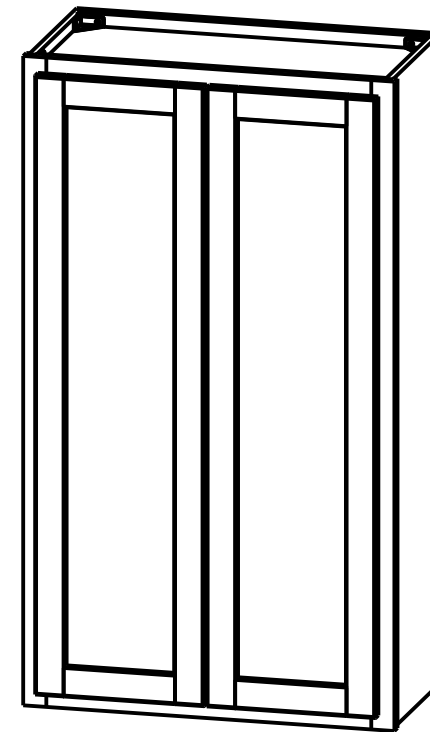
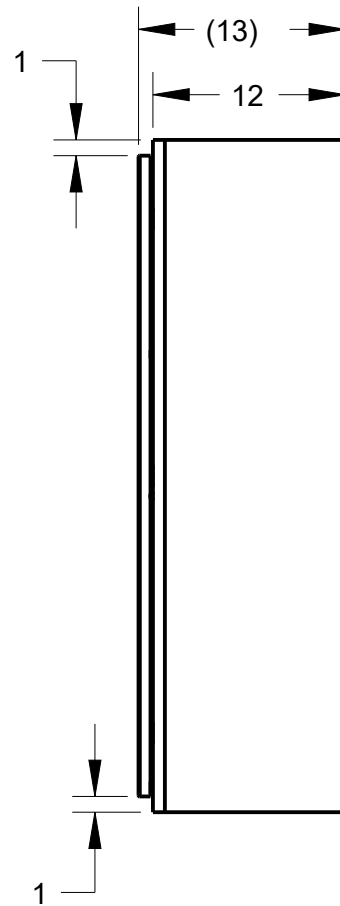
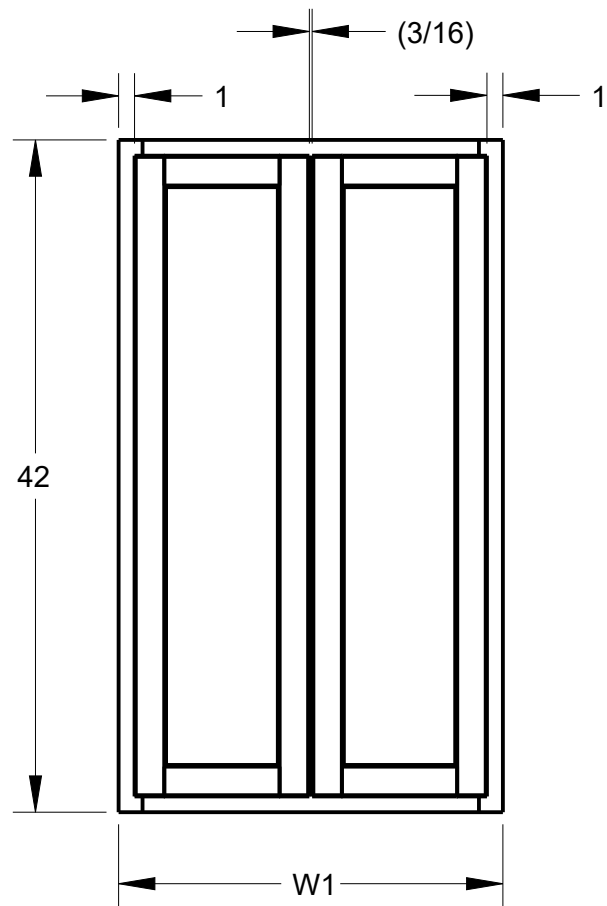


NOTES:

1 OPEN DOOR VIEW INCLUDES HINGE SPACE OFFSET.



PRODUCT SHOWN W2442

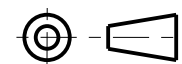
DOCUMENT STATUS Released

HARDWARE RESOURCES RESERVES THE RIGHT TO CHANGE SPECIFICATIONS WITHOUT NOTICE. IN CASE OF A DISCREPANCY, ACTUAL PART GEOMETRY SUPERSEDES THIS DOCUMENT.

THE INFORMATION CONTAINED WITHIN THIS DRAWING IS THE SOLE PROPERTY OF HARDWARE RESOURCES INC. ANY REPRODUCTION IN PART OR WHOLE WITHOUT WRITTEN PERMISSION OF HARDWARE RESOURCES INC. IS PROHIBITED.

PRODUCT	W1	L1	DOOR SIZE
			ROUNDED TO NEAREST 1/32
W2442	24"	11 1/16"	10 15/16" X 40 1/32"
W2742	27"	12 9/16"	12 7/16" X 40 1/32"
W3042	30"	14 1/16"	13 29/32" X 40 1/32"
W3342	33"	15 9/16"	15 13/32" X 40 1/32"
W3642	36"	17 1/16"	16 29/32" X 40 1/32"

THIRD ANGLE PROJECTION



MATERIAL

FINISH

N/A

N/A

DRAWN BY  
ANDY BROWN

DATE  
03MAR2021

DESIGNED BY  
NORTHPOINT

DATE

APPROVED BY  
E.GOLESTANYAN

DATE  
11MAR2021

**hardware resources**

DESCRIPTION

W2442, W2742, W3042, W3342, W3642  
HALF OVERLAY

DRAWING NUMBER  
W2442-W2742W3042W3342W3642\_HALF

REV  
**A**

SIZE  
A3

SCALE  
0.100

SHEET  
1 / 1