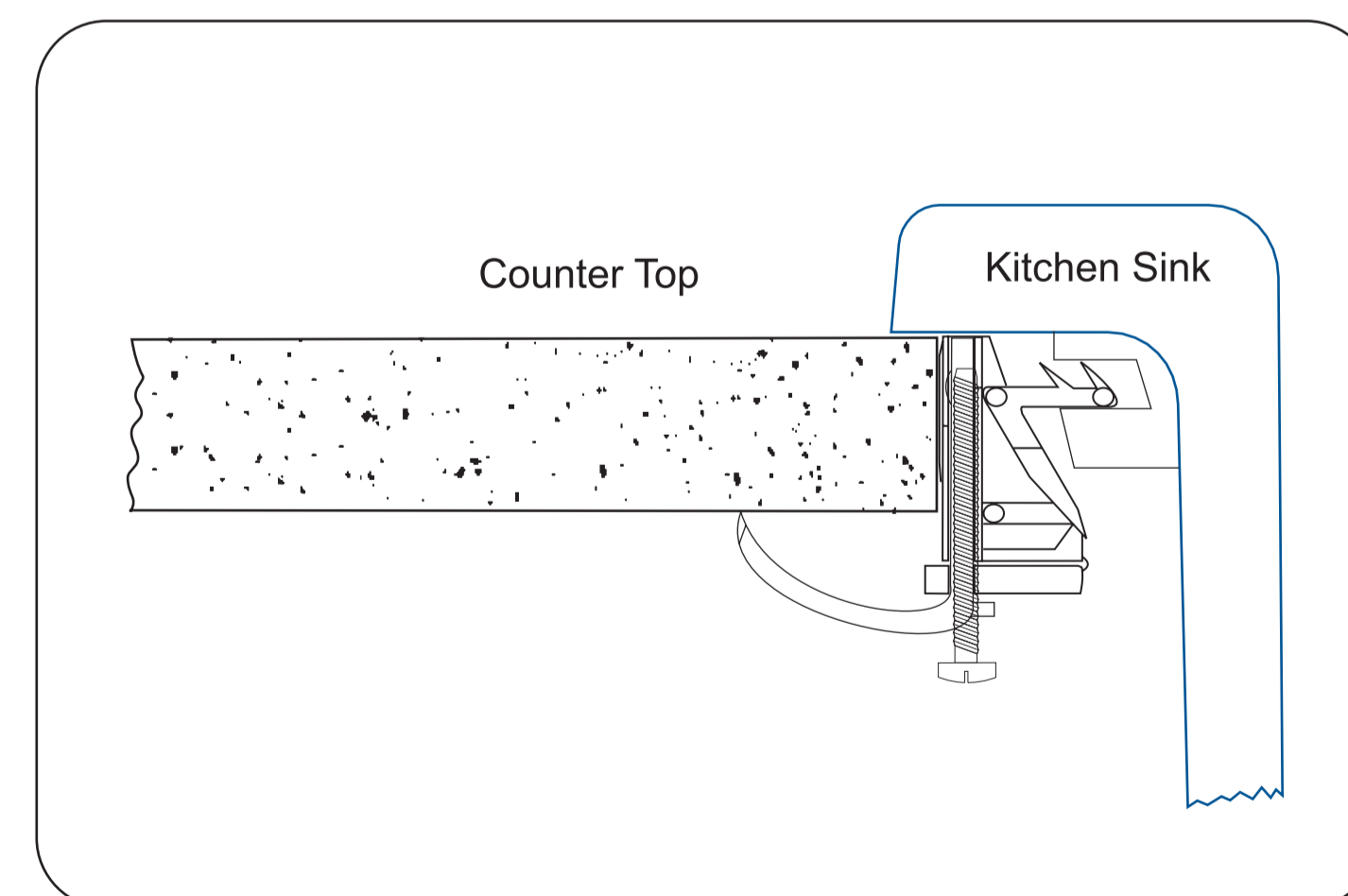
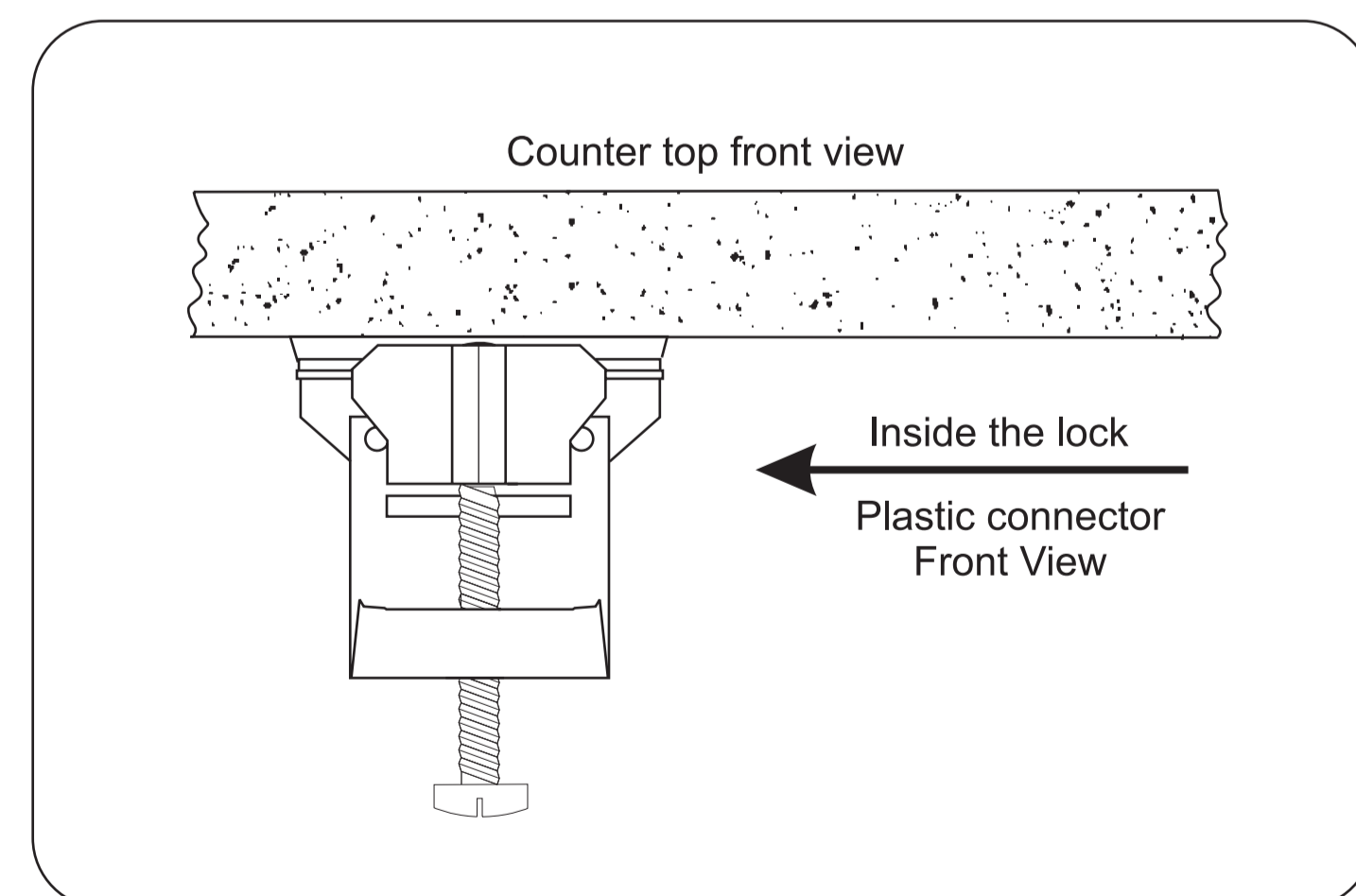
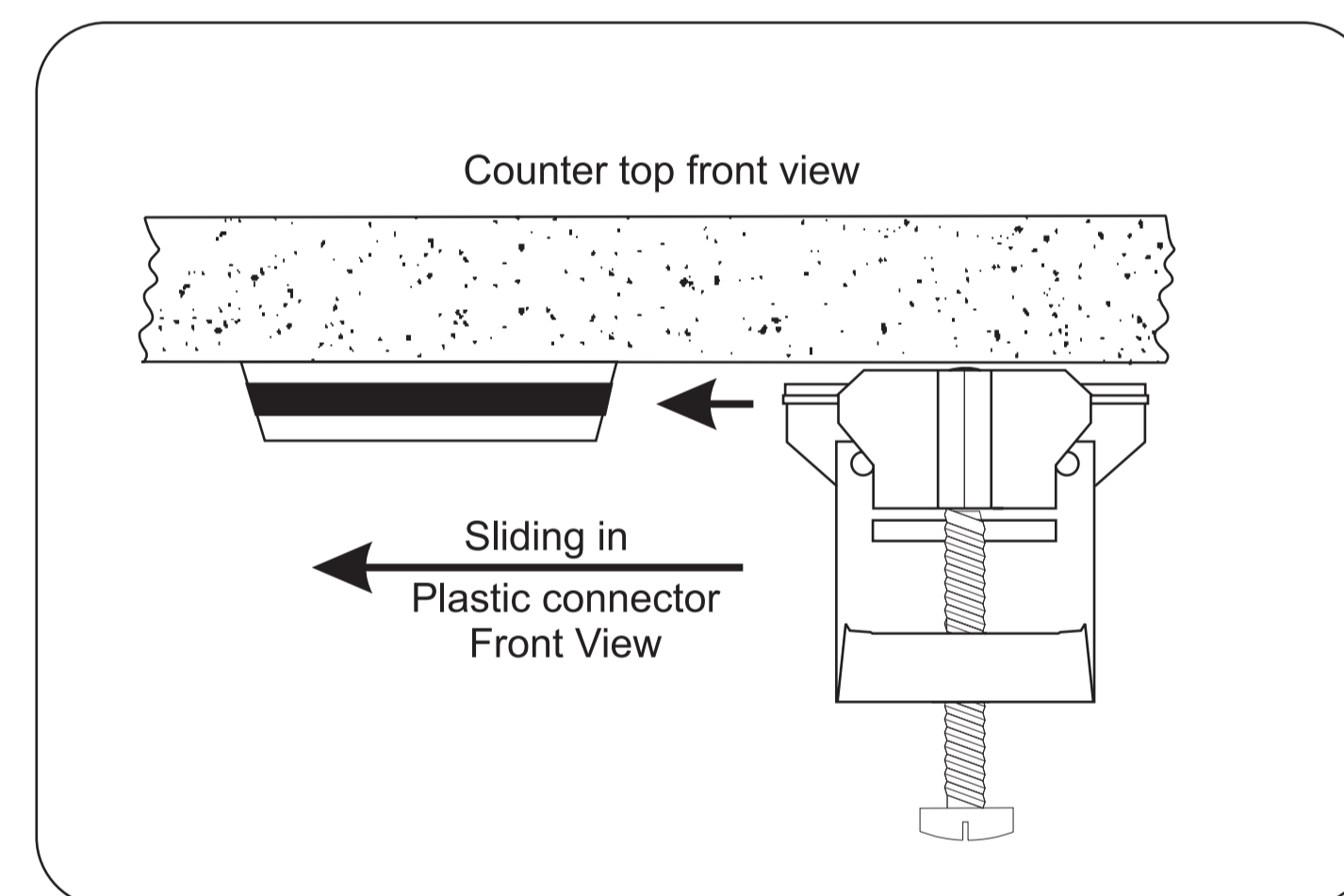
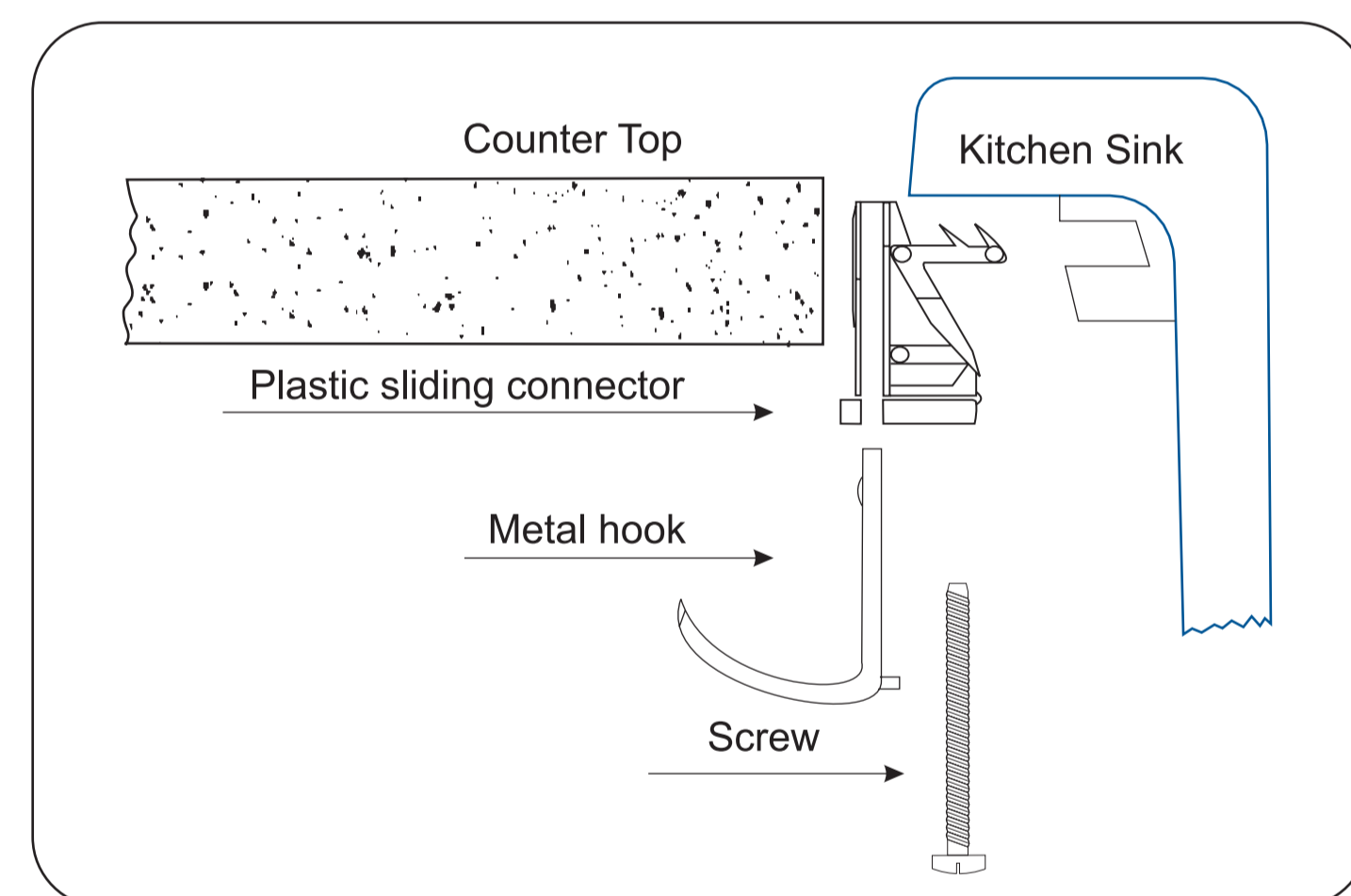
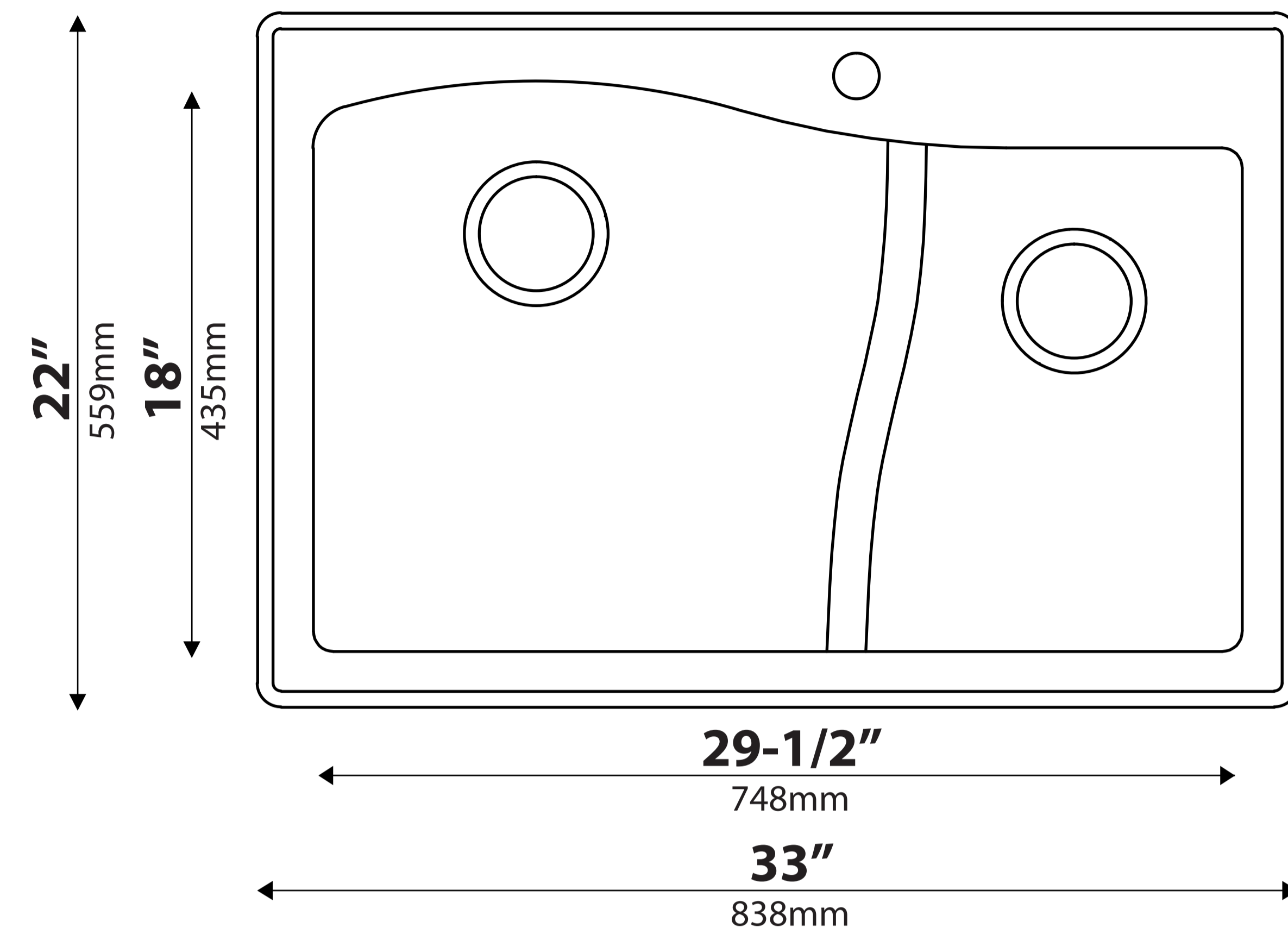


Kräus®

www.kraususa.com

Model No. KGD-442 (Topmount)

Pro Hotline: 516.801.8955
Customer Service: 800.775.0703



NOTE: Cutout template is provided as a guide **ONLY** and must be checked against actual sink to verify correct fit.