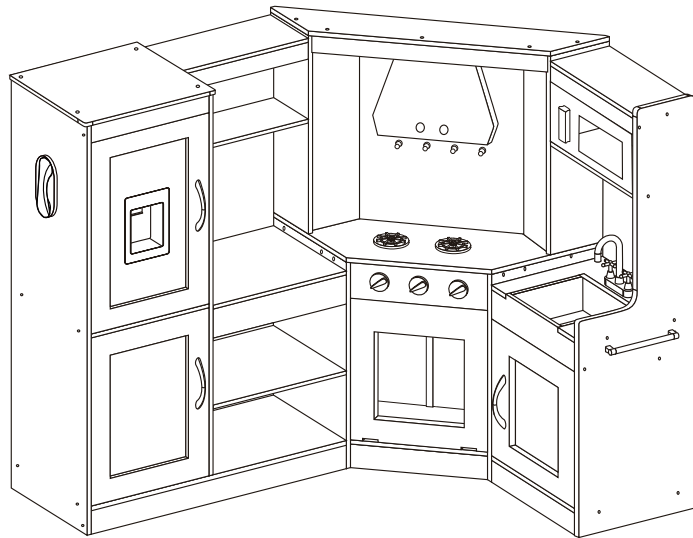




BEST CHOICE PRODUCTS



INSTRUCTION MANUAL

Corner Kitchen

SKY6910 + SKY6911 + SKY6912

Ver. 1

⚠ WARNING

ADULT ASSEMBLY REQUIRED

⚠ WARNING

CHOKING HAZARD - Small parts.
Not for children under 3 years old.

ⓘ NOTICE

- This product requires adult assembly and supervision when in use.
- This product is intended for indoor use only.
- Do not stand on or use any part of this item as a step ladder.
- Firmly secure all bolts, screws and knobs before use.
- Reconfirm that all bolts, screws, and knobs are secure every 90 days.
- Do not use or store this item in the proximity of open flame or flammable/combustible chemicals.
- If any parts are missing, broken, damaged, or worn, stop using this item until repairs are made and/or factory replacement parts are installed.
- Do not use this item in a way inconsistent with the manufacturer's instructions as this could void the product warranty.
- This product contains small parts. May result in choking hazard for children under 3 years.
- To wipe down item, use a damp cloth. Then, wipe it down once more with a dry cloth.
- This product is intended for residential use only.

⚠ WARNING

- This product requires adult assembly and supervision when in use.
- This product contains small parts. May result in choking hazard for children under 3 years.
- Fasten screws loosely during initial assembly. Do not firmly tighten the screws until the item is completely assembled.
- Do not use or store this item in the proximity of open flame or flammable/combustible chemicals and substance.
- Be aware that some parts are heavy or have sharp edges.
- Do not use this item in a way inconsistent with manufacturer's instructions as this could void the product warranty.

WARNINGS REGARDING BATTERIES

The following safety hazards may result in serious injury or death:

- Do not mix alkaline, standard (carbon zinc) and rechargeable (nickel hydride) batteries.
- Do not mix old and new batteries.
- Non-rechargeable batteries should not be charged/
- Rechargeable batteries should be charged under adult supervision only.
- Exhausted batteries should be removed.
- The supply terminals should not be short-circuited.
- Do not put batteries next to or in a heat source (fire, electronic heating device etc.)
- Do not hit batteries against hard objects.
- Do not submerge batteries in water.
- Batteries should be inserted with the correct polarity.

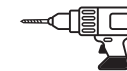
TOOLS REQUIRED



HAMMER



SMALL PHILLIPS SCREWDRIVER



ELECTRIC DRILL (OPTIONAL)

+ AA -

4 AA BATTERIES (NOT PROVIDED)

+ AAA -

4 AAA BATTERIES (NOT PROVIDED)



AGE RANGE:
3 YEARS OLD
& UP



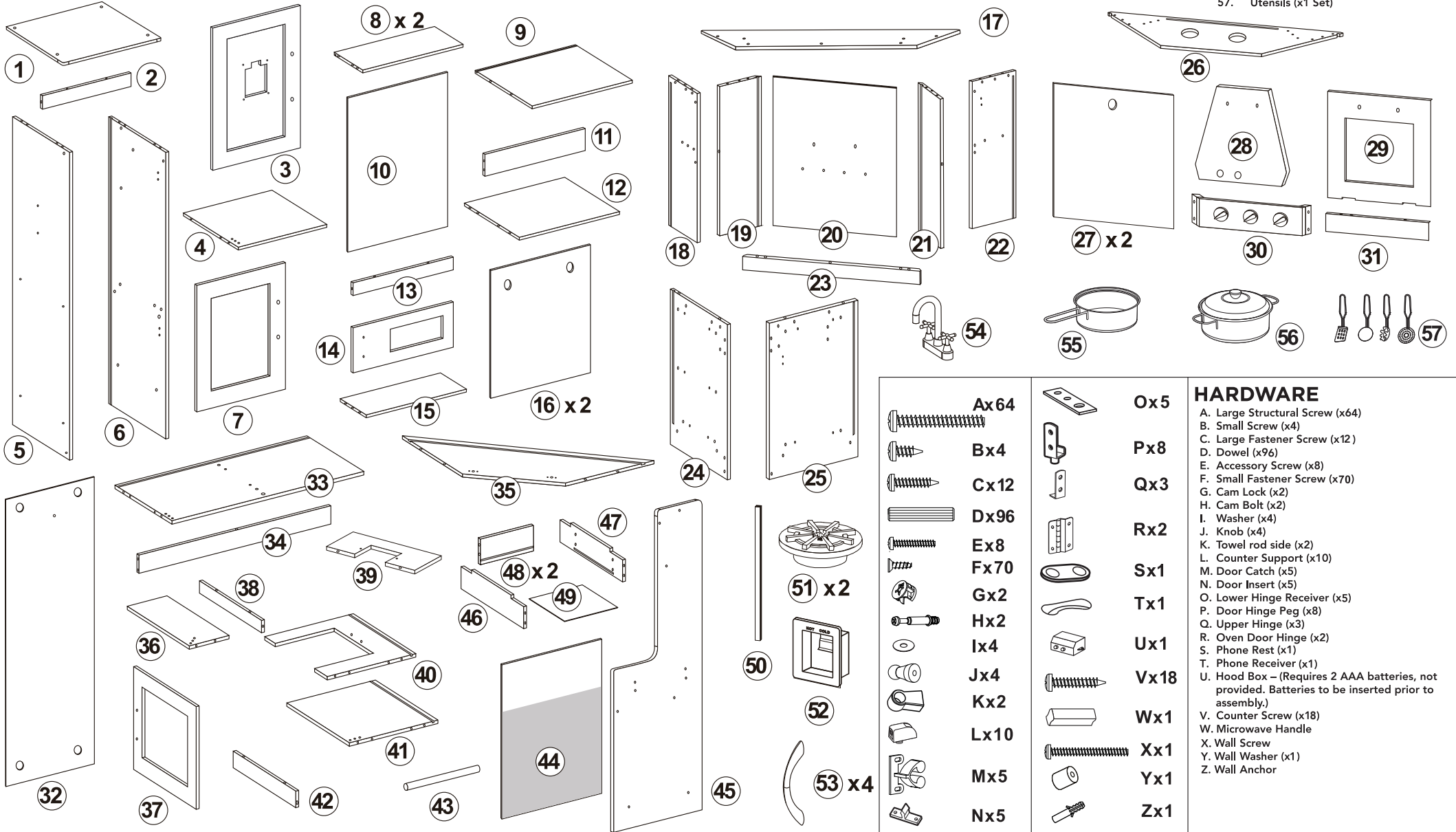
2 PERSON
ASSEMBLY

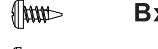

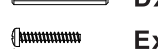




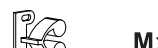

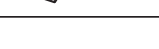


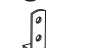




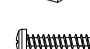





UP TO 120 MIN.
ASSEMBLY

PARTS

- | | | | | | |
|---------------------------------|---|----------------------------------|----------------------------|--|--|
| 1. Refrigerator top | 11. Left Counter Molding | 21. Center Backsplash Right Side | 31. Center Bottom Molding | 41. Right Base | 51. Stove Burners (x2) (2 AA Batteries required for each. Batteries to be inserted prior to assembly.) |
| 2. Refrigerator top molding | 12. Left Bottom Shelf | 22. Stove Range Right Side | 32. Refrigerator Backing | 42. Right Bottom Molding | 52. Ice Maker (2 AAA Batteries required. Batteries to be inserted prior to assembly.) |
| 3. Refrigerator top door | 13. Microwave Top Molding | 23. Center Top Molding | 33. Left Base | 43. Towel Rod | 53. Door Handles |
| 4. Refrigerator Shelf | 14. Microwave Door | 24. Oven Left Side | 34. Left Bottom Molding | 44. Right Backsplash | 54. Faucet |
| 5. Refrigerator Left Side | 15. Left Top Shelf | 25. Oven Right Side | 35. Center Oven Base | 45. Right Side | 55. Sauce Pan |
| 6. Refrigerator Right Side | 16. Right and Left Cabinet Backing (x2) | 26. Oven Base | 36. Microwave Bottom shelf | 46. Sink Front | 56. Dutch Oven |
| 7. Refrigerator bottom door | 17. Center Top | 27. Oven Backing (x2) | 37. Dishwasher Door | 47. Back Sink Support | 57. Utensils (x1 Set) |
| 8. Microwave & Cabinet Top (x2) | 18. Stove Range Left Side | 28. Hood | 38. Right Top Molding | 48. Sink Right and Left Sides (x1 Set) | |
| 9. Left Countertop | 19. Center Backsplash Left Side | 29. Oven Door | 39. Hood Support | 49. Sink Bottom | |
| 10. Left Backsplash | 20. Center Backsplash | 30. Center Stove Knobs | 40. Right Sink Counter | 50. Oven Center Support | |

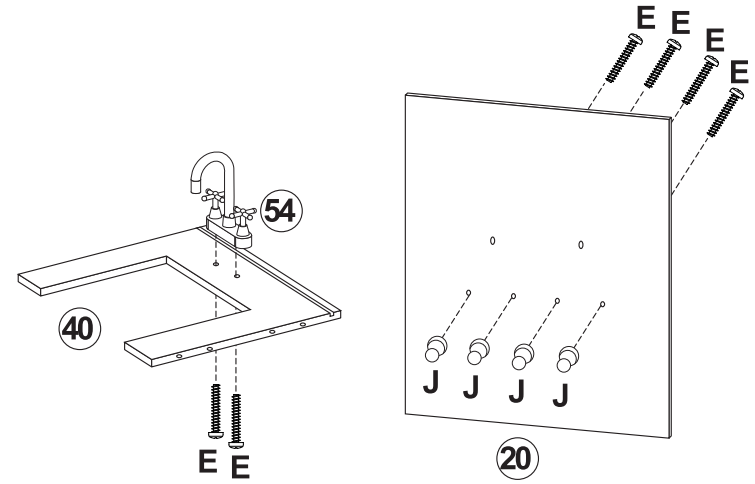
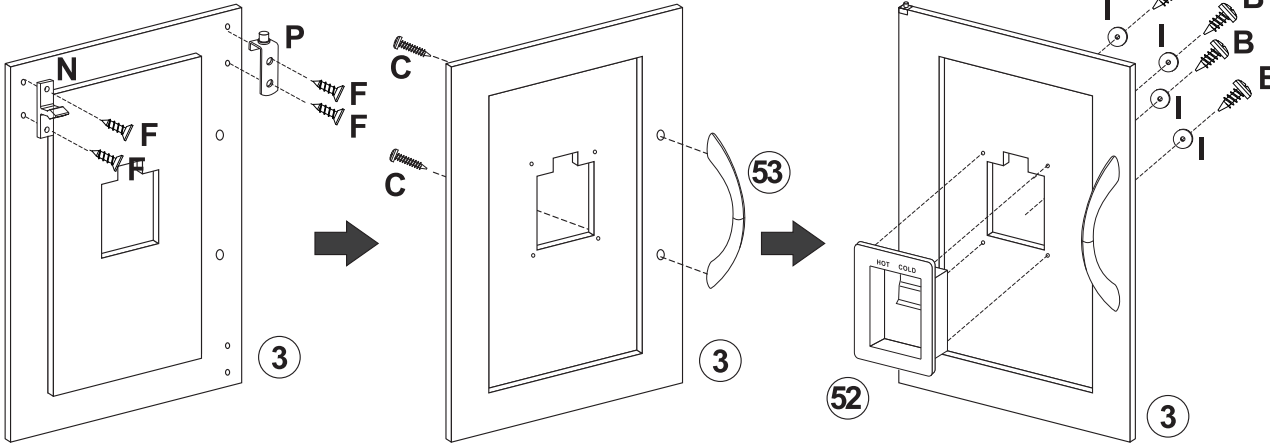


HARDWARE	
	Ax64
	Bx4
	Cx12
	Dx96
	Ex8
	Fx70
	Gx2
	Hx2
	Ix4
	Jx4
	Kx2
	Lx10
	Mx5
	Nx5
	Ox5
	Px8
	Qx3
	Rx2
	Sx1
	Tx1
	Ux1
	Vx18
	Wx1
	Xx1
	Yx1
	Zx1

BEFORE ASSEMBLY

1

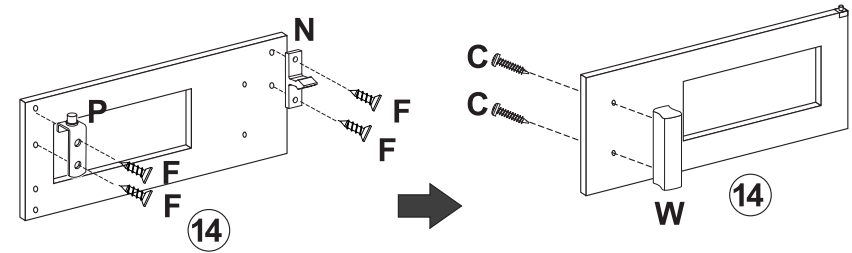
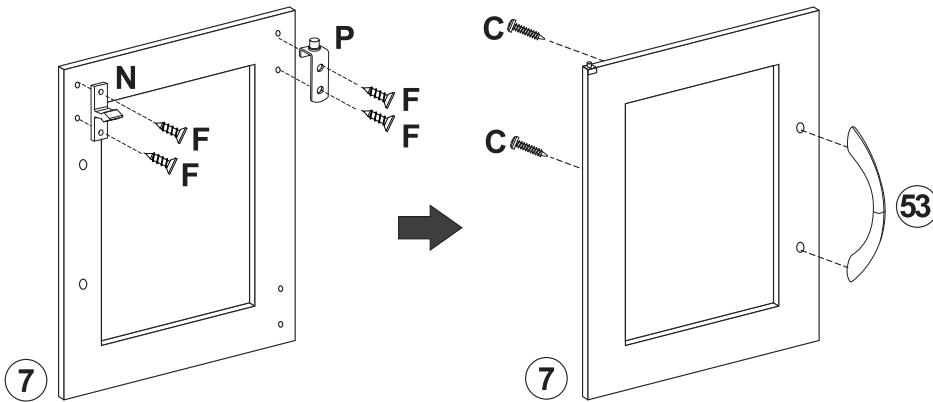
Locate the **part 3 refrigerator top door** and attach one **part N door insert** and one **part P door hinge peg** with four **part F screws**, two screws each. Flip the door, then attach the **part 53 door handle** with two **part C screws**. Install two AAA batteries into the **part 52 icemaker**. Attach the **part 52 icemaker** with four **part B screws** and four **part I washers**.



Attach the **part 54 faucet** to the **part 40 right sink counter** with two **part E screws**. Locate the **part 20 center backsplash** and attach four **part J knobs** with four **part E screws**.

2

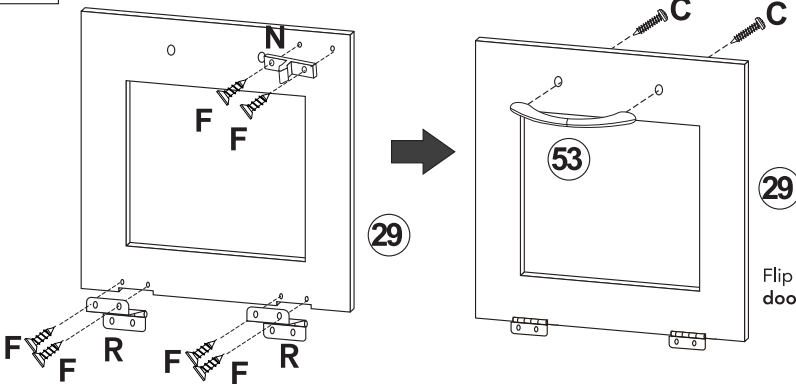
Locate the **part 7 refrigerator top door** and attach one **part N door insert** and one **part P door hinge peg** with four **part F screws**, two screws each. Flip the door, then attach the **part 53 door handle** with two **part C screws**.



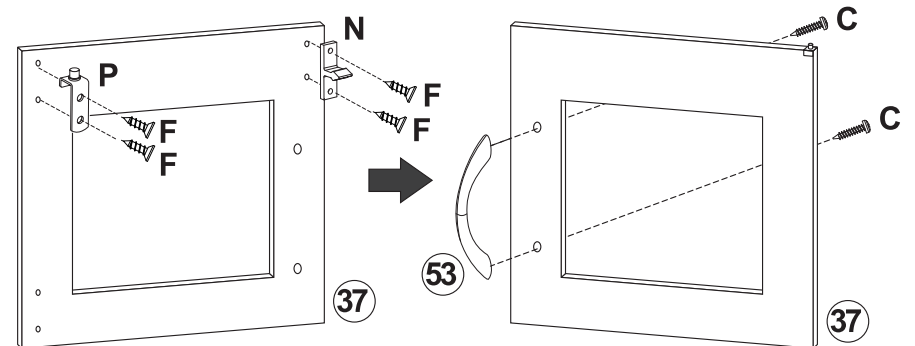
Locate the **part 14 microwave door** and attach one **part N door insert** and one **part P door hinge peg** with four **part F screws**, two screws each. Flip the door, then attach the **part W microwave handle** with two **part C screws**.

3

Attach one **part N door insert** to the **part 29 over door** with two **part F screws**, then attach two **part R oven door hinges** with four **part F screws**, two screws per hinge.



Flip the door, then attach the **part 53 door handle** with two **part C screws**.

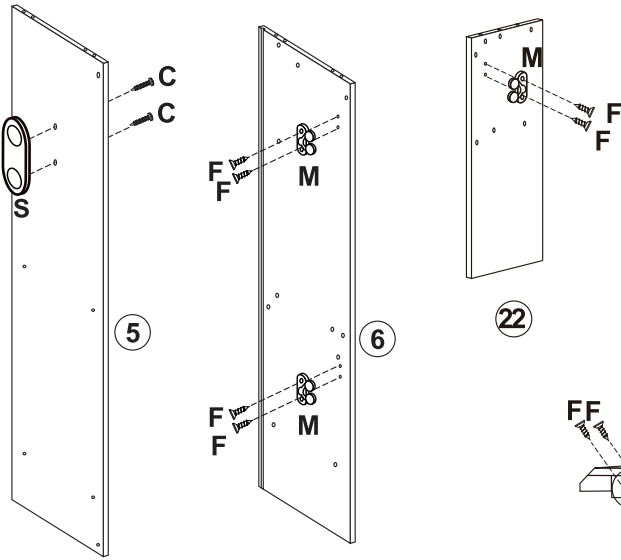


Locate the **part 37 dishwasher door** and attach one **part N door insert** and one **part P door hinge peg** with four **part F screws**, two screws each. Flip the door, then attach the **part 53 door handle** with two **part C screws**.

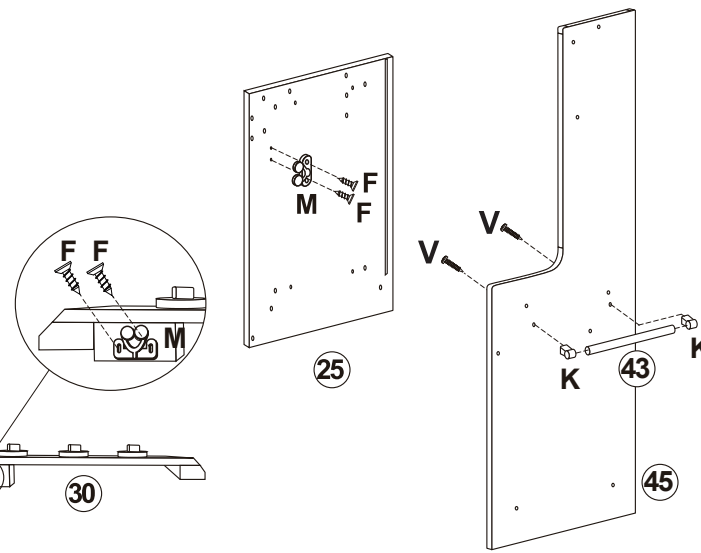
BEFORE ASSEMBLY

4

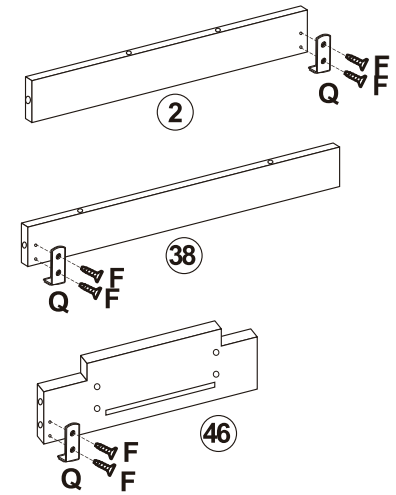
Attach the part S phone mount to the part 5 refrigerator left side. Attach two part M door catches to the part 6 refrigerator right side with four part F screws, two screws each. Attach part M door catch to the part 22 stove range right side with two part F screws.



Attach one part M door catch to the part 25 oven right side with two part F screws. Attach one part M door catch to the part 30 center stove knobs with two part F screws. Insert the part 43 towel rod between two part K towel rod sides, then

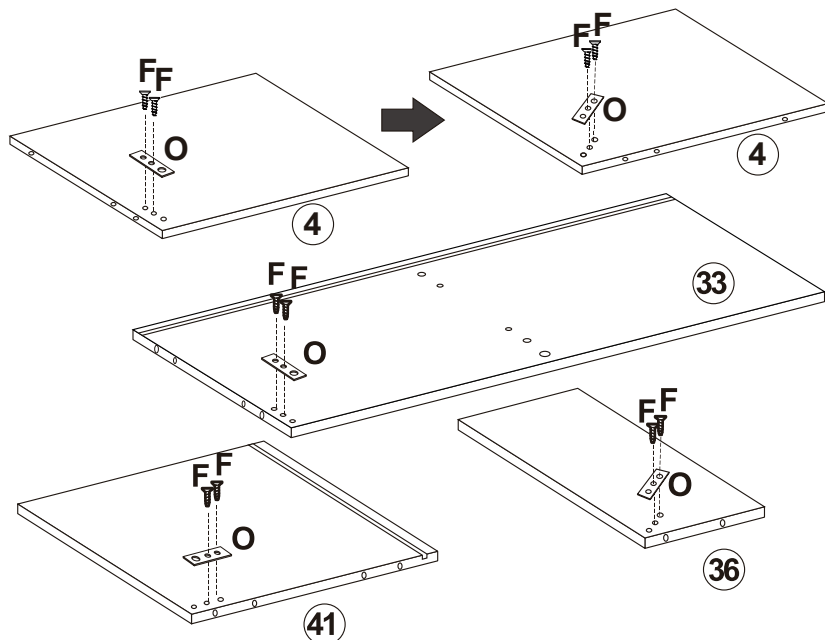


attach the towel rod side to the part 45 right side with two part C screws. Attach one part Q lower hinge receiver to the part 2 refrigerator top molding, part 38 right top molding, and part 46 sink front with six part F screws. Two screws per support, six screws total.



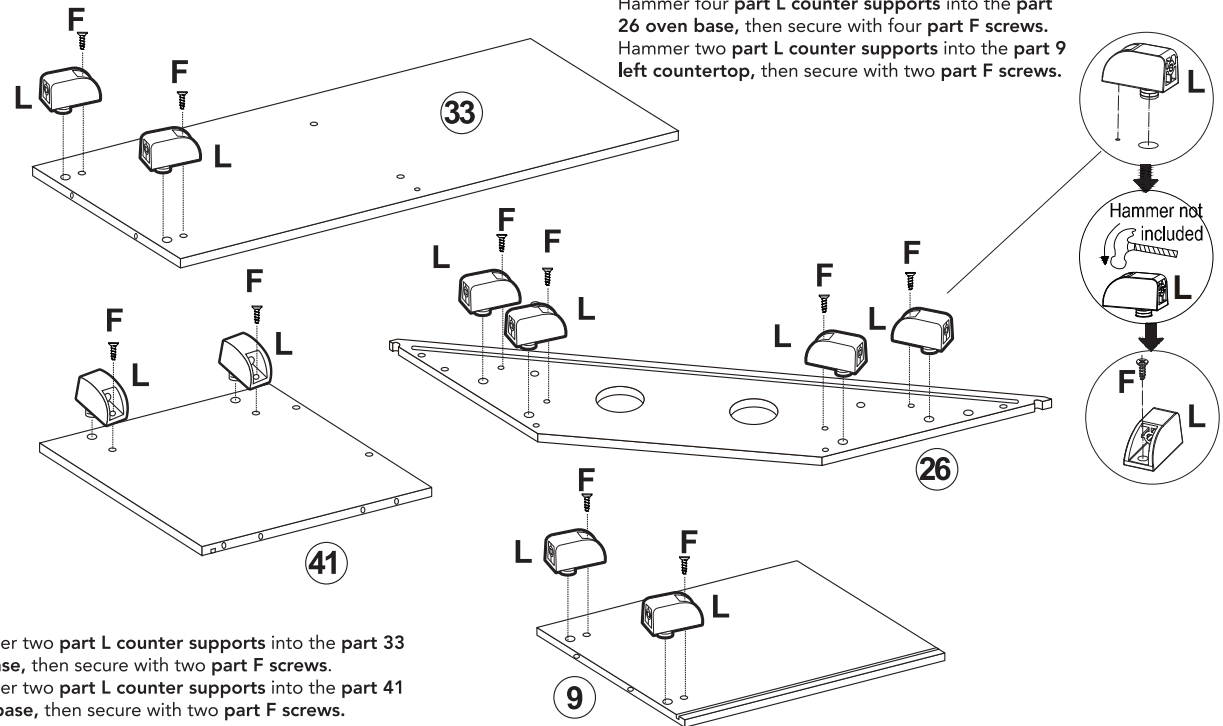
5

Attach one part O upper hinge receiver to the part 4 refrigerator shelf, part 33 left base, part 41 right base, and part 36 microwave bottom shelf with eight part F screws. Two screws per support, eight screws total.



6

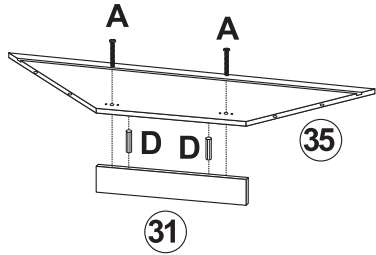
Hammer four part L counter supports into the part 26 oven base, then secure with four part F screws. Hammer two part L counter supports into the part 9 left countertop, then secure with two part F screws.



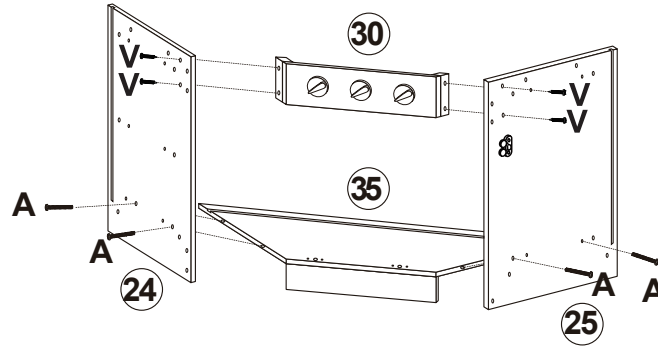
Hammer two part L counter supports into the part 33 left base, then secure with two part F screws. Hammer two part L counter supports into the part 41 right base, then secure with two part F screws.

PRODUCT ASSEMBLY

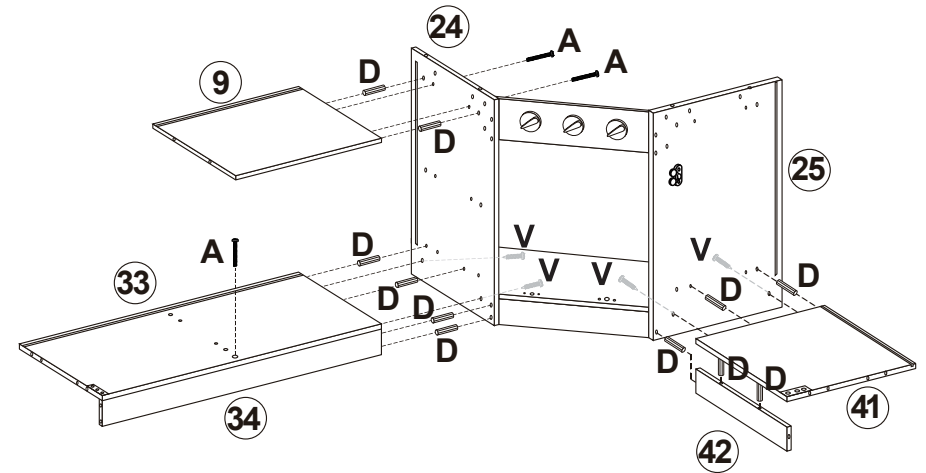
7 Attach the **part 31 center bottom molding** to the **part 35 center oven base** with two **part D dowels**, then secure with two **part A screws**.



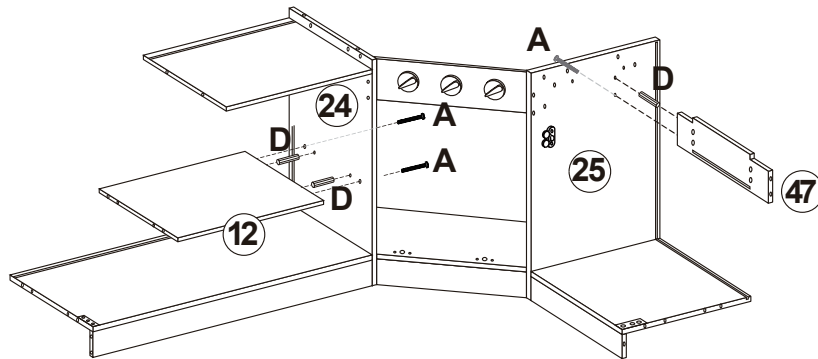
8 Attach the **part 35 center oven base** to the **part 24 and 25 oven sides** with four **part A screws**, two screws per side. Attach the **part 30 center stove knobs** to the oven sides with four **part V screws**.



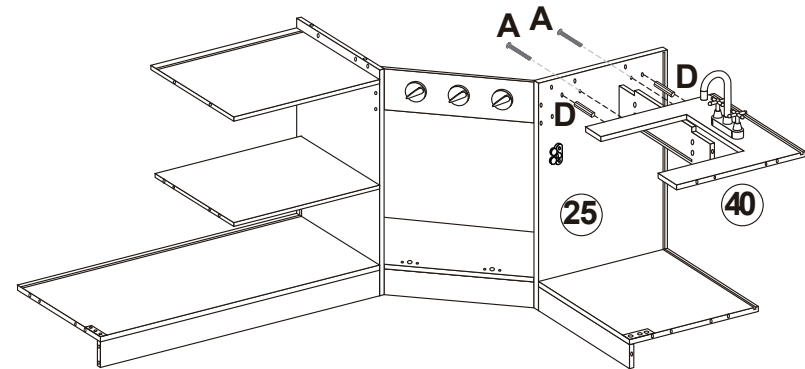
9 Attach the **part 42 right bottom molding** to the **part 41 right base** with two **part D dowels**, then insert three **part D dowels** as shown, one in right bottom molding and two in the right base. Attach the **part 41 right base** to the **part 25 oven right side** with two **part V screws**. Attach the **part 34 left bottom molding** to the **part 33 left base** with one **part A screw**. Attach the left base assembly to the **part 24 left side** with four **part D dowels**, two **part V screws**.



10 Insert two **part D dowels** into the **part 12 left bottom shelf**, then attach the shelf to the **part 24 left side** with two **part A screws**. Attach the **part 47 back sink support** with one **part D dowel** and one **part A screw**.

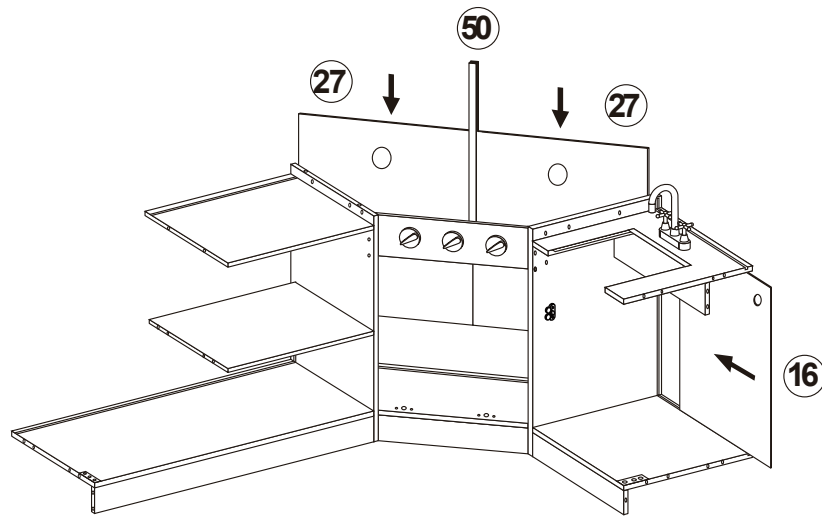


11 Insert two **part D dowels** into the **part 40 right sink counter's side**, then attach it to the **part 25 right side** with two **part A screws**.

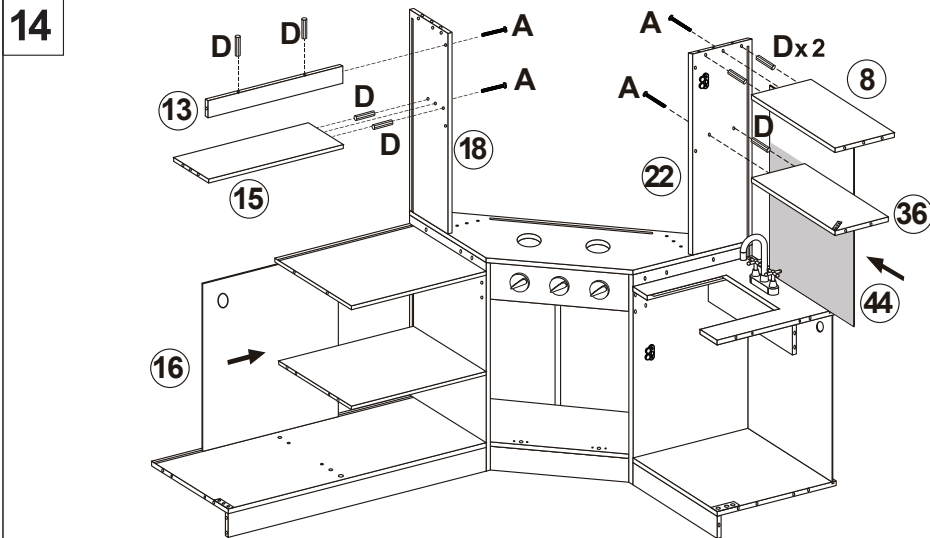
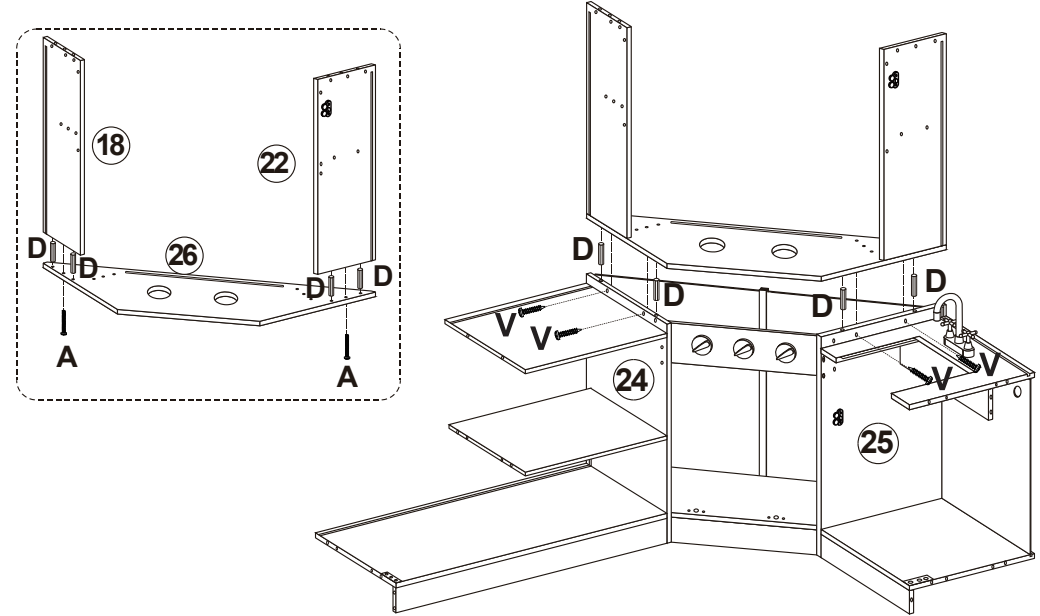


PRODUCT ASSEMBLY

- 12** Slide the **part 16 right sink cabinet backing** between the **part 40 right sink counter** and **part 41 right base**. Place the **part 50 oven center support** onto **part 26 oven base**, then slide a **part 27 oven backing** on either side of the support, two total.



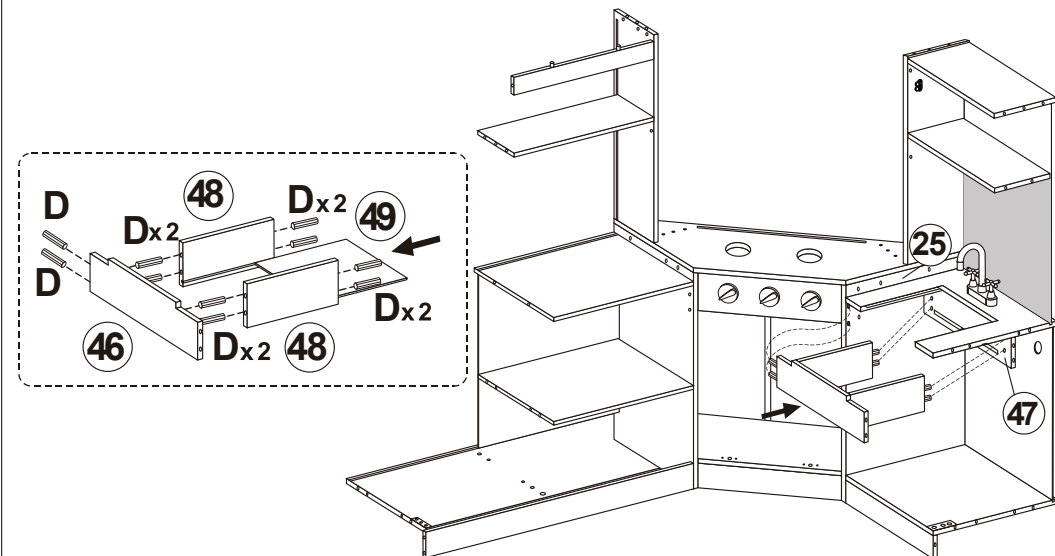
- 13** Attach the **part 18 and 22 stove range sides** to **part 26 oven base** with four **part D dowels**, two dowels per side, and two **part A screws**, one per side. Attach the oven base assembly to the **part 24 and 25 oven sides** with four **part D dowels** and four **part Z screws**. **Note:** Use a hand screwdriver when attaching the **part V screws** to prevent damage.



Insert two **part D** dowels into the **part 15 microwave bottom shelf** and attach it to the **part 18 left stove range side**, then secure with one **part A** screw. Insert two **part D** dowels into the **part 13 microwave top molding**, then attach it with one **part A** screw. Slide the **part 16 left cabinet backing** between the **part 9 left countertop** and the **part 33 left base**.

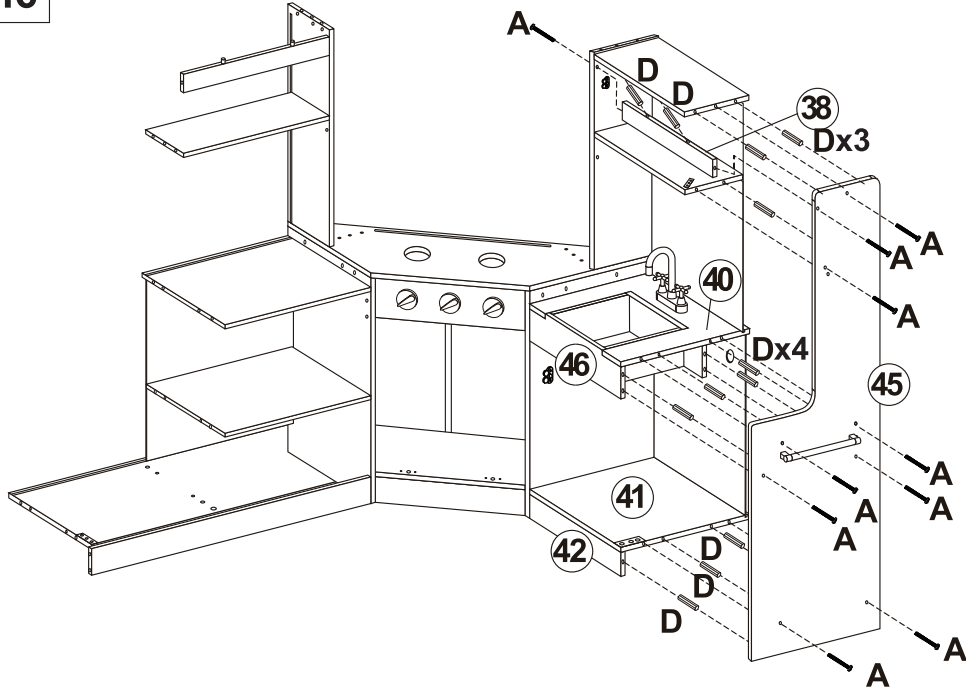
Insert two **part D** dowels into the **part 8 microwave top**, then attach it to the **part 22 stove range right side** and secure with one **part A** screw. Insert one **part D** dowel into the **part 36 right top shelf**, then secure it to the **part 22 stove range right side** with one **part A** screw. Insert the **part 44 right backs** **lasp** between the **part 8 top** and **part 40 right sink**.

- 15** Attach the **part 46 sink front** to two **part 48 sink sides** with four **part D** dowels. Slide the **part 49 sink bottom** into the sink assembly, then insert two **part D** dowels each into the **part 48 sink sides** and the **part 46 sink front**. Attach the sink assembly to the **part 47 back sink support**, then push the sink front until it is flush with the **part 25 oven right side**.

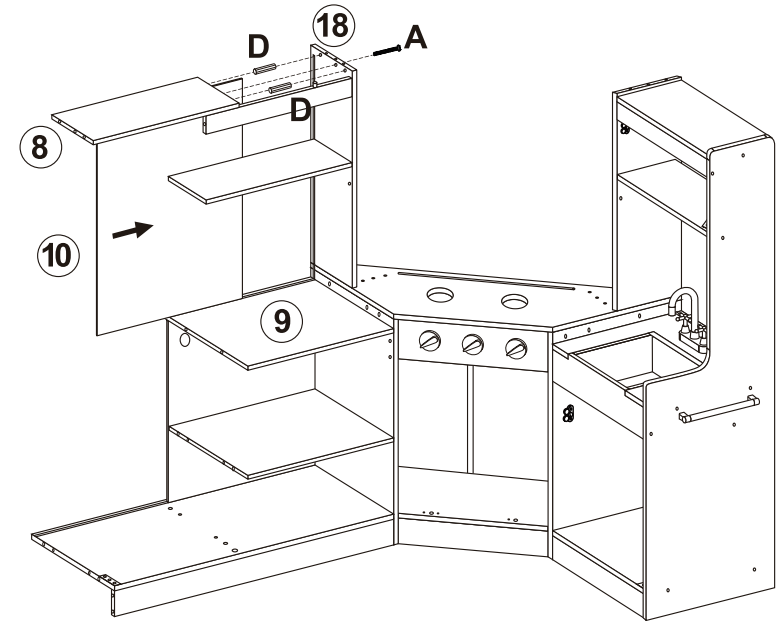


PRODUCT ASSEMBLY

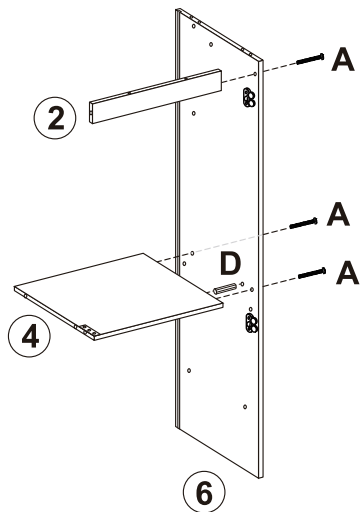
16 Attach the **part 45 right side** to the right side assembly with eleven **part D** dowels and nine **part A** screws.



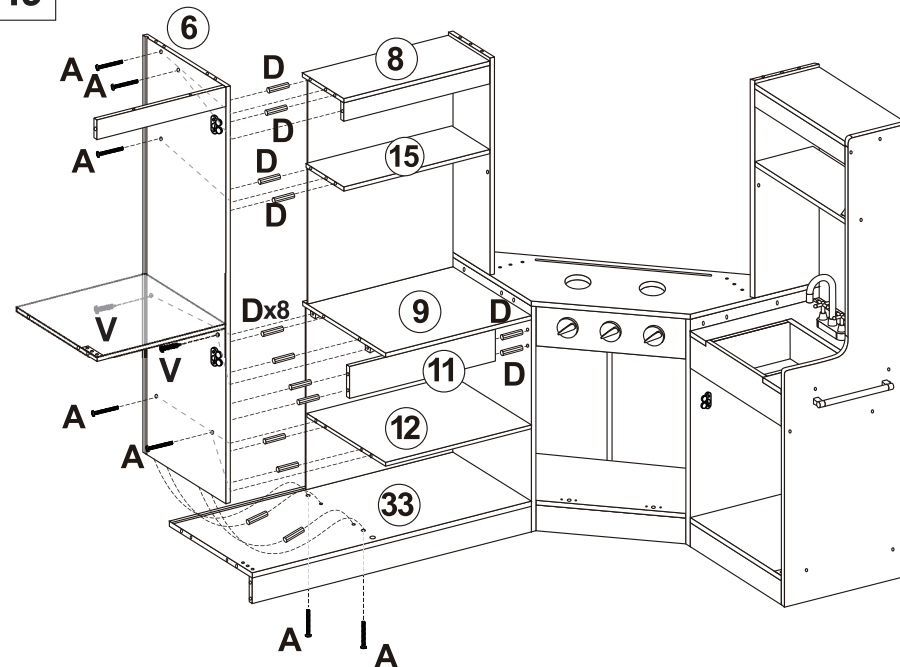
17 Insert two **part D** dowels into the **part 8 microwave top**, then attach it to the **part 18 stove range left side** and secure with one **part A** screw. Insert the **part 10 right/left backsplash** between the **part 8 top** and **part 9 countertop**.



18 Attach the **part 2 refrigerator top molding** to the **part 6 refrigerator right side** with one **part A** screw. Insert one **part D** dowel into the **part 4 refrigerator shelf**, then attach the shelf to the **part 6 refrigerator** with two **part A** screws.



19



Attach the **part 2 refrigerator top molding** to the **part 6 refrigerator right side** with one **part A** screw. Insert one **part D** dowel into the **part 4 refrigerator shelf**, then attach the shelf to the **part 6 refrigerator** with two **part A** screws.

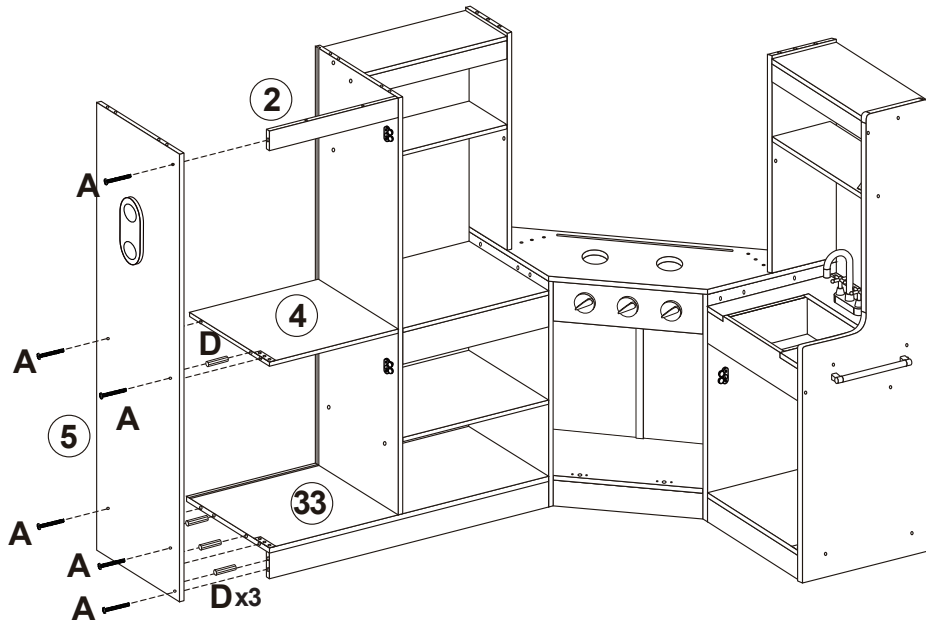
Insert two **part D** dowels into the **part 11 left counter molding**, then insert it into the **part 24 oven left side**. Insert two **part D** dowels into the bottom of the **part 6 refrigerator right side**, then attach the refrigerator right side to the left side assembly with ten additional **part D** dowels and secure with five **part A** screws.

Install two **part V** screws under the **part 4 shelf**. Secure the bottom of the **part 6 refrigerator side** with two more **part A** screws.

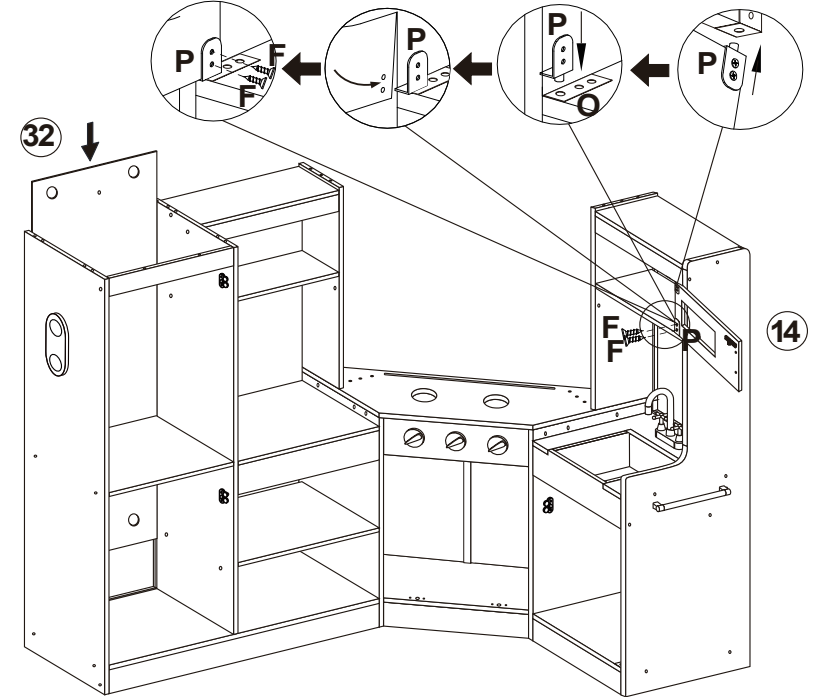
Recommended: Have a second person lift the assembly while a second person secures the screws.

PRODUCT ASSEMBLY

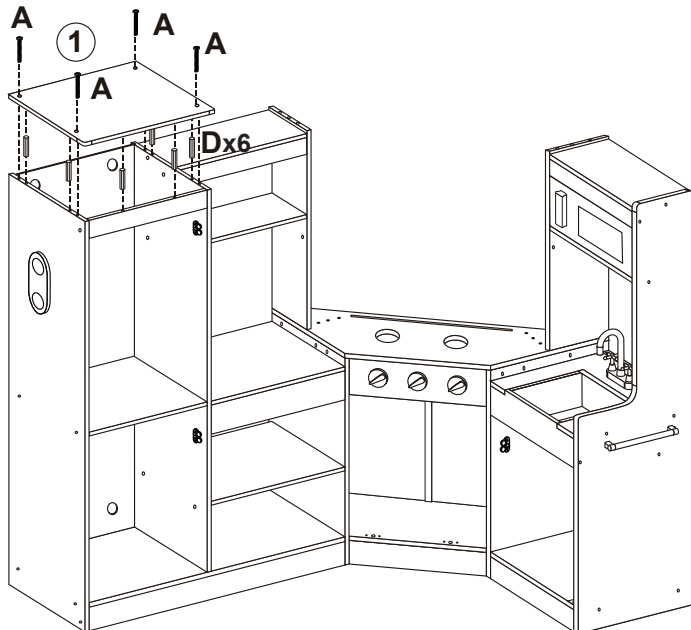
20 Attach the **part 5 refrigerator left side** to the refrigerator shelf assembly with four **part D dowels**, then secure with six **part A screws**.



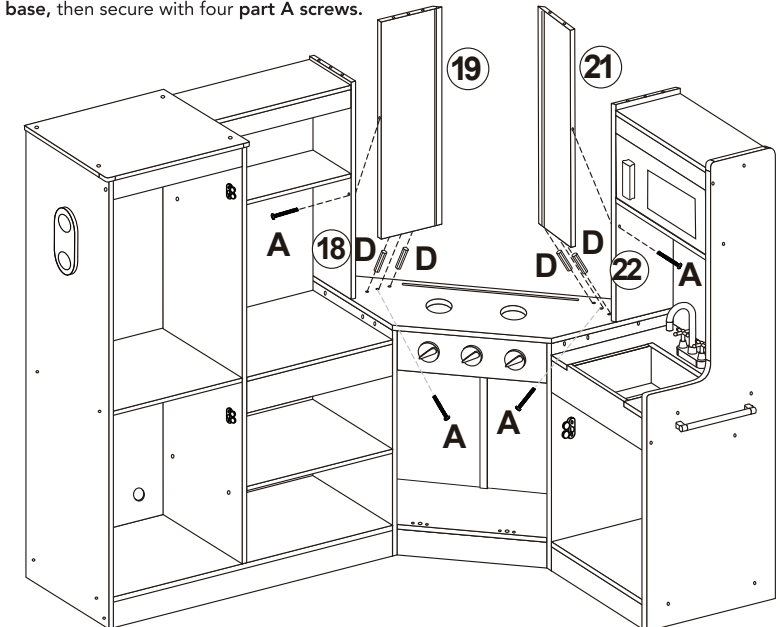
21 Insert the **part 32 refrigerator backing** between the **part 5 and 6 refrigerator sides**, then attach the **part 14 microwave door** by inserting the hinge peg into the top receiver. Insert one **part P hinge peg** into the bottom receiver, then align the door with the peg and secure with two **part F screws**.



22 Attach the **part 1 refrigerator top** to the refrigerator assembly with six **part D dowels** and four **part A screws**.



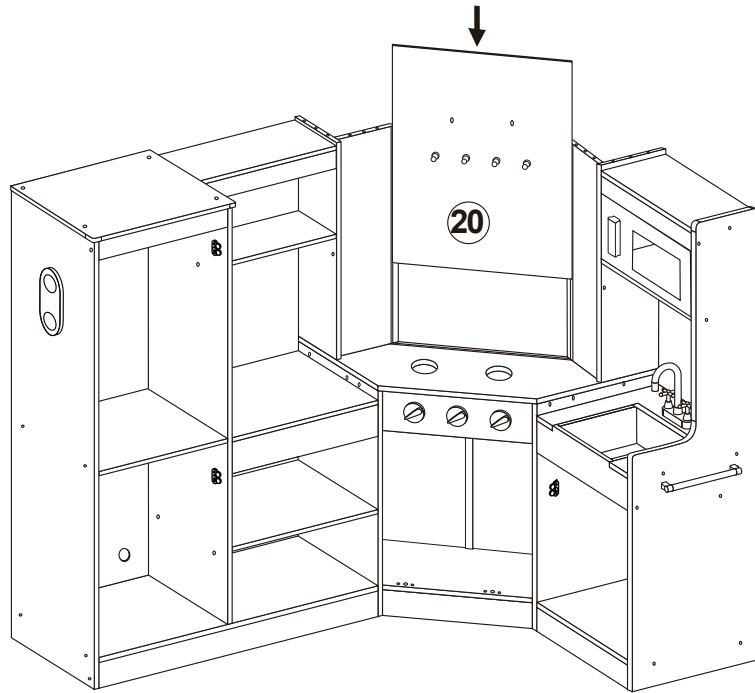
23 Insert two **part D dowels** into the **part 19 and 21 center backsplash side**, then attach the backsplashes to the **part 26 oven base**, then secure with four **part A screws**.



PRODUCT ASSEMBLY

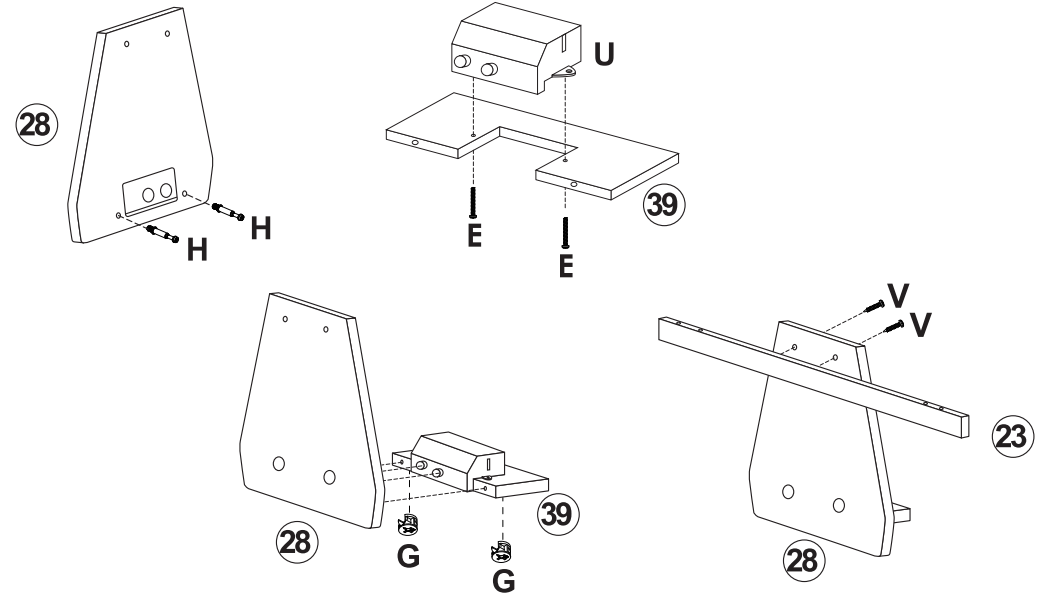
24

Insert the part 20 center backsplash between the part 19 and 21 backsplash sides.



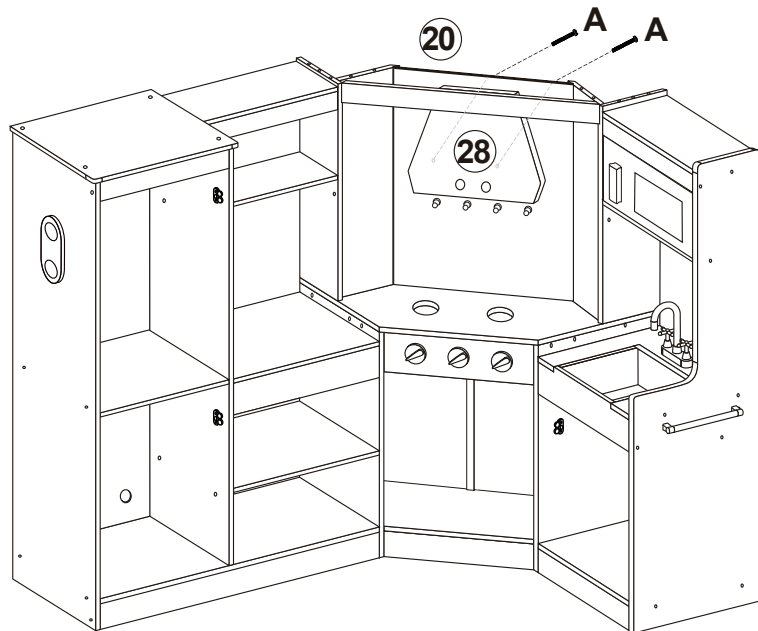
25

Insert two part H cam bolts into the part 28 hood. Install two AAA batteries into the part U hood box, then attach it to the part 39 hood support. Insert two part G cam locks into the hood support, then attach the part 28 hood and turn the cam locks to secure. Attach the part 23 center top molding to the part 28 hood with two part V screws.



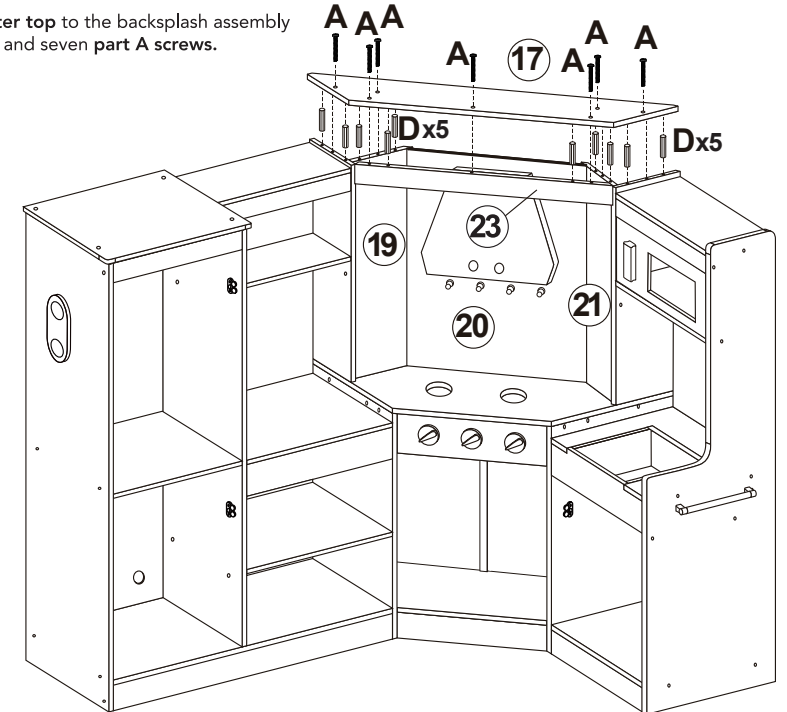
26

Attach the part 28 hood to the part 20 center backsplash with two part A screws.



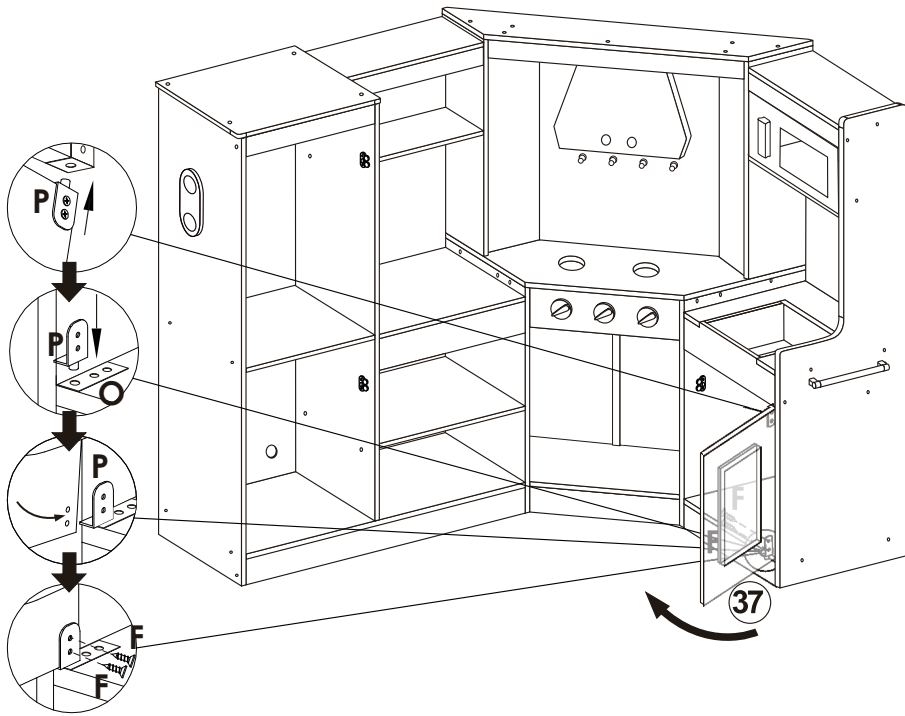
27

Attach the part 17 center top to the backsplash assembly with ten part D dowels and seven part A screws.

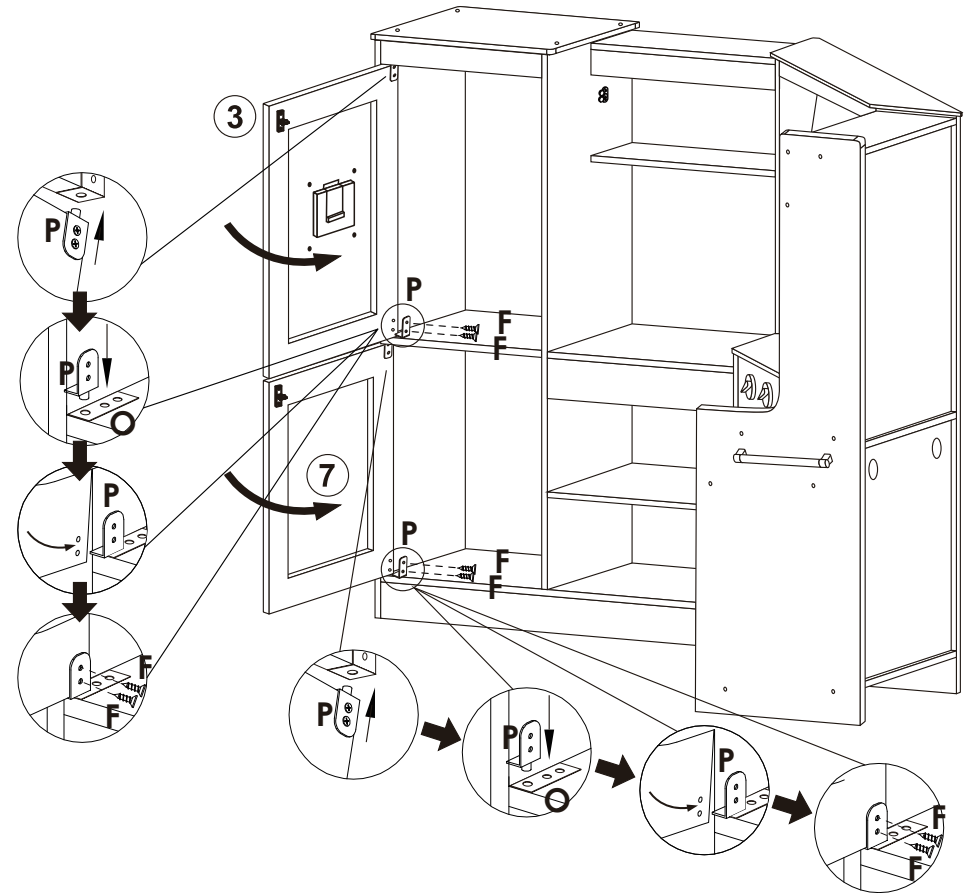


PRODUCT ASSEMBLY

28 Insert the top hinge peg on the **part 37 dishwasher door** into the top receiver, then insert one **part P door hinge peg** into the bottom receiver. Align the door with the hinge peg, then secure with two **part F screws**.



29 Insert the top hinge peg on the **part 3 refrigerator top door** into the top receiver, then insert one **part P door hinge peg** into the bottom receiver. Align the door with the hinge peg, then secure with two **part F screws**. Insert the top hinge peg on the **part 7 refrigerator bottom door** into the top receiver, then insert one **part P door hinge peg** into the bottom receiver. Align the door with the hinge peg, then secure with two **part F screws**.

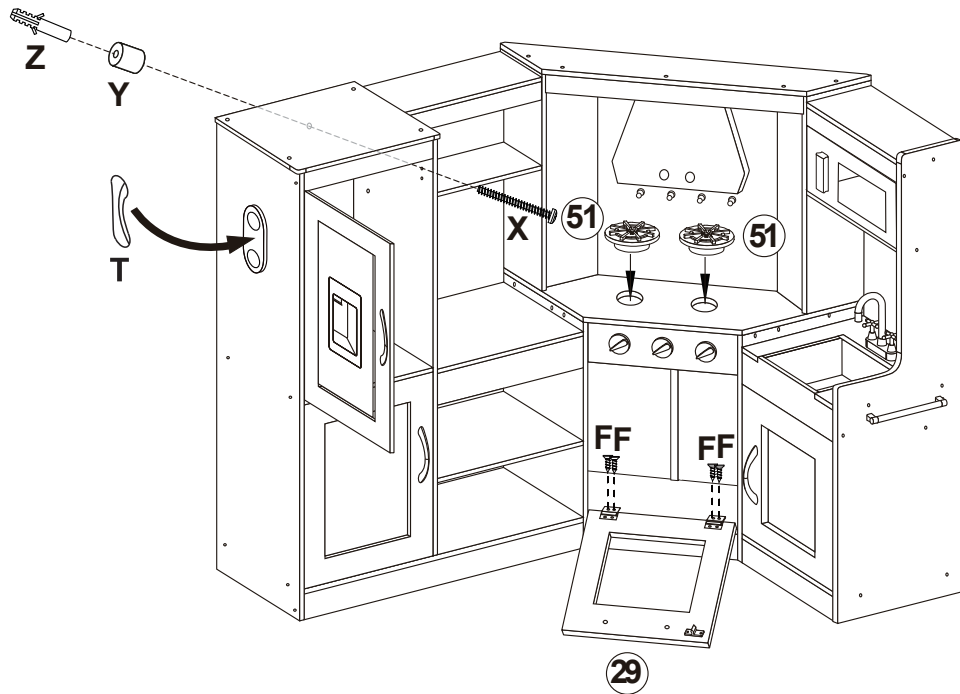


PRODUCT ASSEMBLY

30

Install two AA batteries into both **part 51 stove burners**, four batteries total. Insert the burners into the openings on the **part 26 oven base**.

Attach the **part 29 oven door** by securing the **part X oven door hinges** with four **part F screws**, two screws per hinge.



Question about your product? We're here to help. Visit us at:

help.bestchoiceproducts.com



Chat Support



Product Inquiry



Orders FAQ



Product Assembly



Returns & Refunds

PRODUCT WARRANTY INFORMATION

All items can be returned for any reason within 60 days of the receipt and will receive a full refund as long as the item is returned in its original product packaging and all accessories from its original shipment are included. All returned items will receive a full refund back to the original payment method. All returned items will not be charged a re-stocking fee.

All returned items require an RA (Return Authorization) number, which can only be provided by a Best Choice Products Customer Service Representative when the return request is submitted. Items received without an RA may not be accepted or may increase your return processing time. Once an item has been received by Best Choice Products, refunds or replacements will be processed within 5 business days.

All returns must be shipped back to the Best Choice Products Return Center at the customer's expense. If the reason for return is a result of an error by Best Choice Products then Best Choice Products will provide a pre-paid shipping label via email. Boxes for return shipping will not be provided by Best Choice Products, and is the customer's responsibility to either use the original shipping boxes or purchase new boxes.

Pictures may be required for some returns to ensure an item is not damaged prior to its return. Items returned are not considered undamaged until they are received by Best Choice Products and verified as such. All damages to items are the customer's responsibility until the item has been received by and acknowledged by Best Choice Products as undamaged.

© 2023 Best Choice Products, Inc. All rights reserved. Distributed by Best Choice Products, Inc. Tustin, CA 92780

⚠️ WARNING

Manufacturer and seller expressly disclaim any and all liability for personal injury, property damage or loss, whether direct, indirect, or incidental, resulting from the incorrect attachment, improper use, inadequate maintenance, unapproved modification, or neglect of this product.