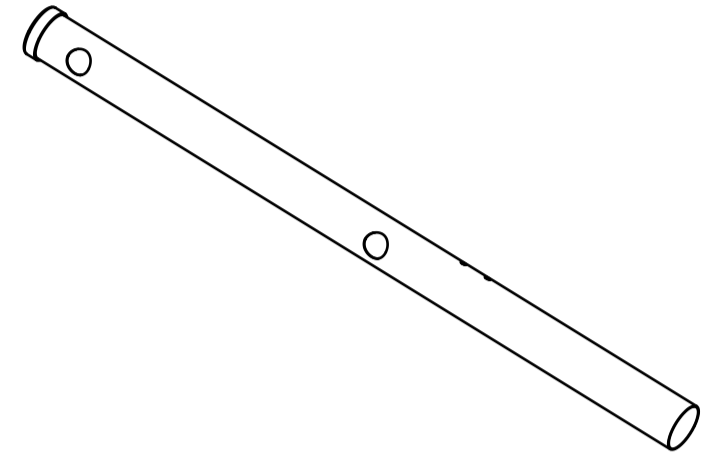
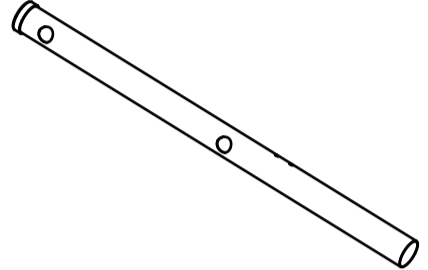
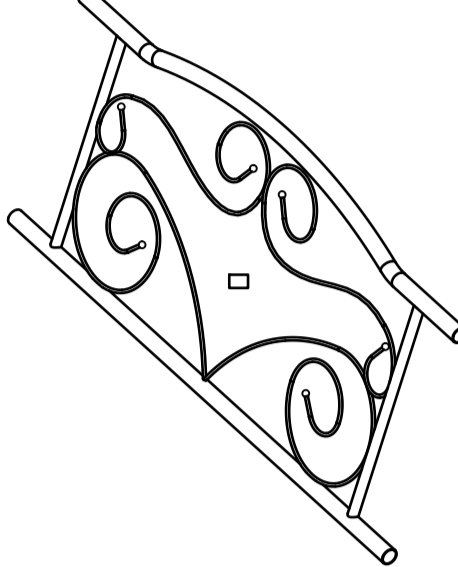
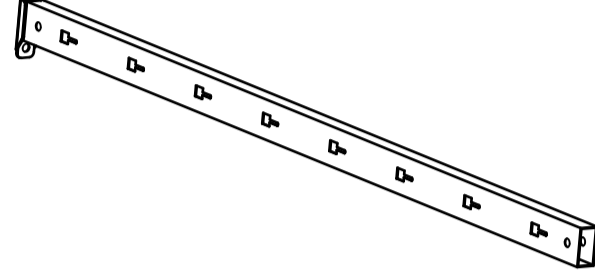
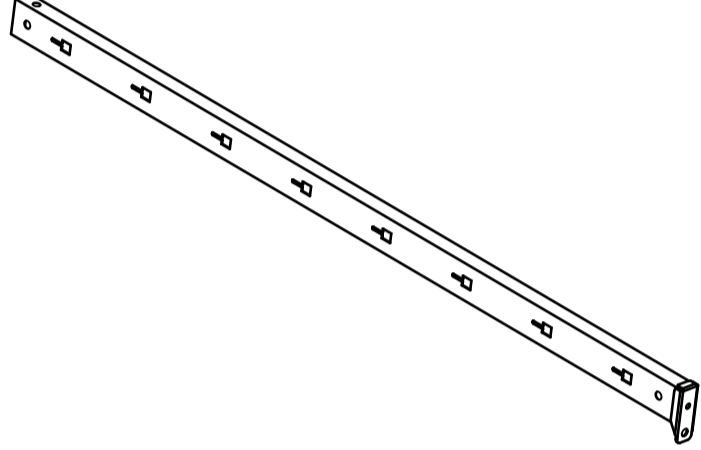
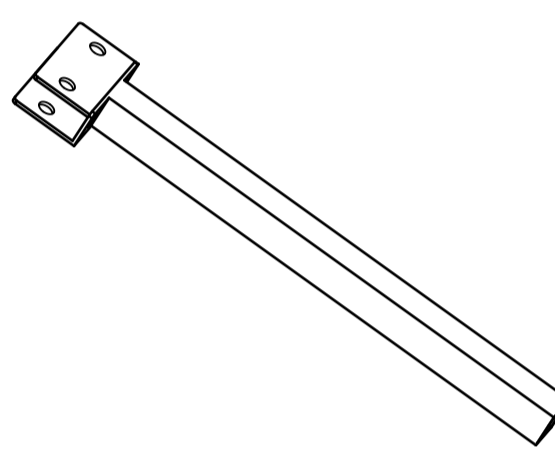
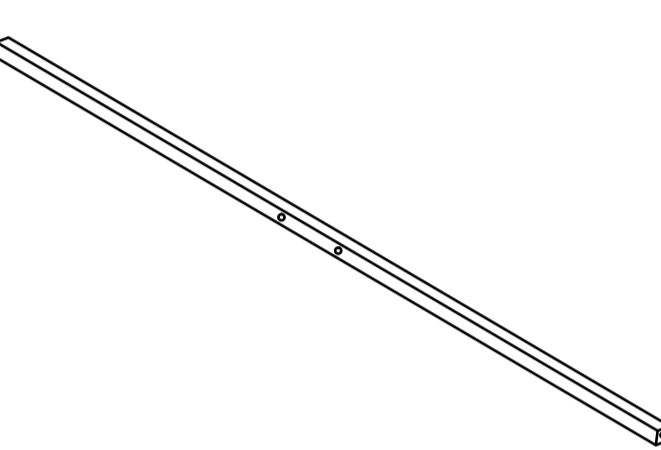
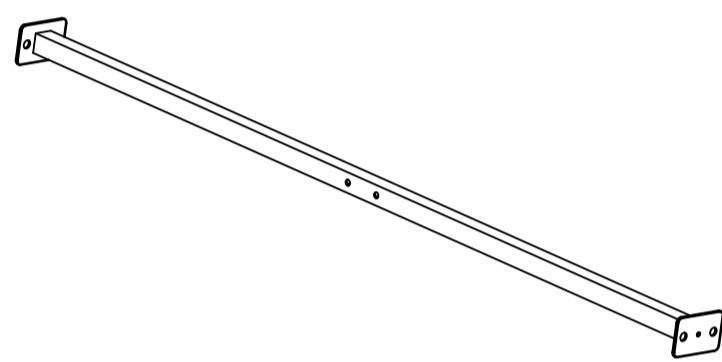
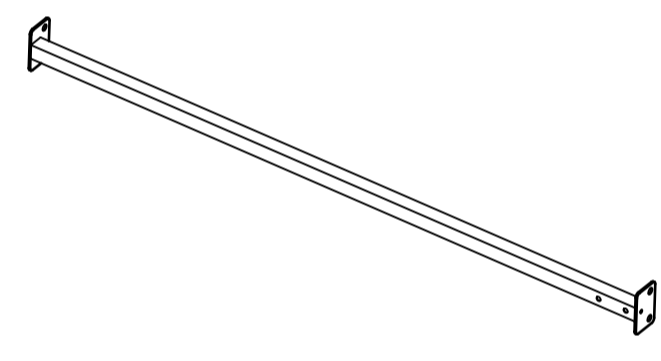
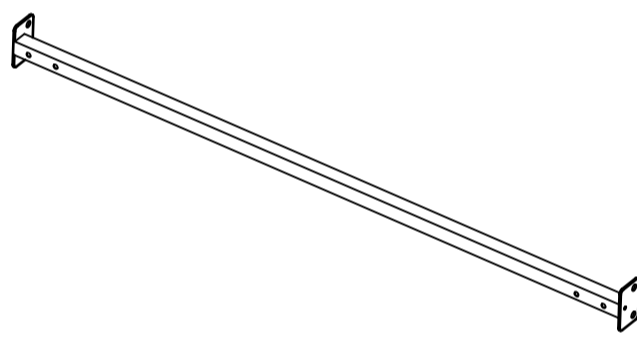
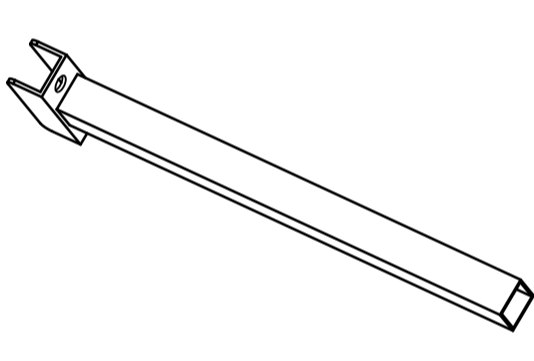
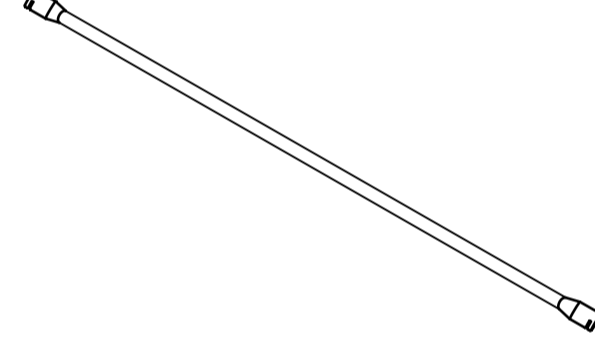
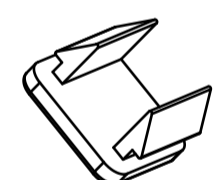
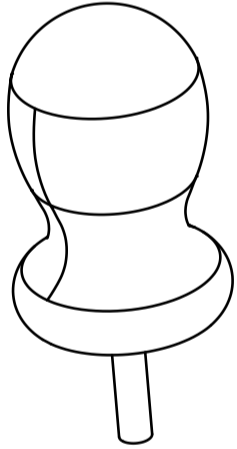
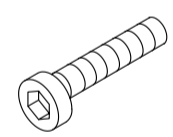
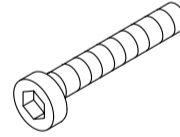
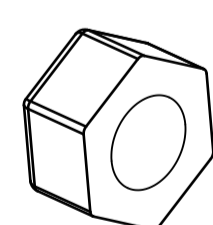
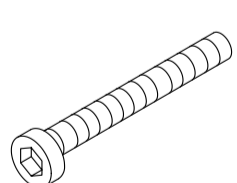
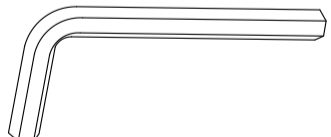
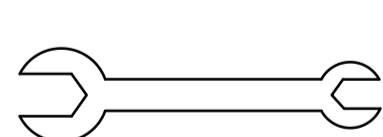
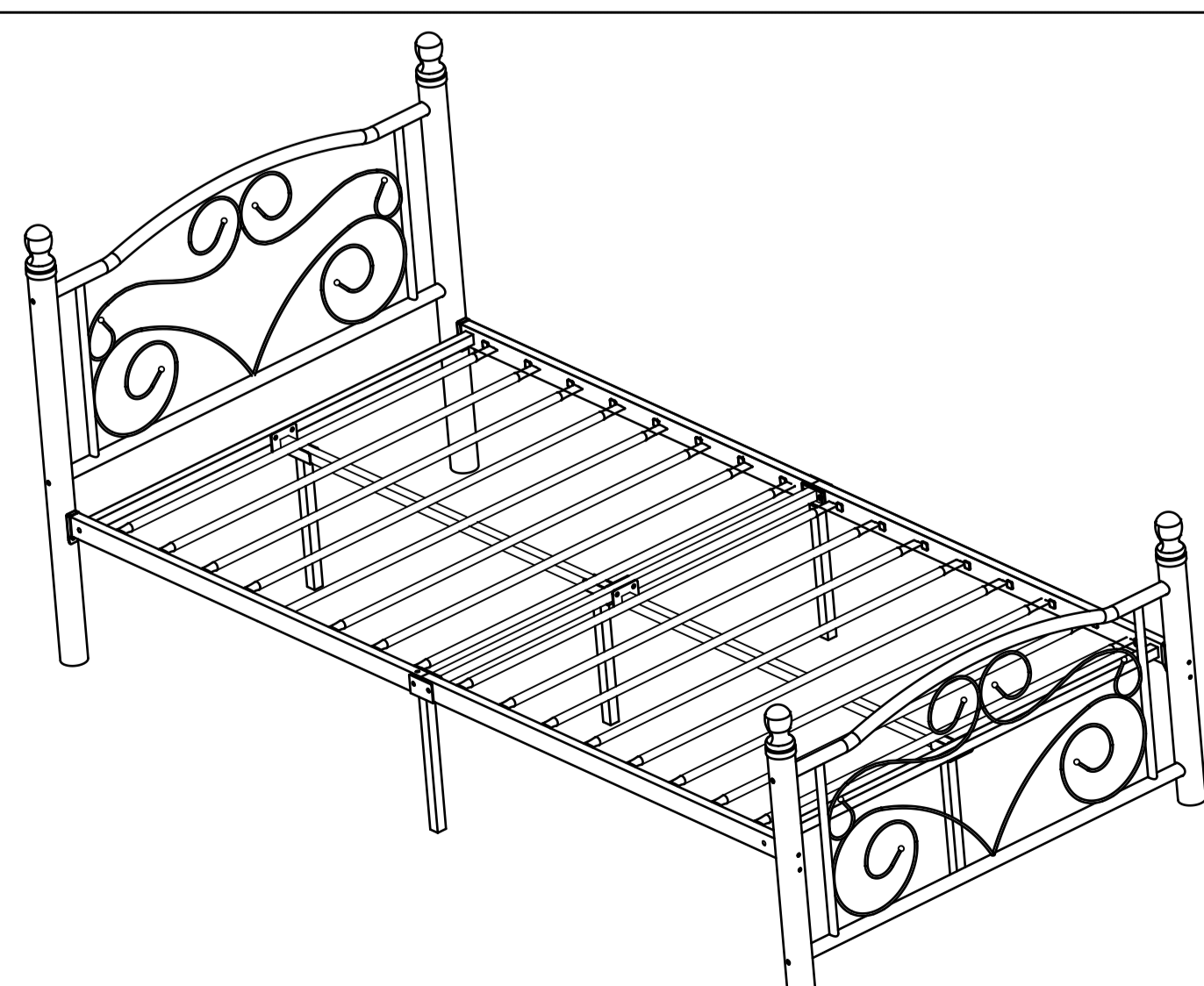


# ASSEMBLY INSTRUCTION

2021FW-1(3A)/ 2021QW-1(3A) AVERNY WHITE METAL FULL/ QUEEN PLATFORM BED

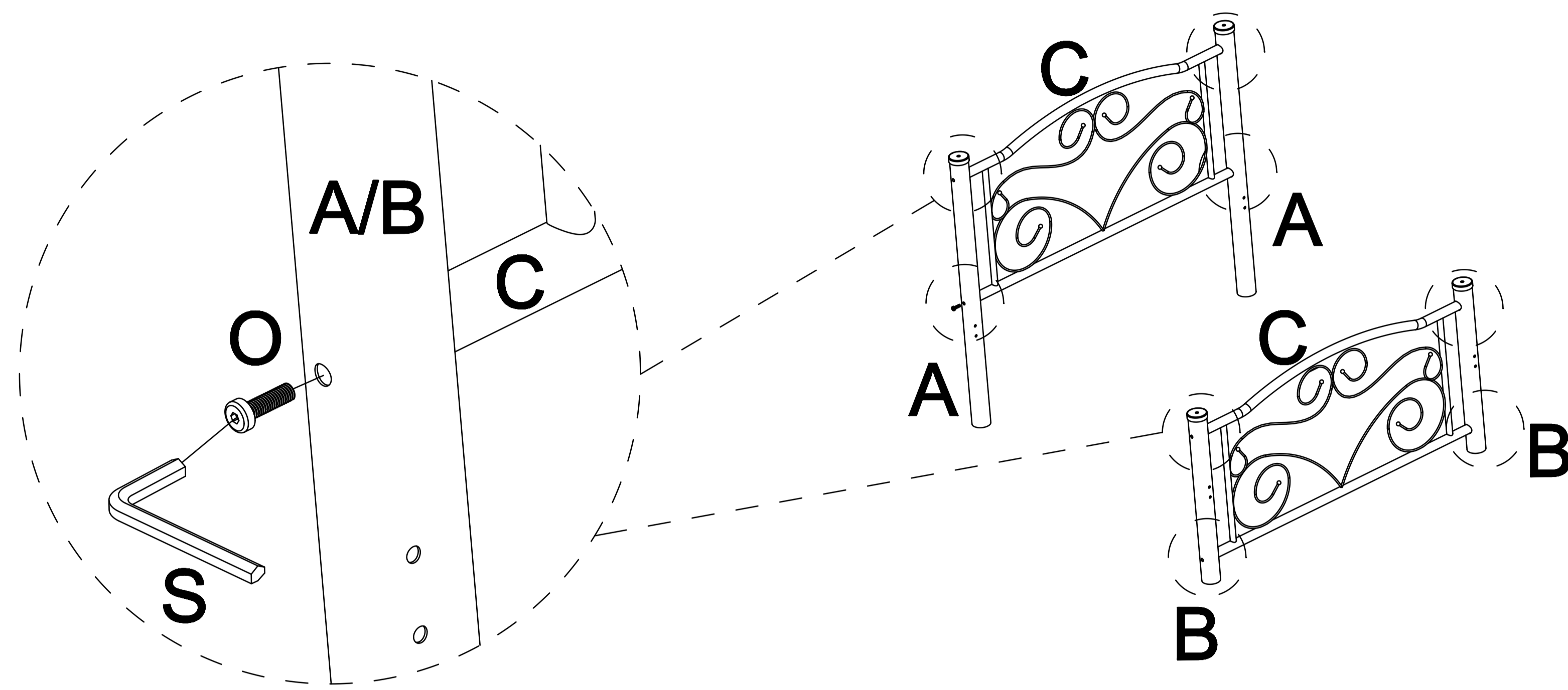
<b>A</b> LSF/RSF Headboard Post	<b>B</b> LSF/RSF Footboard Post	<b>C</b> Headboard/ Footboard	<b>D</b> Rail Section(1)
 2PCS	 2PCS	 2PCS	 2PCS
<b>E</b> Rail Section(2)	<b>F</b> Rail Support Leg	<b>G</b> Front Support Bar	<b>H</b> Center Support Bar
 2PCS	 2PCS	 2PCS	 1PC
<b>I</b> Front Center Rail	<b>J</b> Rear Center Rail	<b>K</b> Center Support Leg	<b>L</b> Slat
 1PC	 1PC	 3PCS	 16PCS
<b>M</b> Slat Connector	<b>N</b> Finial	<b>O</b> Bolt 1/4"*13mm	<b>P</b> Bolt 1/4"*36mm
 32PCS	 4PCS	 22PCS	 10PCS
<b>Q</b> Nut 1/4"	<b>R</b> Bolt 1/4"*55mm	<b>S</b> L-Allen Key 4mm	<b>T</b> Wrench
 10PCS	 8PCS	 1PC	 1PC



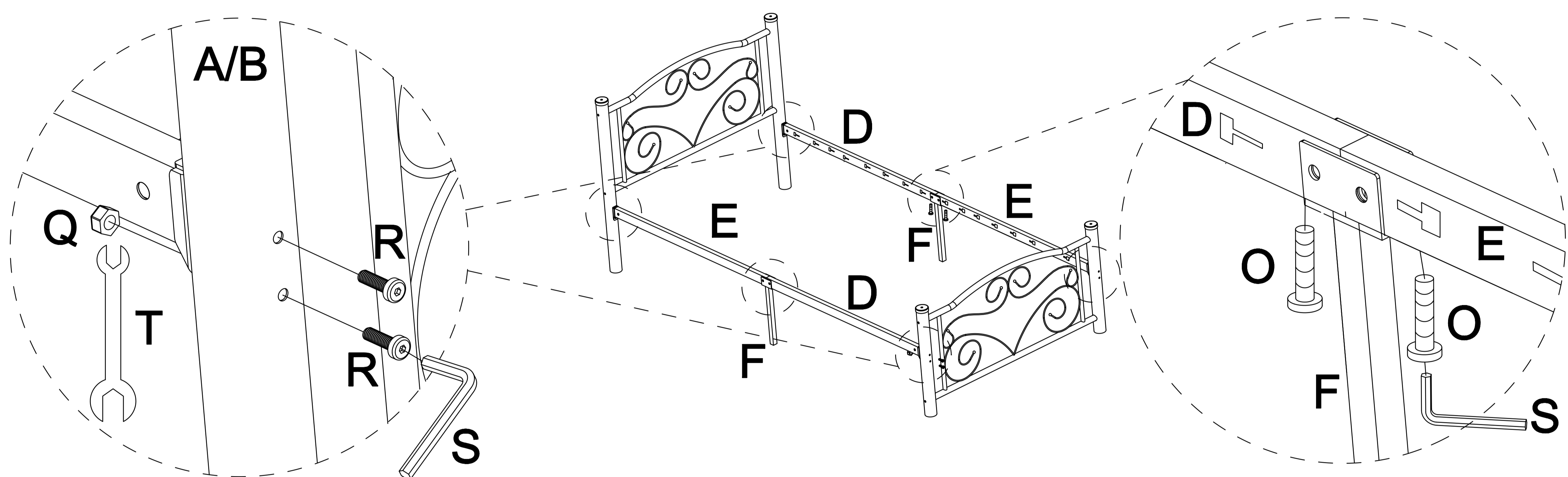
This page lists all the contents included in the box. Please take the time to identify the hardware as well as the individual components to this product. As you unpack and prepare for assembly, place the contents on a carpeted or padded area to protect them from damage.

**1**

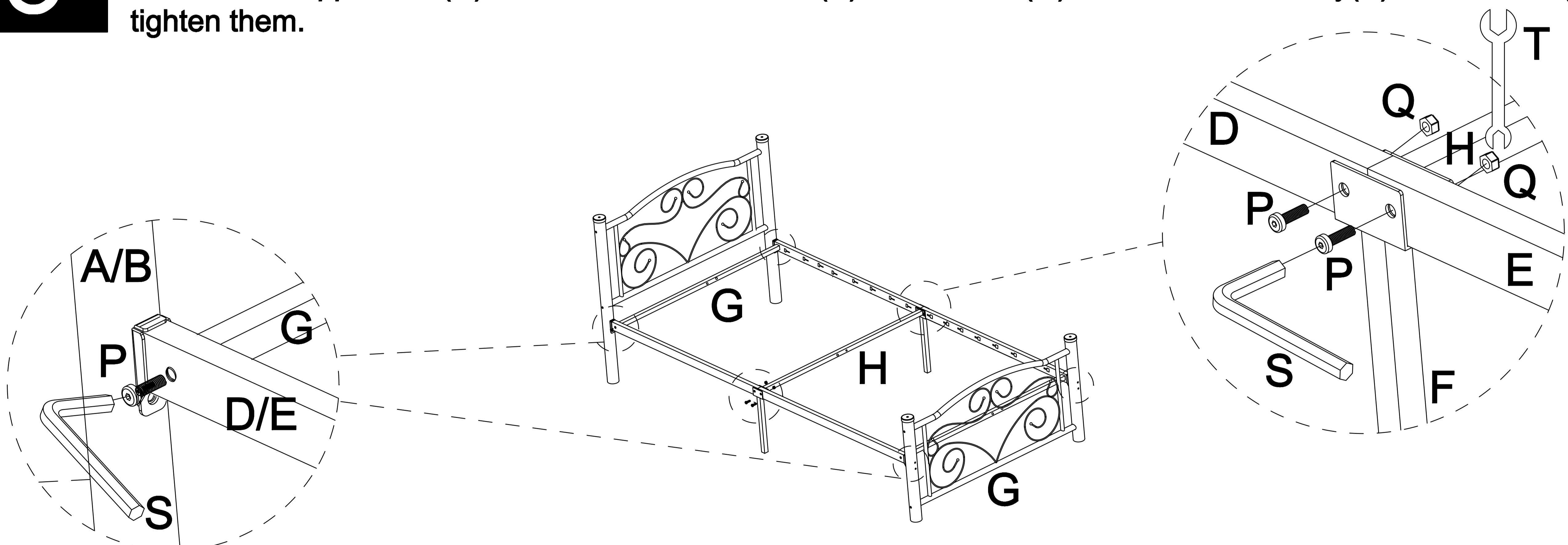
Align the LSF/RSF Headboard Post(A) to the Headboard/Footboard(C), insert the Bolt(O) to the holes, turn the L-Allen Key(S) to tighten them. Align the LSF/RSF Footboard Post(B) to the Headboard/Footboard(C), insert the Bolt(O) to the holes, turn the L-Allen Key(S) to tighten them.

**2**

Attach the Rail Section(1)(D), the Rail Section(2)(E) to the Headboard/Footboard(C), insert the Bolt(R) and Nut(Q), turn the L-Allen Key(S) and Wrench(T) to tighten them. Attach the Rail Support Leg(F) to the rail, insert the Bolt(O), turn the L-Allen Key(S) to tighten them.

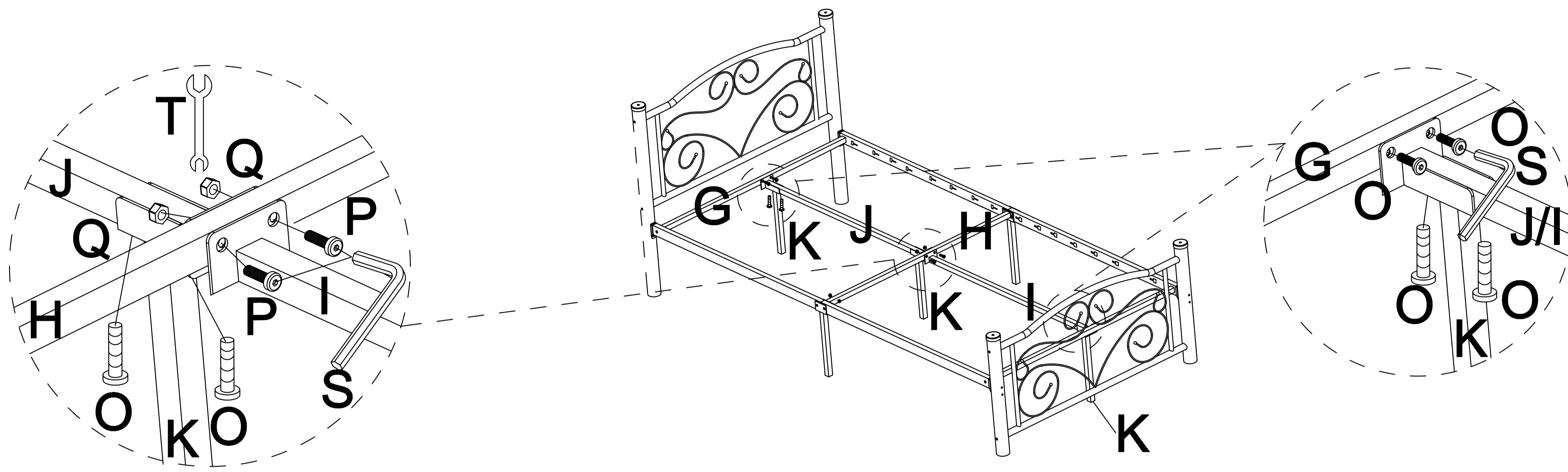
**3**

Attach the Front Support Bar(G) to the rail, insert the Bolt(P), turn the L-Allen Key(S) to tighten them. Then attach the Center Support Bar(H) to the rail, insert the Bolt(P) and the Nut(Q), turn the L-Allen Key(S) and Wrench(T) to tighten them.

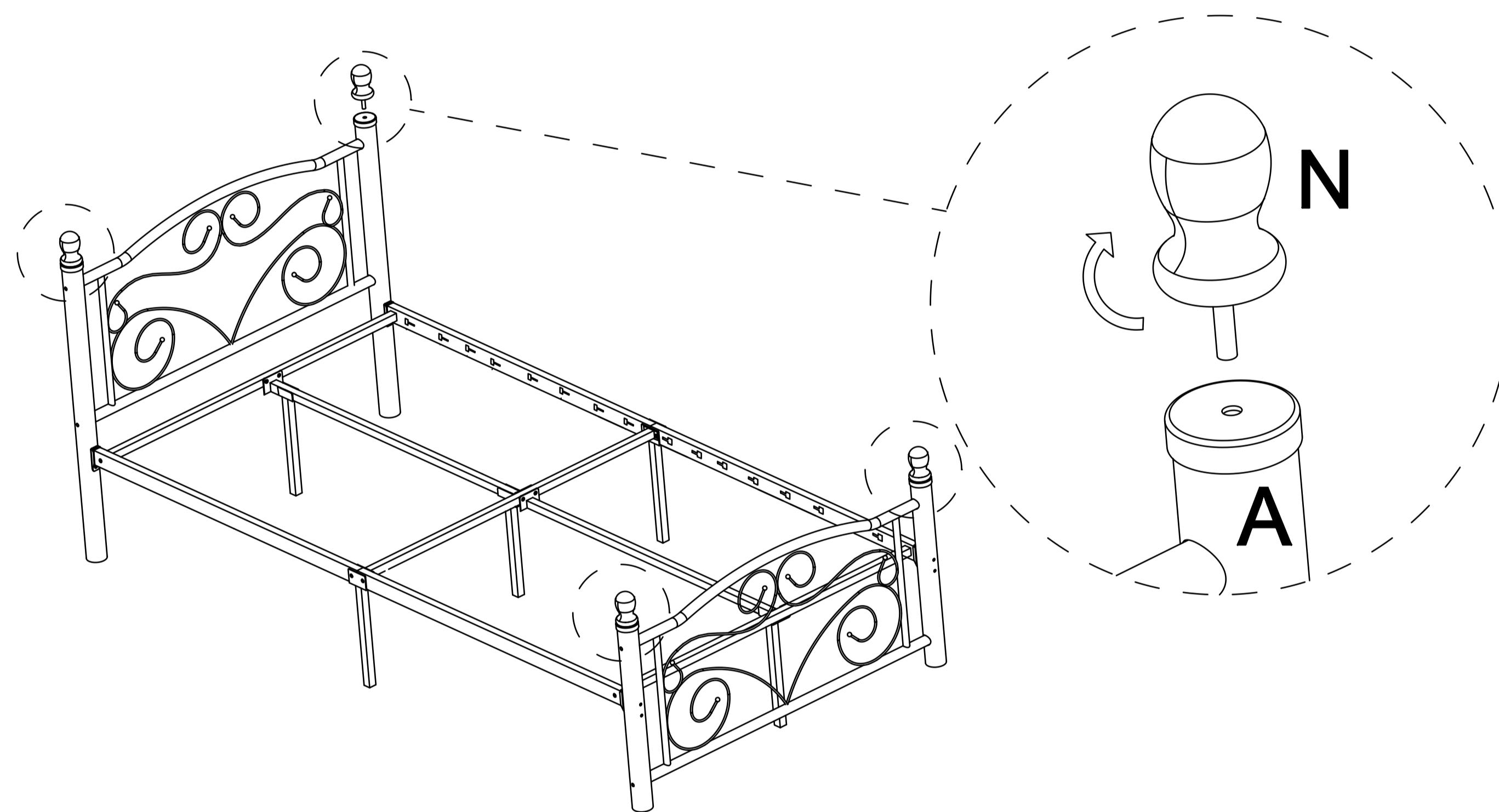


**4**

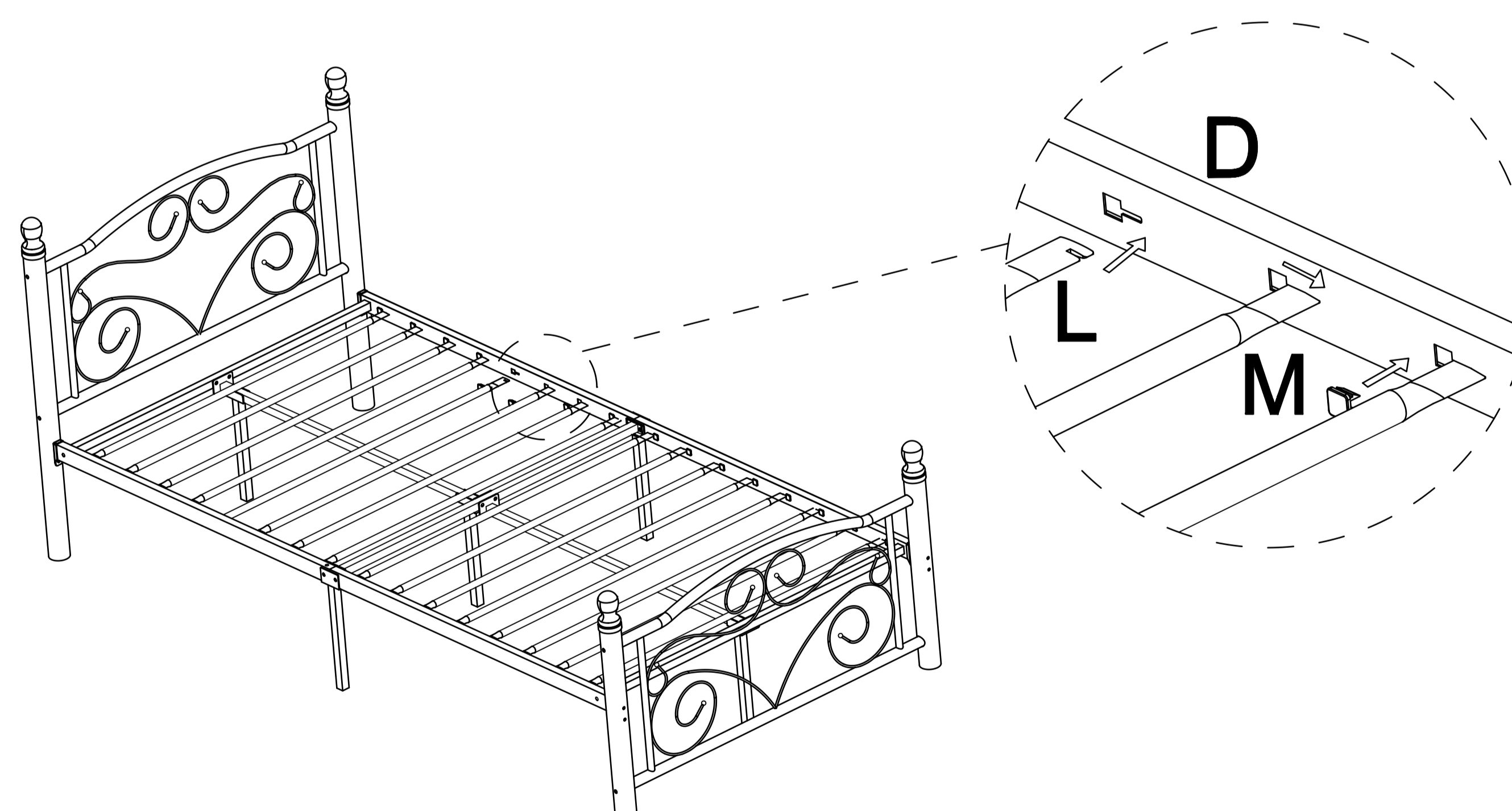
Attach the Front Center Rail(I) and Rear Center Rail(J) to the Support Bar(G)(H), insert Bolt(O) , turn the L-Allen Key(S) to tighten them. Attach the Center Support Leg(K)to the Center Rail, insert Bolt(O), Bolt(P) and Nut(Q), turn the L-Allen Key(S) and Wrench(T) to tighten them.

**5**

Attach the Finial(N) to the post , then tighten it.

**6**

Attach the Slat(L) and the Slat Connector(M) to the rail, then tighten it.



## Cleaning & Care

Treat surface with care. Surface is resistant to scratches but is not scratch-resistant. Clean surfaces with a dry or damp soft cloth. Do not use abrasive cleaners. Hardware may loosen over time. Periodically check that all connections are tight.