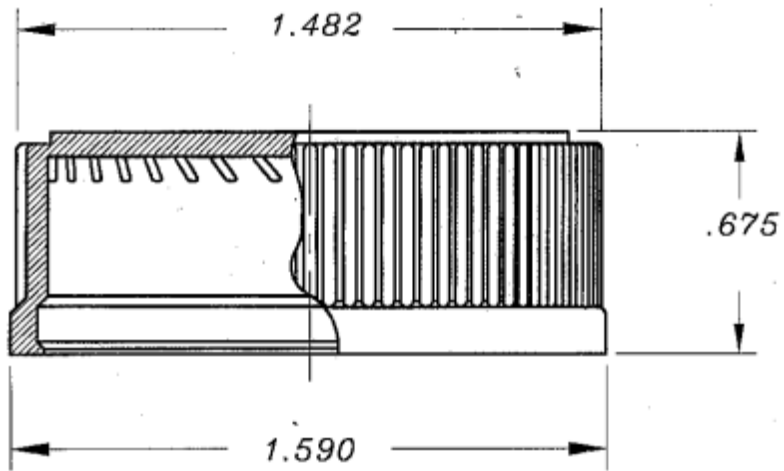
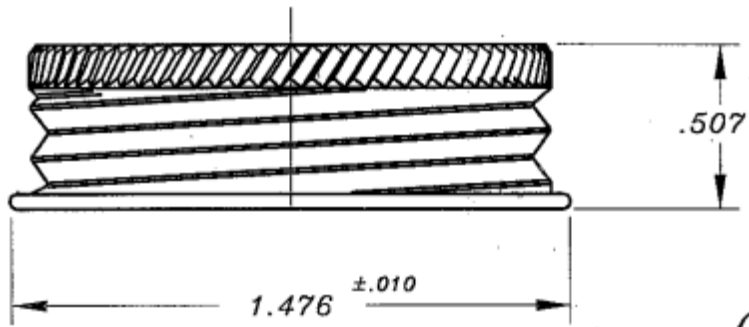
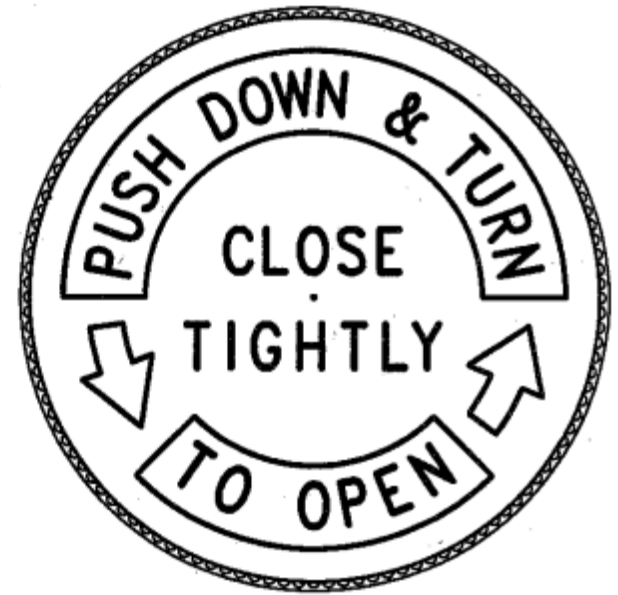


TOLERANCE: $\pm .015$ "

(Unless Specified)



PLASTIC
OVERCAP



METAL
INNERCAP

(7) Threads per Inch

DISCLAIMER

THIS INFORMATION IS PROVIDED AS A GENERAL GUIDE, INCLUDING DIMENSIONS. IT IS THE CUSTOMER'S RESPONSIBILITIES TO SELECT THE PROPER CONTAINER FOR PRODUCT AND APPLICATION COMPATIBILITY.

DISTRIBUTED BY:



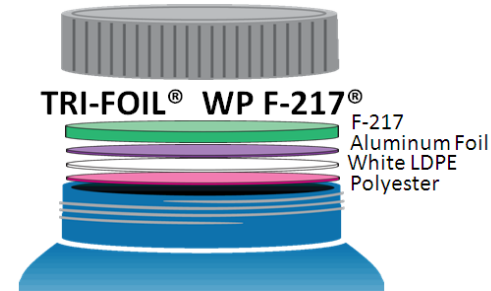
REF NO.:

DWG31101

DESCRIPTION:

1.25" Alpha White Metal Child Resistant Cap with .060 F217 Liner

- This data sheet describes Tri-Foil® WP F-217® products
- A clear PET film bonded to a white LDPE film bonded to aluminum foil bonded to three-ply co-extruded F-217® liner



Typical Product Attributes

Construction

Structure PET / White LDPE / Alum foil / F-217®	12,7µm / 50,8µm / 8,9µm / F-217®	0.0005" / 0.002" / 0.00035" / F-217®
Color	White or as Specified	White or as Specified
Density		
for 20 ~ 30 mil (0,51 ~ 0,76 mm) of F-217®	0,48 ± 0,03 g / cm ³	30 ± 2 lbs / ft ³
for 35 ~ 125 mil (0,89 ~ 3,18 mm) of F-217®	0,40 ± 0,03 g / cm ³	25 ± 2 lbs / ft ³
Thickness Tolerance		
for 20 ~ 60 mil (0,51 ~ 1,52 mm) of F-217®	± 0,127 mm	± 5 mil
for 65 ~ 90 mil (1,65 ~ 2,29 mm) of F-217®	± 0,178 mm	± 7 mil
for 95 ~ 125 mil (2,41 ~ 3,18 mm) of F-217®	± 0,254 mm	± 10 mil
Available Width		
for 20 ~ 60 mil (0,51 ~ 1,52 mm) of F-217®	25,4 ~ 482,6 mm	1 ~ 19 inch
for 65 ~ 125 mil (1,65 ~ 3,18 mm) of F-217®	25,4 ~ 228,6 mm	1 ~ 9 inch
Width tolerance	± 1,6 mm	± 1/16 inch

Regulatory Compliance

FDA Compliance	21 CFR 177.1520 (Olefin Polymers) 21 CFR 177.1210 (Closures with Sealing Gaskets for Food Containers) 21 CFR 178.2010 (Antioxidants and/or Stabilizers for Polymers) 21 CFR 175.300 (Resinous and Polymeric Coatings)
Drug Master File (DMF)	2434
Other Compliances	USFDA Food Allergen Guidelines; California Proposition 65 labeling requirements; Limitations of heavy metals in packaging per CONEG & EU 94/62/EC, article 11

DISCLAIMER

THIS INFORMATION IS PROVIDED AS A GENERAL GUIDE, INCLUDING DIMENSIONS. IT IS THE CUSTOMER'S RESPONSIBILITIES TO SELECT THE PROPER CONTAINER FOR PRODUCT AND APPLICATION COMPATIBILITY.

DISTRIBUTED BY:



REF NO.:

DWG31101

DESCRIPTION:

1.25" Alpha White Metal Child Resistant Cap with .060 F217 Liner