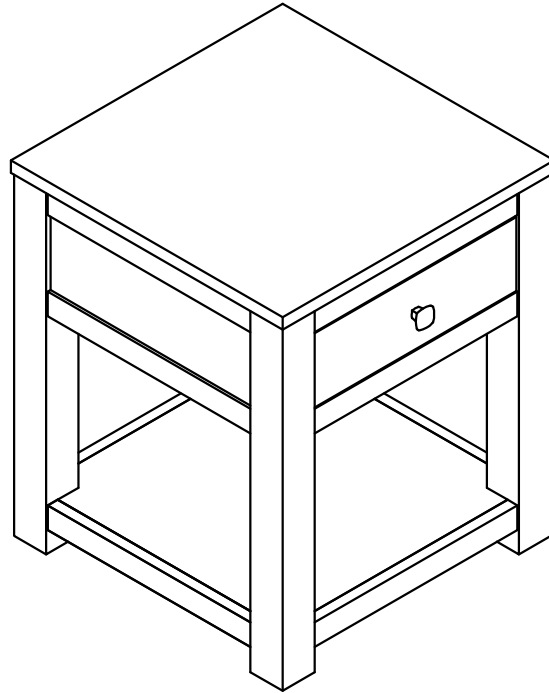


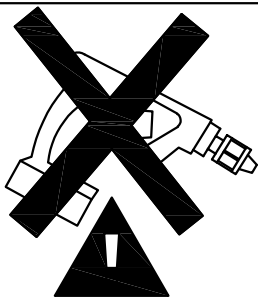
ASSEMBLY INSTRUCTION

End Table

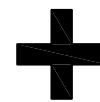
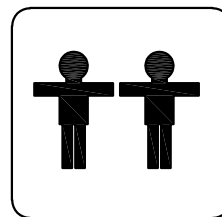


REPLACEMENT PARTS

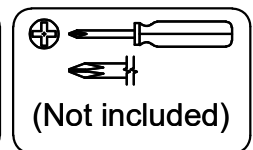
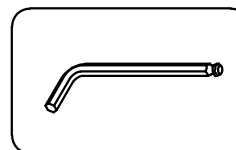
*Please do not contact the company purchased from as we can help you faster.
Order replacement parts and hardware at " www.boltonfurniture.com "*



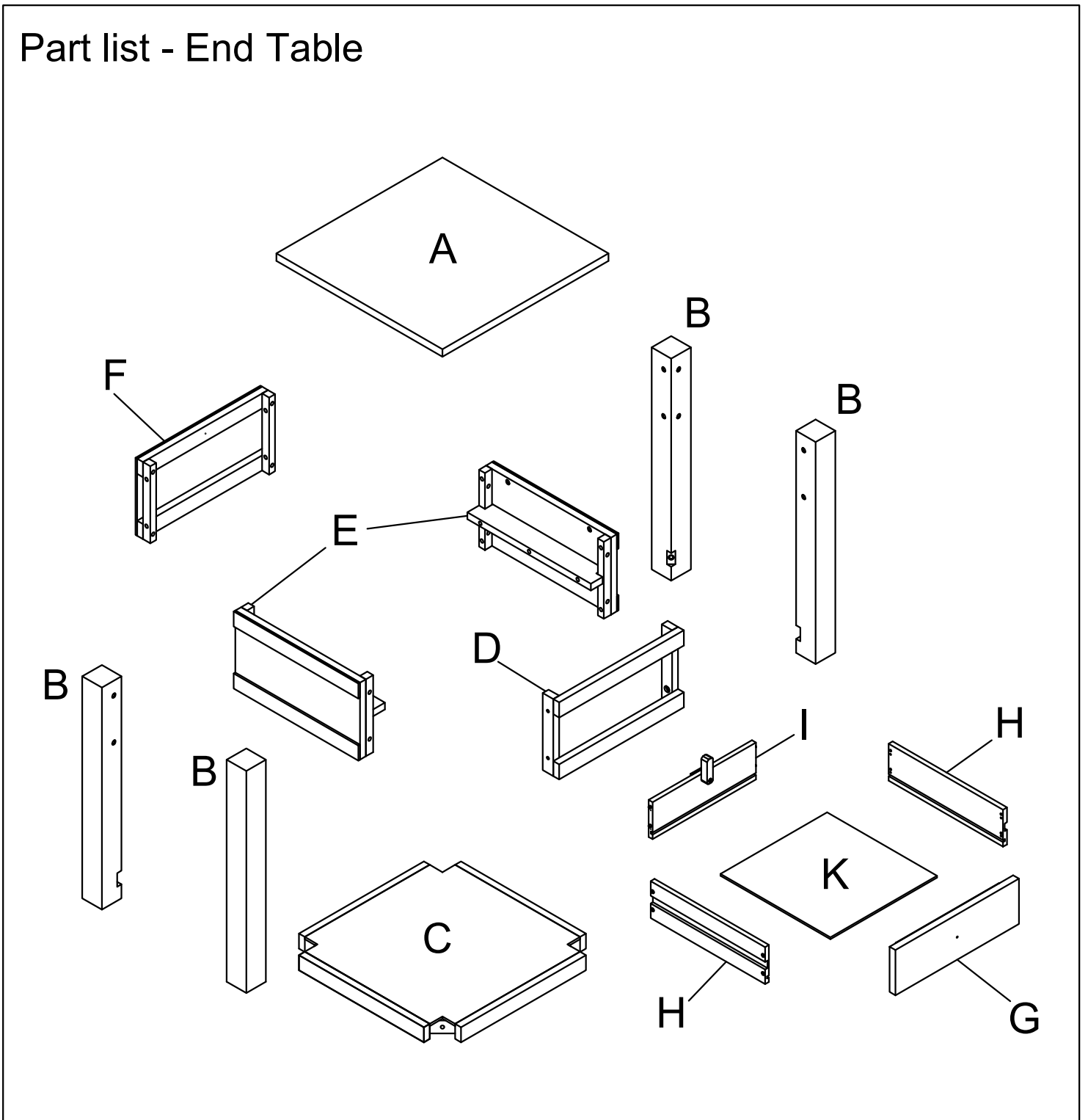
. Use of power tool to assemble this product will invalidate any claim and damage this product making it unsafe !!!
. Please assemble on a clean soft surface to avoid damage.




Tools Required




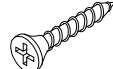
Part list - End Table





Identifying the hardware-Identify the hardware using the illustrations below


①  24
M6 x 35mm


②  24
Ø19 Washer


③  08
Ø4 x 25mm

④  04
Ø4 x 15mm

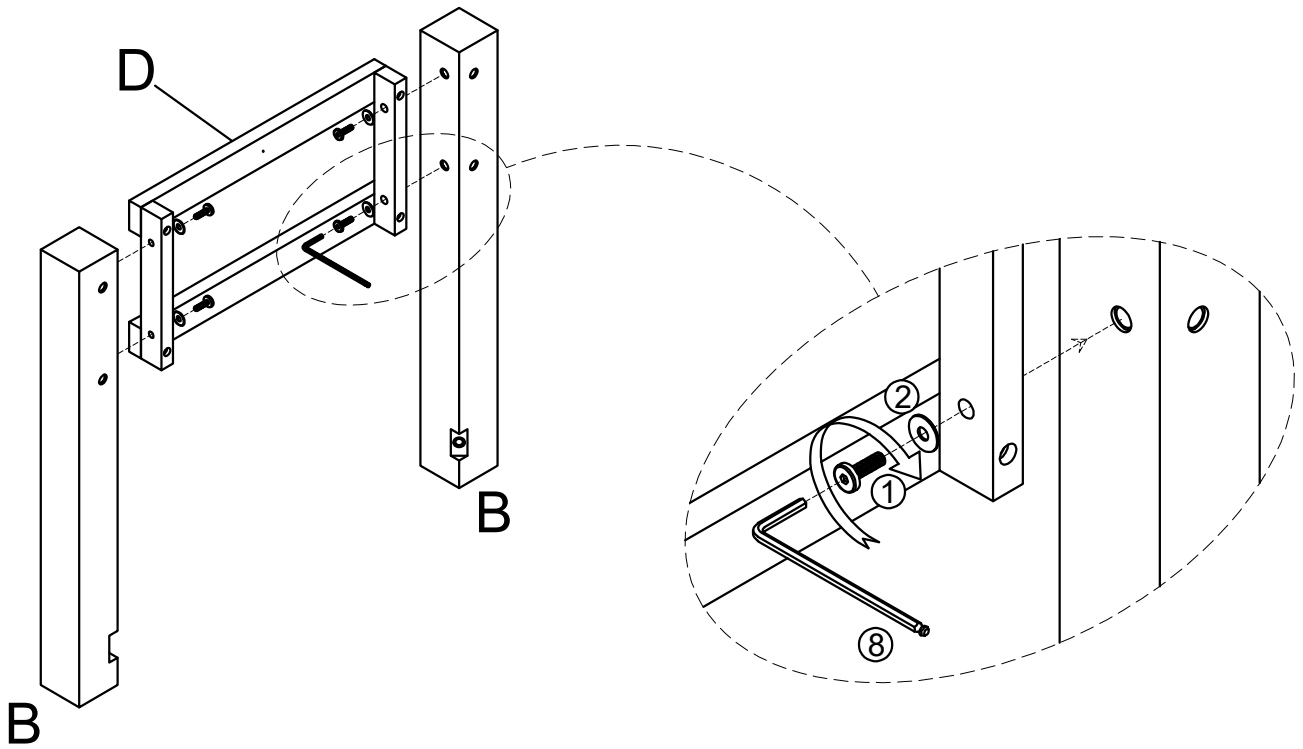
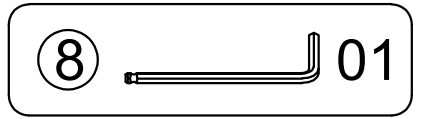
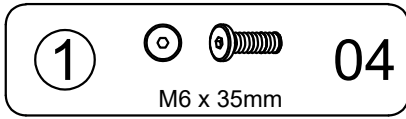
⑤  02
Metal Bracket

⑥  01
M4 x 35mm

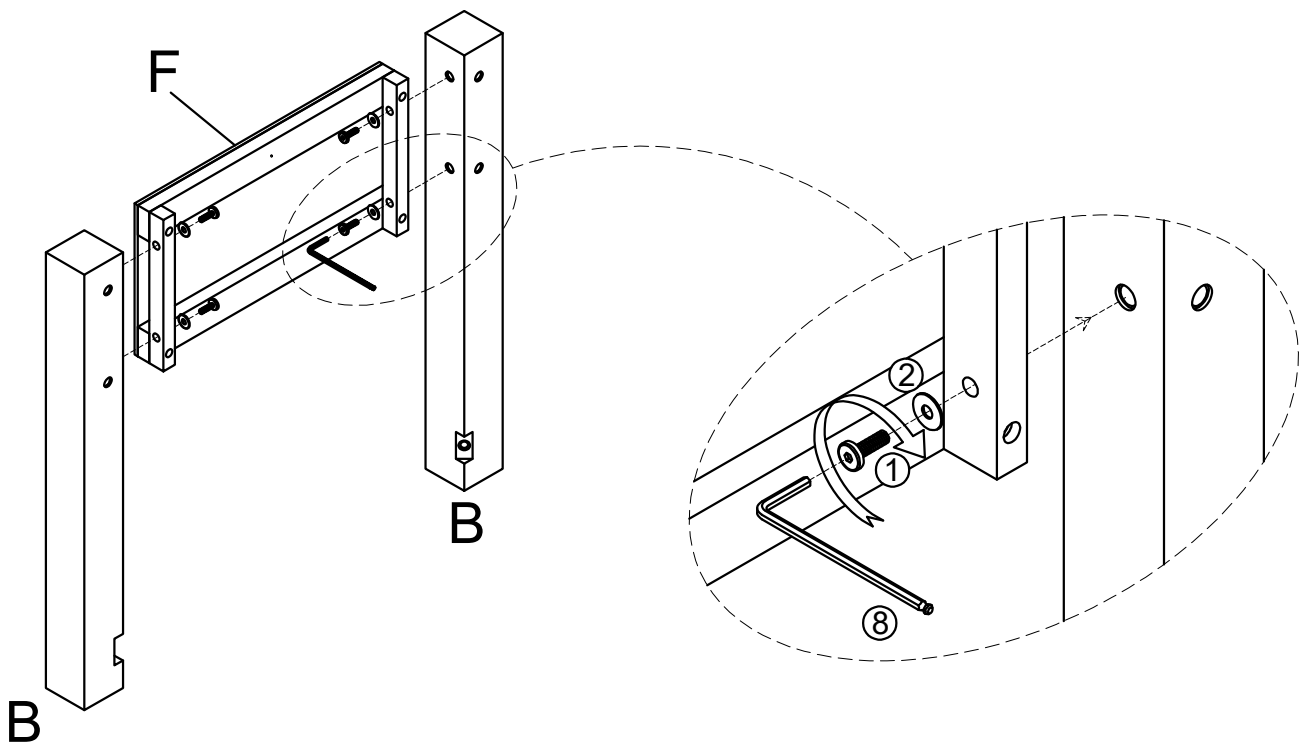
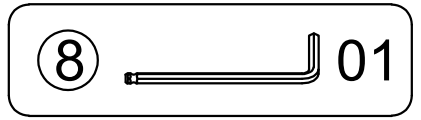
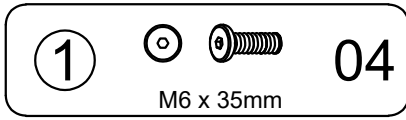
⑦  01
Knob

⑧  01

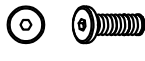
STEP 1




STEP 2

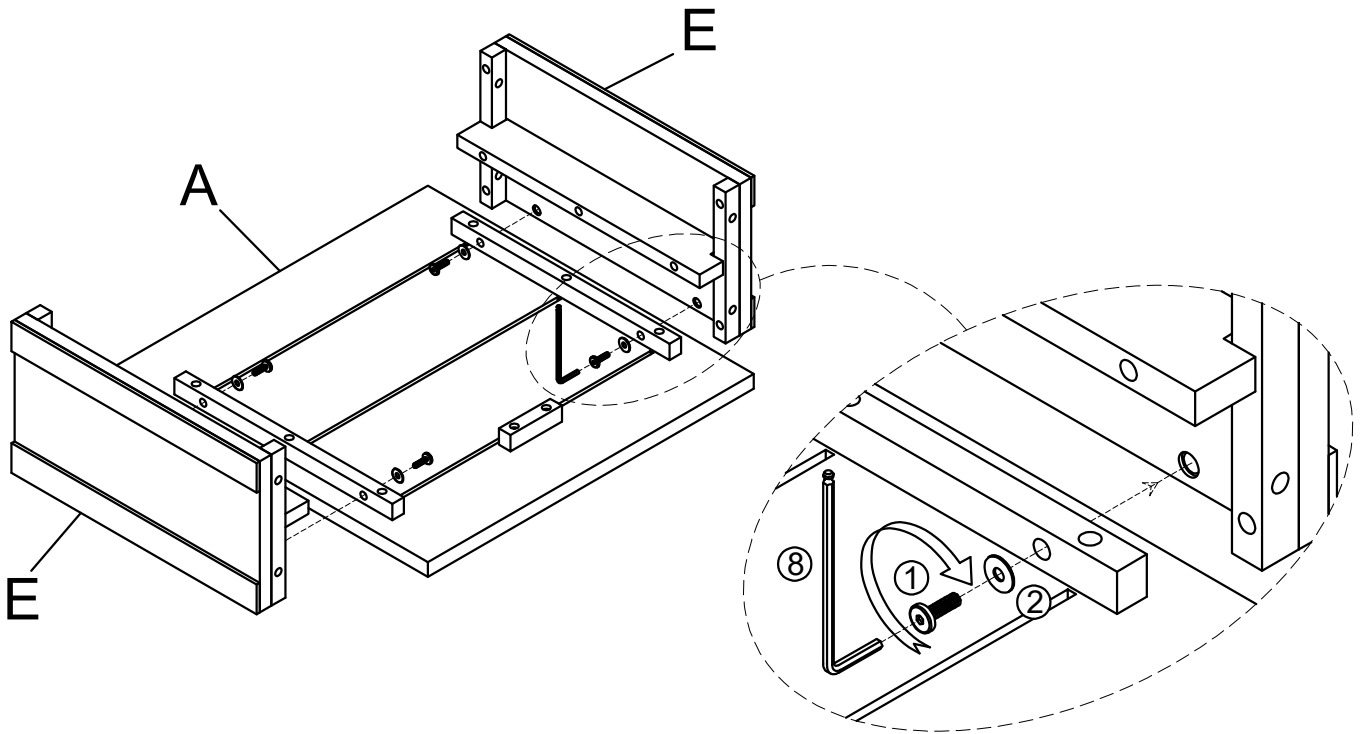


STEP 3


①  04
M6 x 35mm

②  04
Ø19 Washer

⑧  01

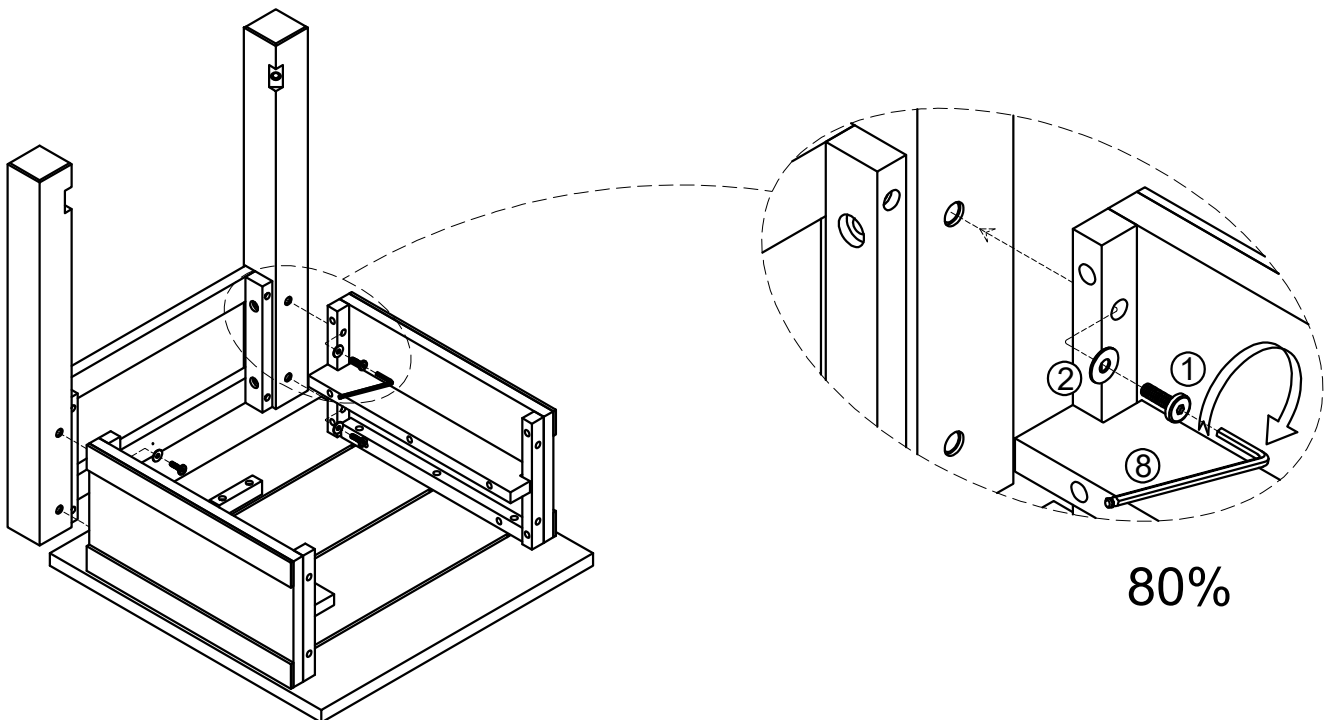


STEP 4

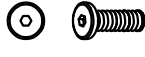
①  04
M6 x 35mm

②  04
Ø19 Washer


⑧  01

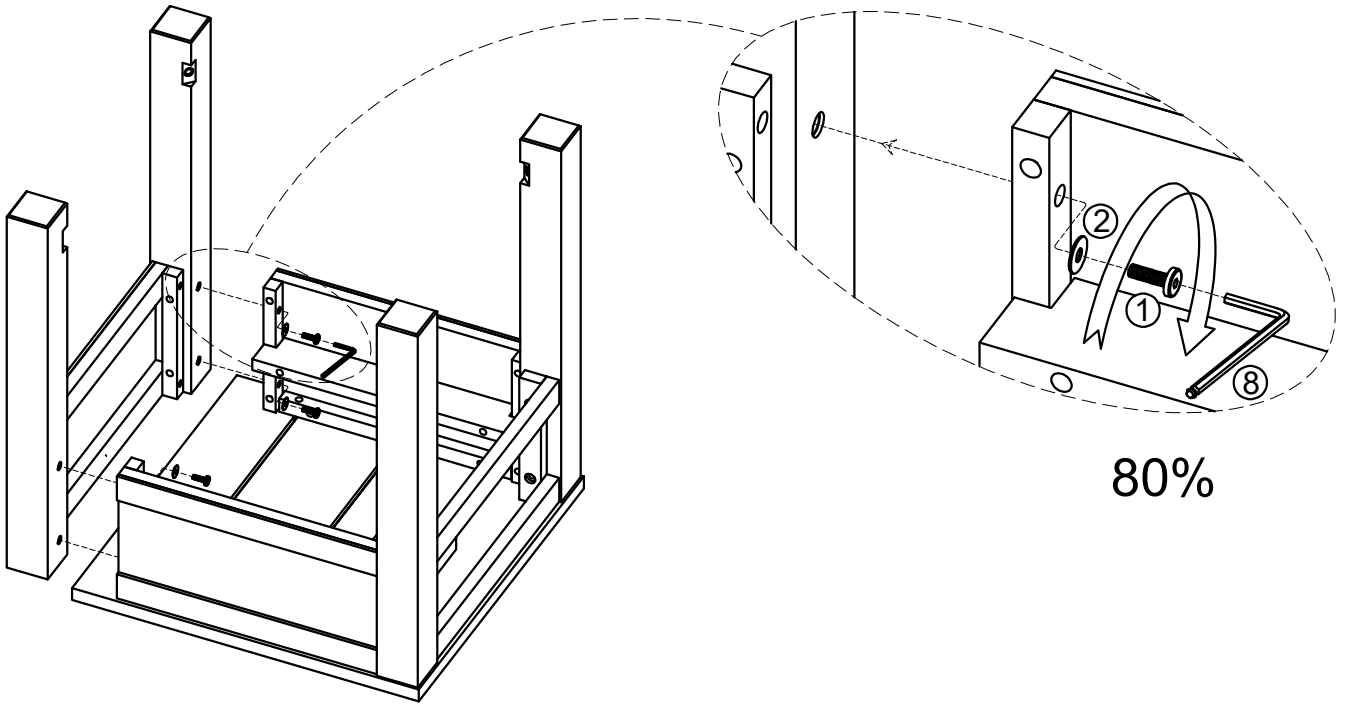


STEP 5

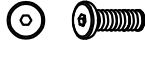
①  04
M6 x 35mm

②  04
Ø19 Washer

⑧  01

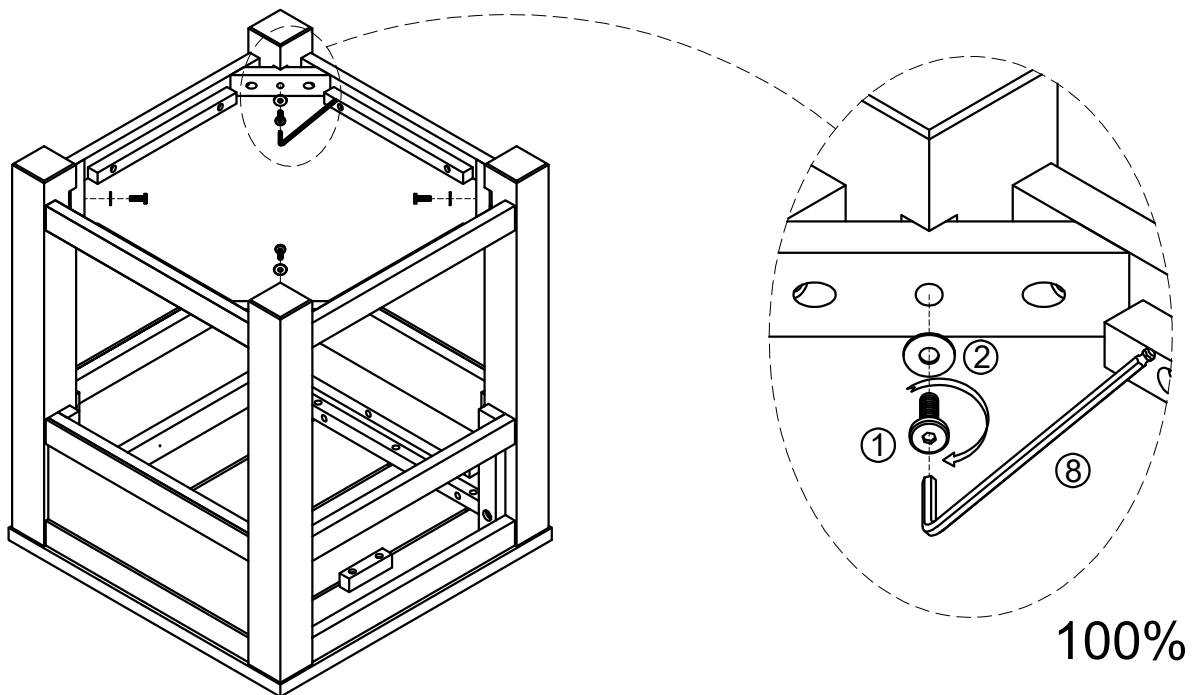


STEP 6

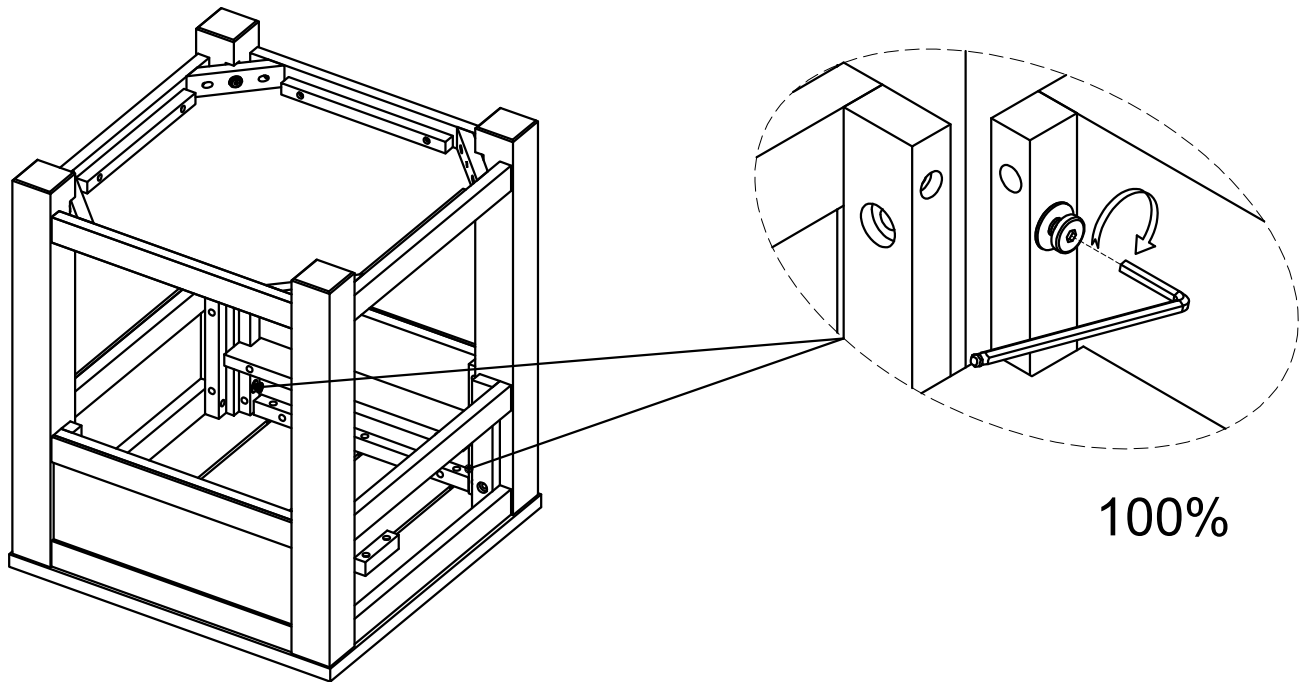
①  04
M6 x 35mm

②  04
Ø19 Washer



⑧  01

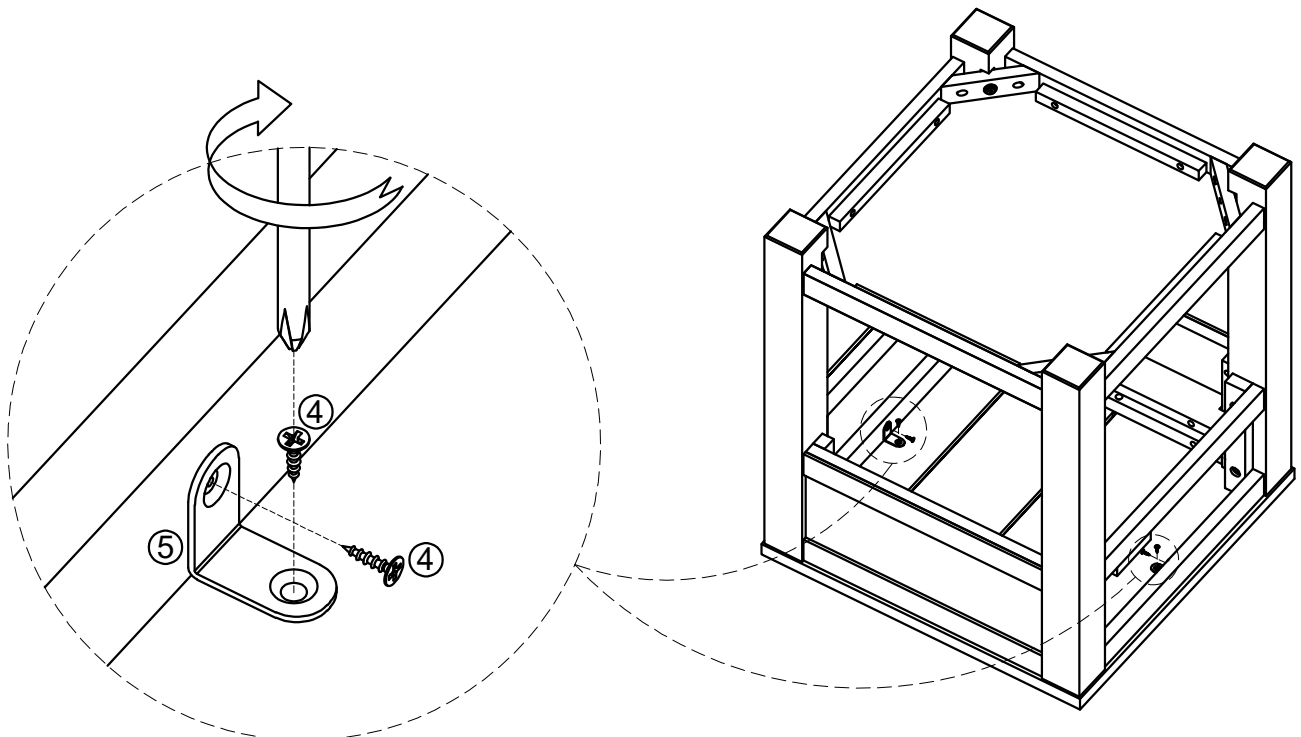


STEP 7

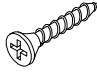


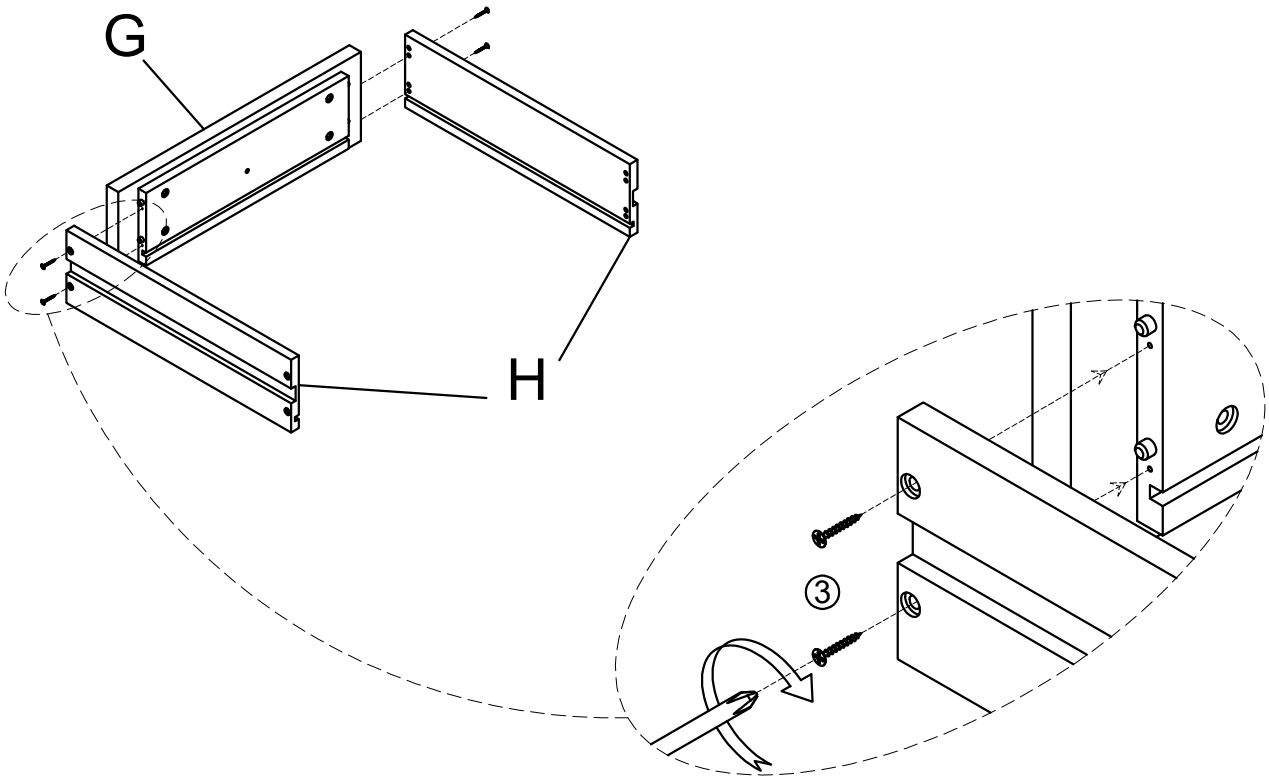
STEP 8

④		04	⑤		02
	Ø4 x 15mm			Metal Bracket	

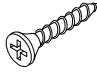


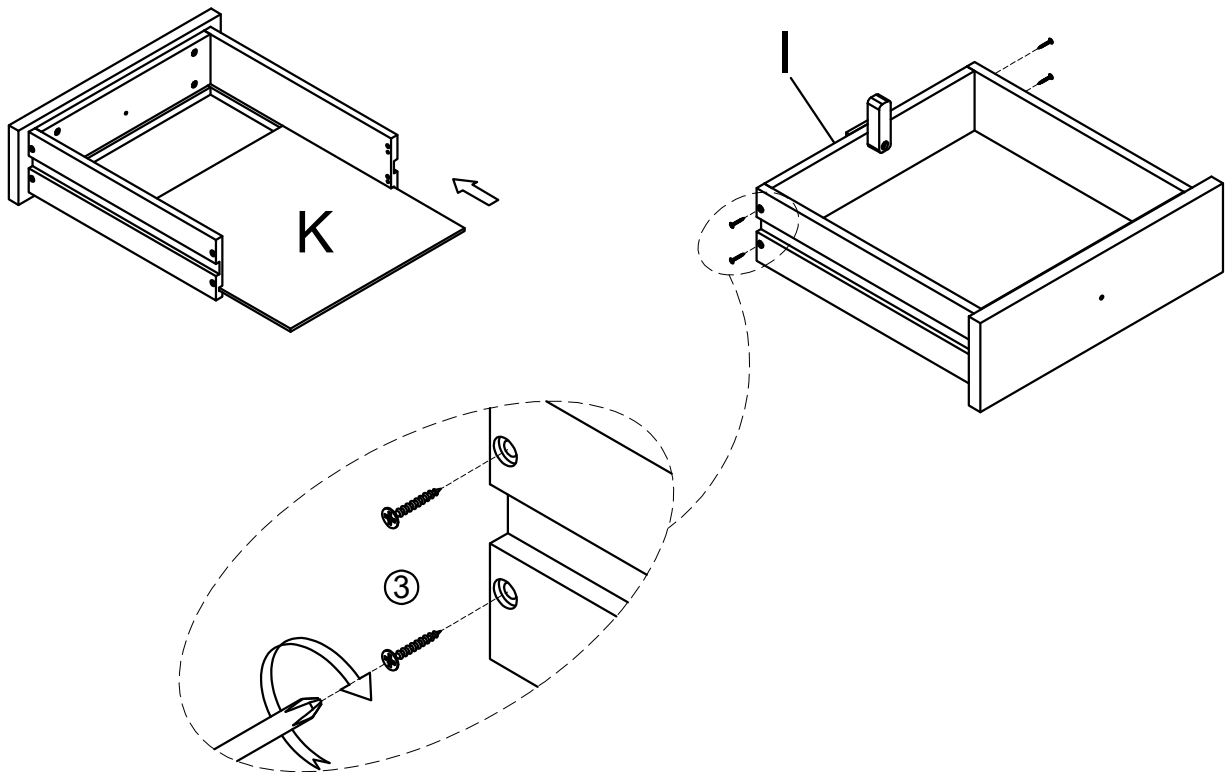
STEP 9

③  04
Ø4 x 25mm





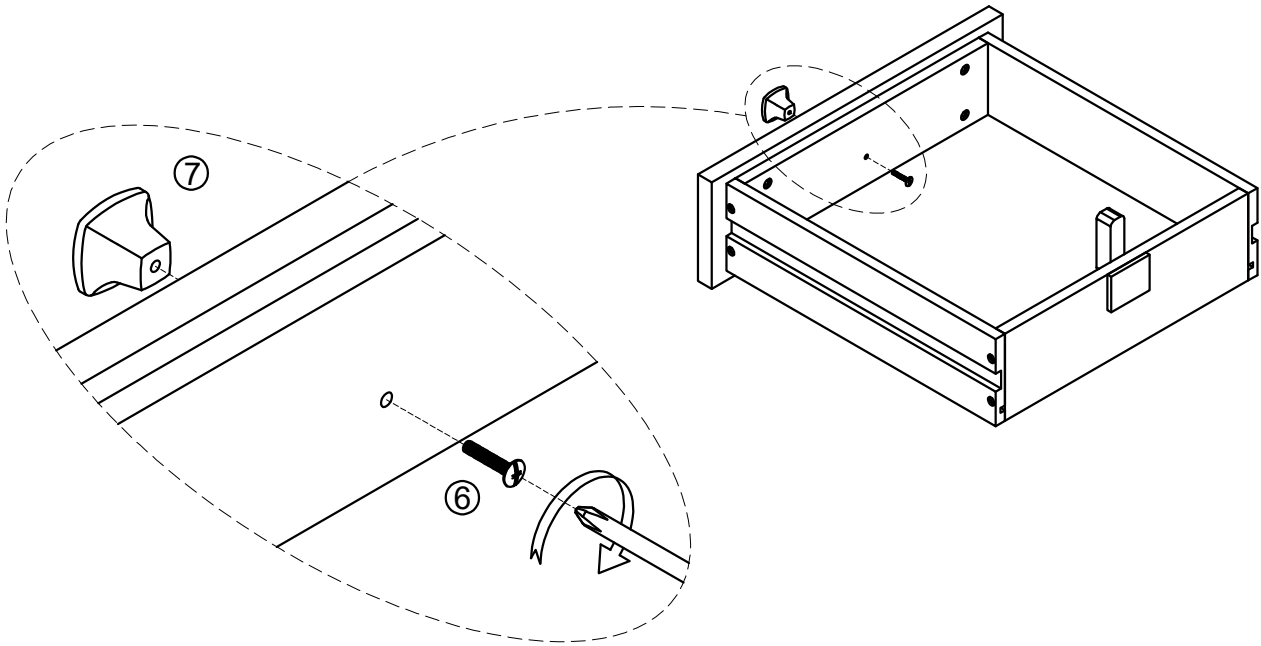
STEP 10

③  04
Ø4 x 25mm



STEP 11

⑥		01	⑦		01
	M4 x 35mm			Knob	



STEP 12

