

Features

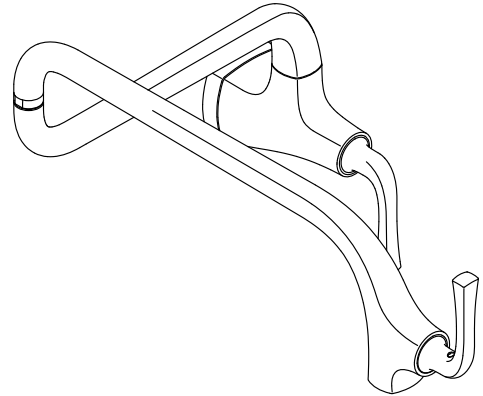
- Articulating spout with 360° rotation offers superior clearance for filling pots on cooktops and ranges
- 22-3/4" (578 mm) swing spout reach
- 3.2 gpm (12.1 lpm) flow rate at 60 psi (4.14 bar)
- Single lever handle with main lever shutoff
- KOHLER® ceramic disc valves exceed industry longevity standards for a lifetime of durable performance

Material

- Premium metal construction for durability and reliability
- KOHLER finishes resist corrosion and tarnishing

Installation

- Wall-mount



Codes/Standards



ASME A112.18.1/CSA B125.1
NSF/ANSI/CAN 61
NSF/ANSI/CAN 372

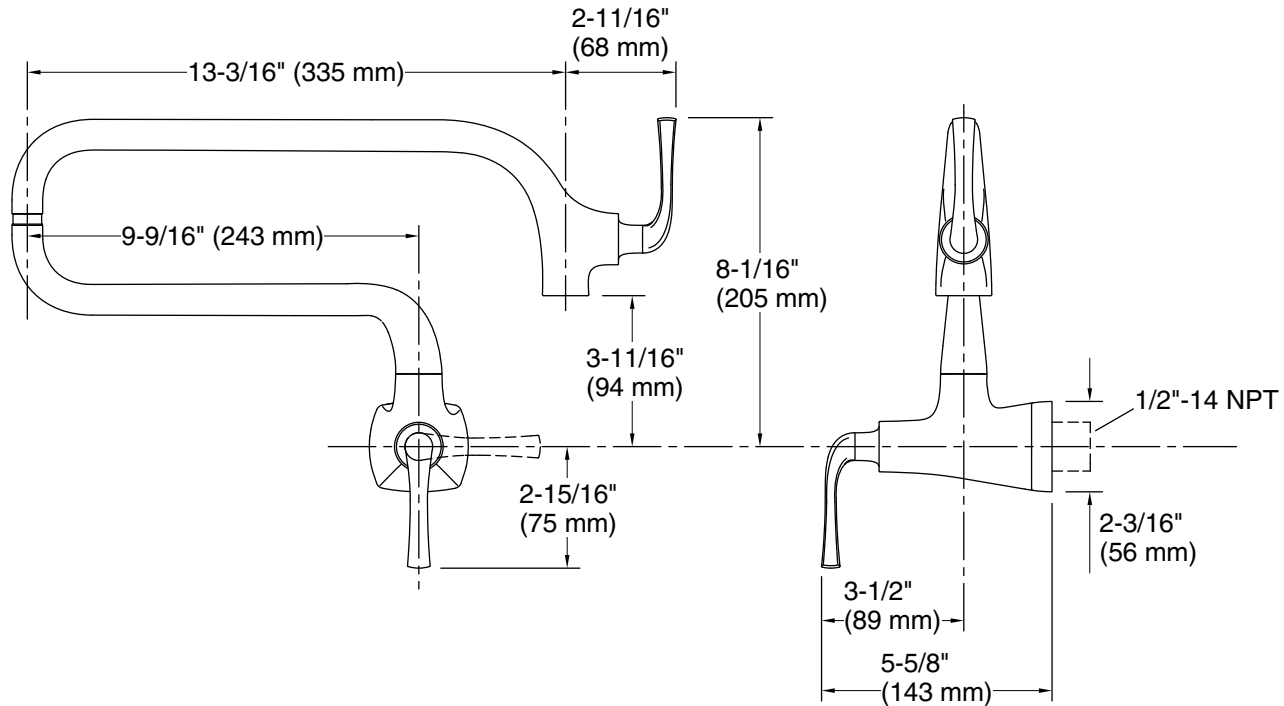
KOHLER® Faucet Lifetime Limited Warranty

See website for detailed warranty information.

Available Colors/Finishes

Color tiles intended for reference only.

| Color | Code | Description |
|---|------|--------------------------------|
|  | CP | Polished Chrome |
|  | SN | Vibrant® Polished Nickel |
|  | VS | Vibrant® Stainless |
|  | BV | Vibrant® Brushed Bronze |
|  | BL | Matte Black |
|  | 2MB | Vibrant® Brushed Moderne Brass |



Technical Information

All product dimensions are nominal.

Faucet flow rate: 3.2 gal/min (12.1 l/min)

Spout:

Spout reach: 3-9/16" (91 mm)

Notes

Install this product according to the installation instructions.