

# Installation Guide

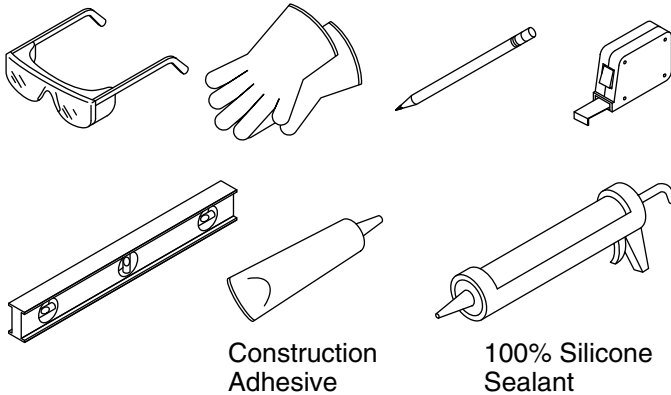
## Freestanding Bath

Français, page "Français-1"  
Español, página "Español-1"



1383921-2-B

## Tools and Materials



### Plus:

- Drop Cloth
- Shims
- 2x4s
- Wood Blocks
- 1/2" (13 mm) Exterior Grade Plywood (for Rim-mount Faucet)
- 1-1/2" Tailpiece

### Optional:

For installations with limited or no access below the bath.

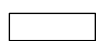
- 1-1/2" Straight or 90 Degree PVC Drain Elbow (Kohler 1069646 or Equivalent)
- Drain Elbow Gasket (Kohler 1068203 or Equivalent)

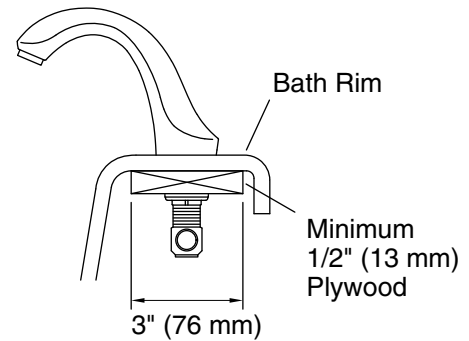
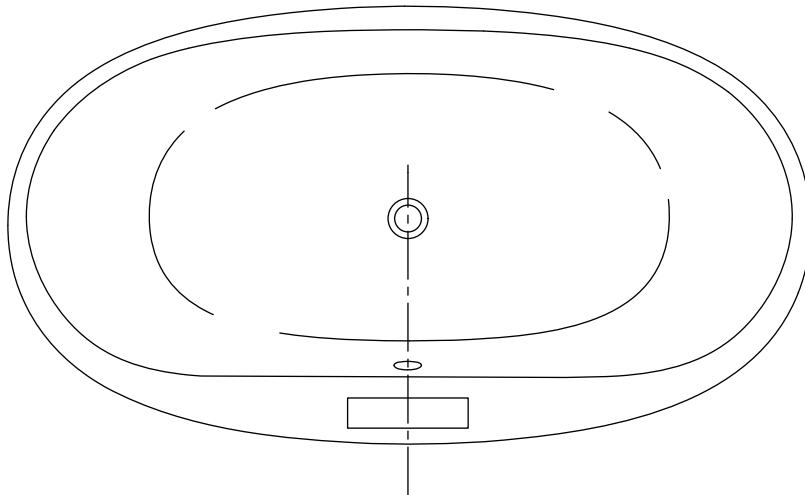
## Before You Begin

**IMPORTANT!** To ensure a successful installation, install the bath on a level finished floor.

**IMPORTANT!** Carefully follow the silicone sealant manufacturer's instructions for application and curing time.

- Observe all local plumbing and building codes.
- Determine the location of the bath.
- Make sure that the subfloor offers adequate support for the bath.
- Unpack and inspect the bath and components for damage. Return the bath and components to the carton until installation.
- For installations with limited or no access from below, install with a drain elbow and gasket.
- To simplify future maintenance, make sure that all plumbing connections around the bath are easily accessible.
- Two people are needed to install this product.
- This bath is designed for freestanding installation only.
- This bath features an integral overflow.
- Install a floor- or rim-mounted faucet with this freestanding bath.
- If installing a rim-mount faucet, make sure that there is no interference above or below the rim before drilling any holes.
- Your product may appear different from that shown. The installation procedure is the same.
- This bath conforms to CSA B45.5/IAPMO Z124. All dimensions are nominal.

 Recommended Faucet Location (See Specification Sheet for Dimensions)



## 1. Prepare the Rim-Mount Faucet (Optional)

**NOTICE:** Before installing a rim-mount bath faucet, refer to the specification sheet on the bath product page at [sterlingplumbing.com](http://sterlingplumbing.com) for faucet location dimensions for your model.

**NOTICE:** To accommodate the bath shroud, use flexible connections to attach the water supplies to a rim-mount faucet.

**NOTICE:** For rim-mount faucet installations, route the water supply lines high enough to permit access for making the final connections from above the shroud.

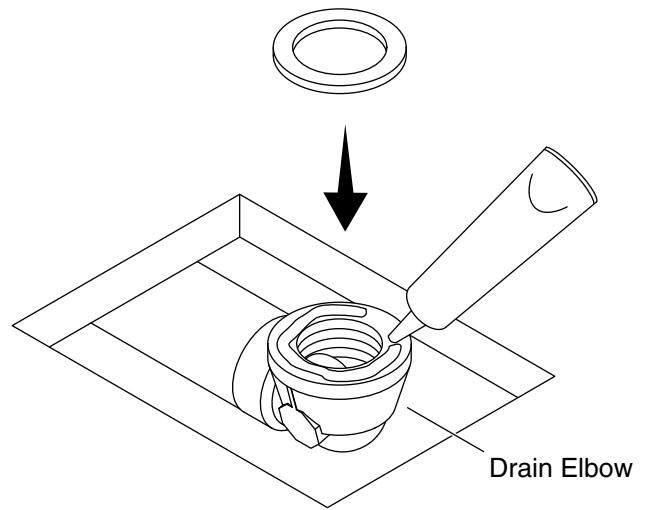
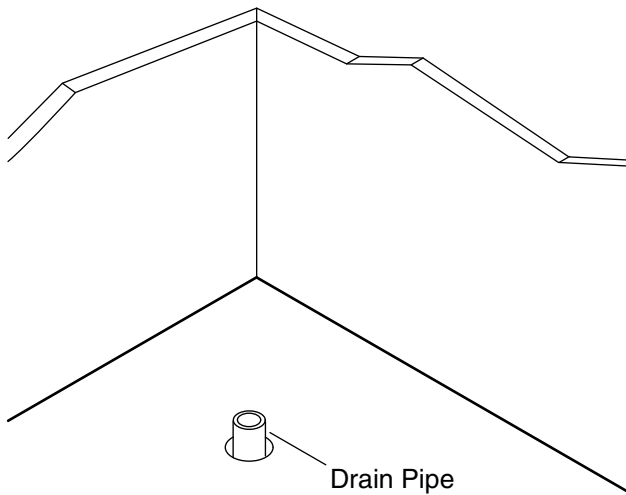
- Refer to the specification sheet on the bath product page at [sterlingplumbing.com](http://sterlingplumbing.com) to determine the recommended faucet location for your bath.
- Measure and cut a piece of 1/2" (13 mm) exterior grade plywood to support the faucet. The board should be 3" (76 mm) wide. The length should extend beyond the width of the faucet holes to ensure proper support.
- Locate the faucet in the desired location on the bath rim. Make sure the faucet trim fits on the bath rim without overhanging. Make sure that there is no interference above or below the rim before drilling any holes.
- Refer to the installation instructions packed with the faucet to determine faucet hole size.
- Use a pencil to mark the faucet hole centerlines. Do not drill the holes at this time.

**CAUTION: Risk of product damage.** To avoid scratching the bath, position a thin piece of cardboard under any clamps before tightening.

- Position the plywood on the underside of the rim, then clamp in place. Make sure that the clamps do not directly contact the finished surface of the bath.
- Carefully drill the faucet holes.

### Prepare the Rim-Mount Faucet (Optional) (cont.)

- Install the valve according to the installation instructions included with the valve. **Do not** install the faucet trim until instructed.



## 2. Install the Drain

**NOTE:** Provide access to all plumbing connections to simplify future maintenance.

### Drain Pipe Installation

**NOTE:** Recommended for installations with access below the bath.

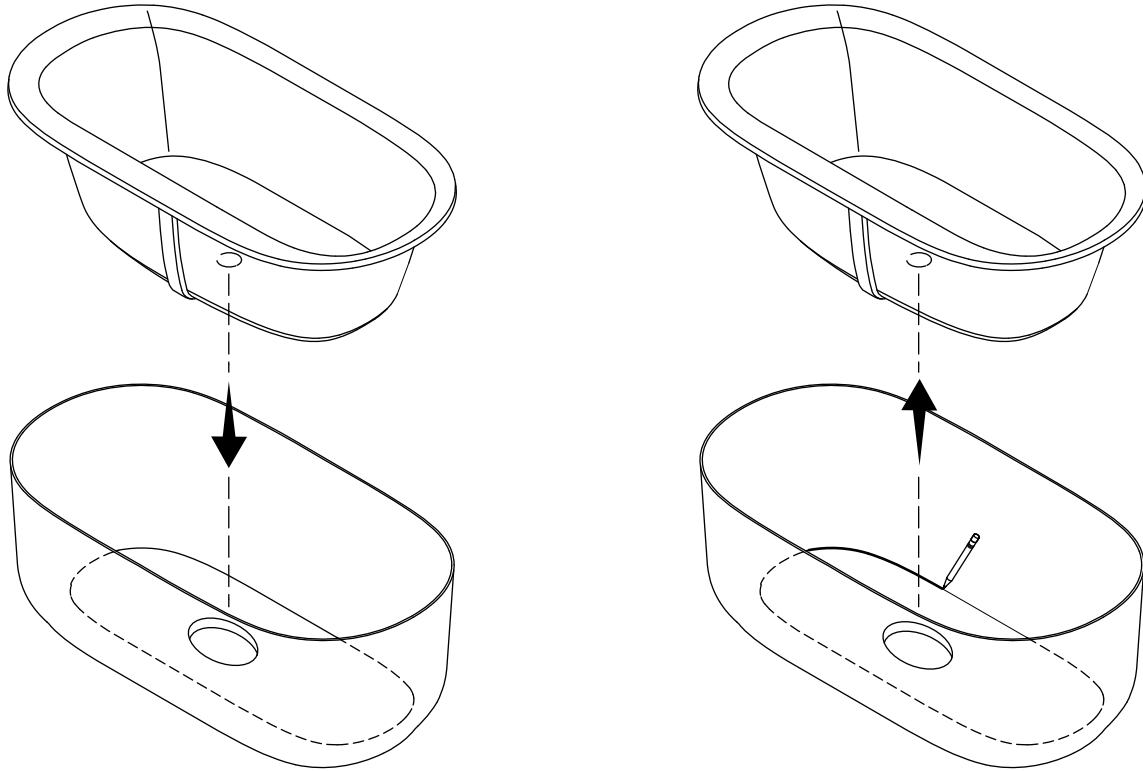
- Position and install a standard PVC or brass drain pipe.

### Drain Elbow Installation

**NOTE:** Recommended for installations with limited or no access below the bath. Use Kohler 1069646 drain elbow and 1068203 gasket or equivalent.

- Install a straight or 90 degree 1-1/2" PVC drain elbow to the drain.
- Apply a small amount of sealant to the drain elbow flange and place the gasket on the flange.

**IMPORTANT!** For a leak-free connection, the gasket must contact the bottom of the bath when installed.



### 3. Prepare the Bath

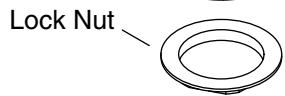
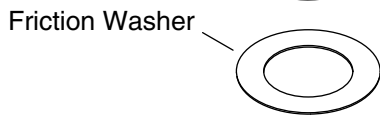
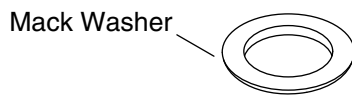
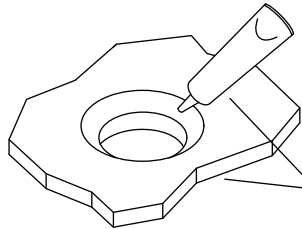
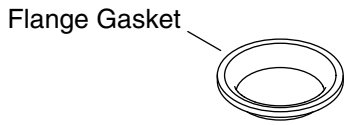
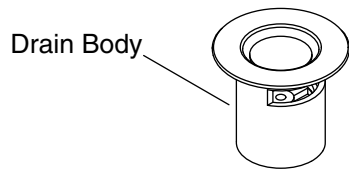
**NOTICE:** Provide adequate floor support.

**NOTICE:** Measure your product for site preparation. Note the model number located on the packaging label, then visit the product page at [sterlingplumbing.com](http://sterlingplumbing.com) for additional information.

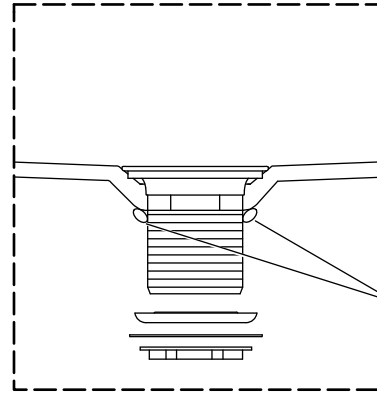
- Determine the location of the bath.
- Make sure that the subfloor offers adequate support for the bath.

**IMPORTANT!** To ensure a successful installation, install the bath on a level finished floor.

- Ensure that the subfloor is level.
- Temporarily position the shroud in place over the drain hole.
- With help, temporarily set the bath into place in the shroud. Make sure that the bath rim is completely seated over the shroud.
- Verify that the bath drain aligns properly with the drain hole. Adjust the shroud and bath position if necessary.
- Remove the bath while leaving the shroud in place. Use care so that the shroud is not disturbed.
- Trace the interior edge of the shroud on the floor.
- Remove the shroud.
- Apply construction adhesive to the bottom of the shroud.
- Carefully position the shroud, aligning the hole with the traced mark on the floor.



*Apply 100% silicone sealant to both sides.*



100% Silicone Sealant

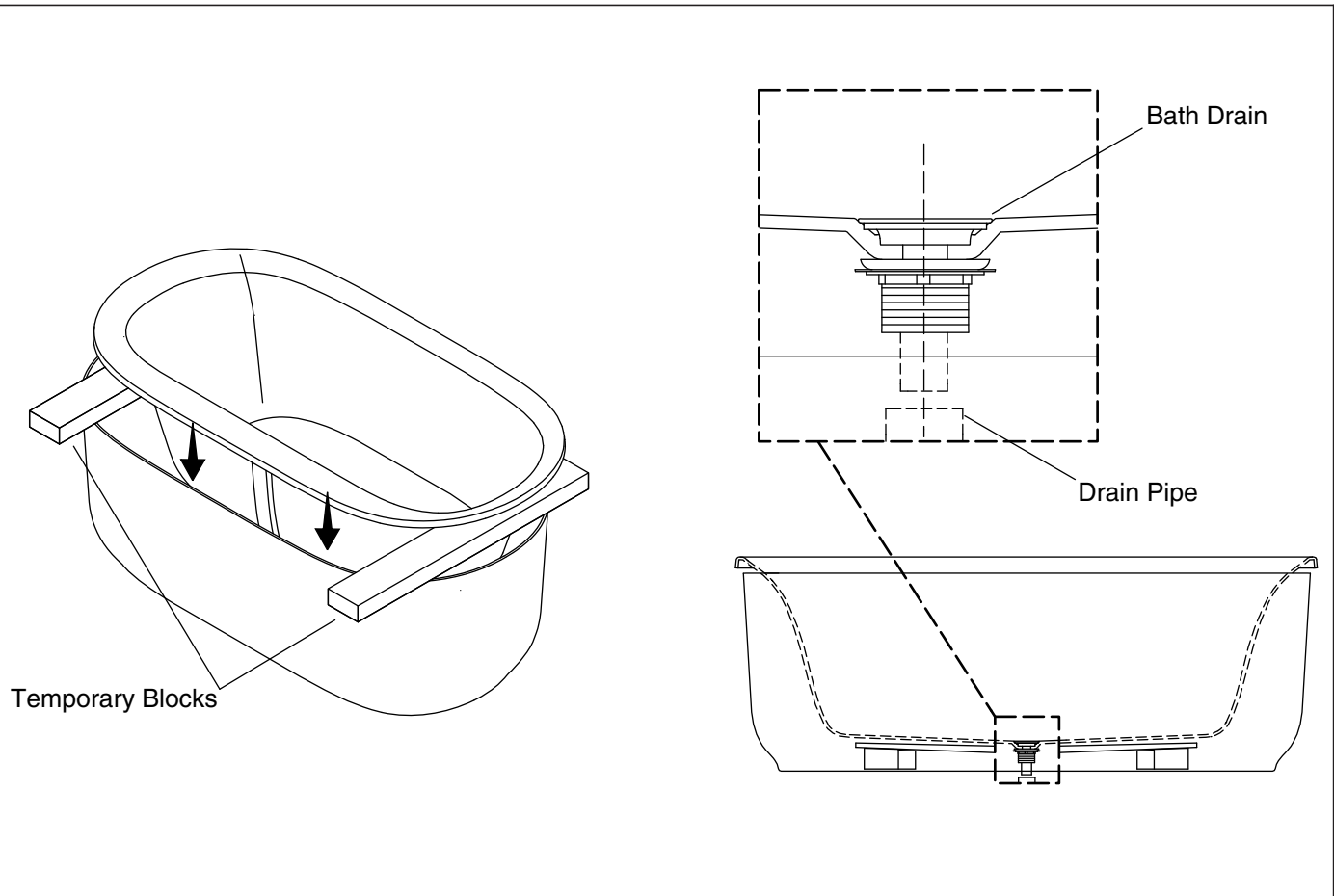
#### 4. Install the Drain (Drain Pipe Installations)

**NOTE:** For installations with a drain elbow, go to the "Install the Bath with a Drain Elbow" section.

- Remove the drain from the bath.
- Unscrew the drain cap from the drain.
- Apply a bead of 100% silicone sealant to the drain hole.

**NOTE:** Do not use plumbers putty.

- From the inside of the bath, install the drain body and flange gasket.
- From the bottom of the bath, apply a bead of 100% silicone sealant between the drain hole and the drain body.
- Install the mack washer, friction washer, and locknut.
- Install a 1-1/2" tailpiece to the drain body to connect to the drain pipe.

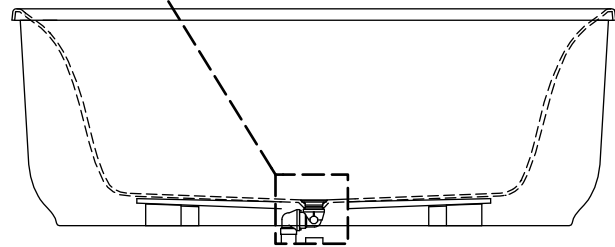
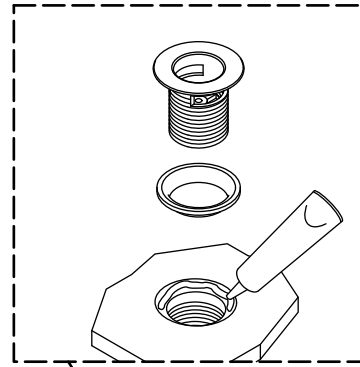
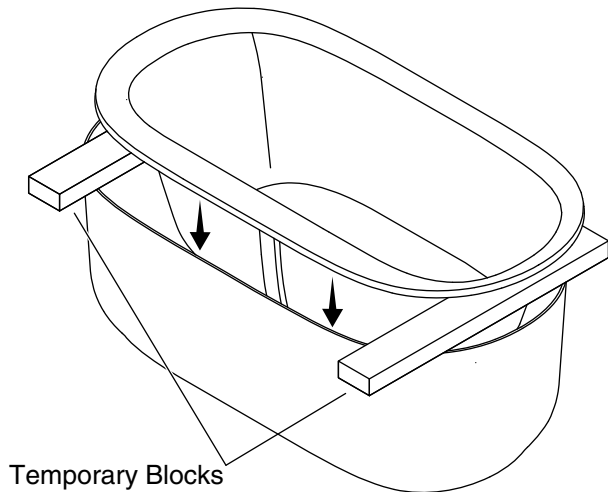


## 5. Install the Bath

**NOTICE:** To avoid damaging the finish of the bath, make sure there is a drop cloth or other protective liner in the bath before proceeding.

**NOTE:** To provide access for securing the faucet connections, position temporary blocks between the apron and the bath rim.

- With help, carefully lift the bath into place over the shroud and onto the temporary blocks.
- For a rim-mount faucet, install the faucet and trim according to the faucet and trim instructions. Make sure that there is adequate support under the bath rim to support the faucet. Refer to the "Prepare the Rim-Mount Faucet (Optional)" section.
- Carefully remove the temporary blocks and make sure that the bath rim engages the top of the shroud on all sides.
- Connect the drain.
- Thread the drain cap into the drain.
- Press the drain cap down several times to ensure the drain opens and closes properly.
- Close the drain. Fill the bath to the overflow, and check for leaks.
- Apply a thin, continuous bead of clear or color-matched 100% silicone sealant to the seam between the shroud and the finished floor.



## 6. Install the Bath with a Drain Elbow

**NOTE:** To provide access for securing the faucet connections, position temporary blocks between the apron and the bath rim.

- With help, carefully lift the bath into place over the shroud and onto the temporary blocks.
- For a rim-mount faucet, install the faucet and trim according to the faucet and trim instructions. Make sure that there is adequate support under the bath rim to support the faucet. Refer to the "Prepare the Rim-Mount Faucet (Optional)" section.
- Carefully remove the temporary blocks. Make sure that the bath rim engages the top of the shroud on all sides, and that the bottom of the bath contacts the elbow drain gasket.
- Unscrew the drain cap from the drain.
- Apply a bead of 100% silicone sealant to the drain hole.

**NOTE:** Do not use plumbers putty.

**NOTE:** The friction washer, mack washer, and locknut are not required when installing a drain elbow.

- Install the flange gasket and drain body to the drain hole.
- Thread the drain body into the drain elbow.
- Thread the drain cap into the drain.
- Press the drain cap down several times to ensure the drain opens and closes properly.
- Close the drain. Fill the bath to the overflow, and check for leaks.
- Apply a thin, continuous bead of clear or color-matched 100% silicone sealant to the seam between the shroud and the finished floor.