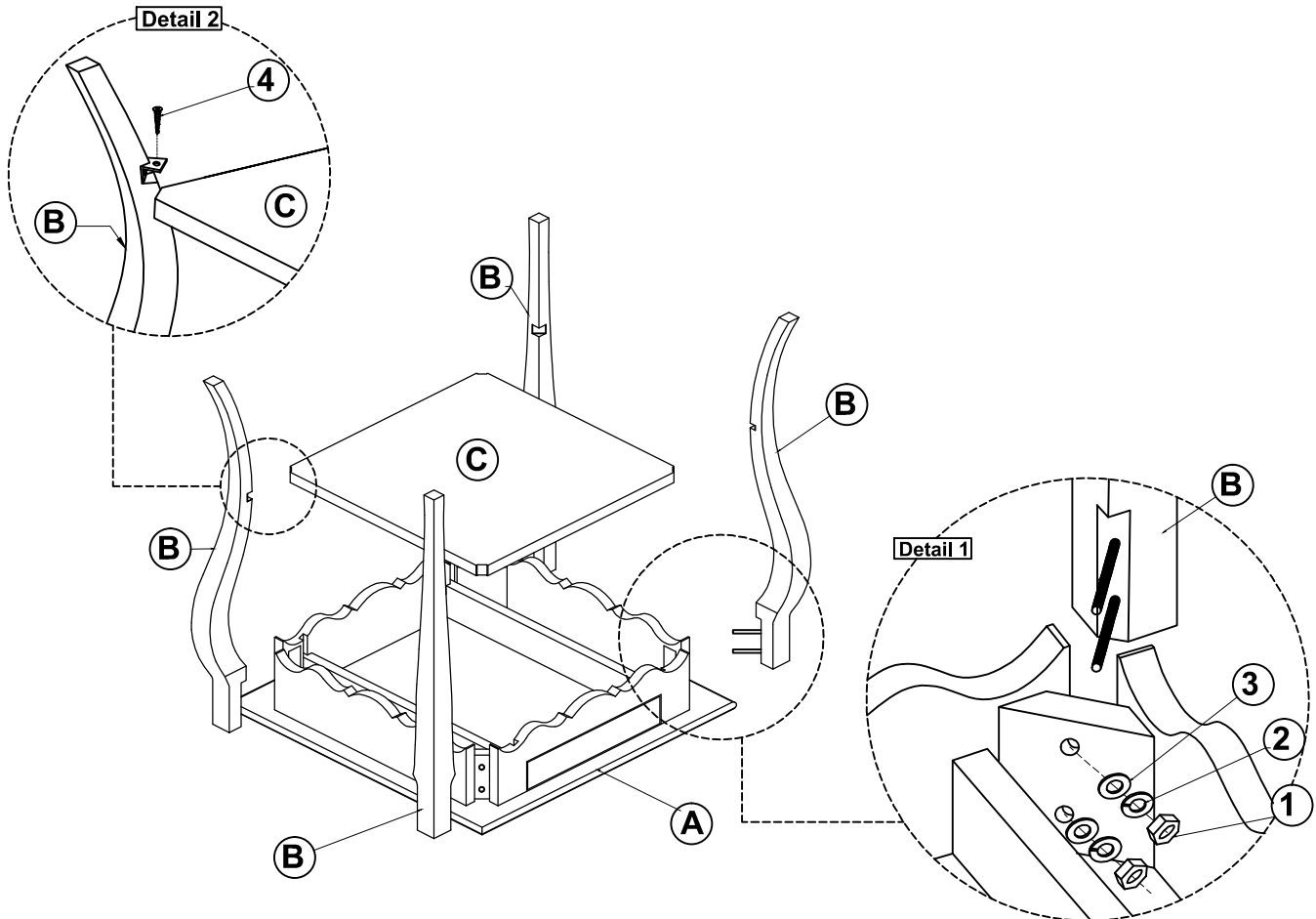


# HEKMAN

## ASSEMBLY INSTRUCTION 87204 - RUE DE BAC LAMP TABLE






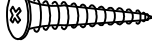
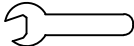
### TO ASSEMBLE : ( Two People Required)

Step 1 : Turn the Table Top (A) face down on a padded flat surface to prevent damage.

Step 2 : Attach Leg (B) to each corner by using Flat Washer (3), Lock Washer (2), and Nuts (1) provided. Do not tighten until shelf (C) is attached.(Detail 1).

Step 3 : Line up the holes of metal tab in Legs (B) with the bottom Shelf (C), then tighten with screw driver. (Detail 2).

Step 4 : Tighten Nuts (1) with Wrench (5) to secure Legs.

HARDWARE LIST				
Part	Item	Description	Qty	
1.		Nut M8	8 pcs	
2.		Lock Washer	8 pcs	
3.		Flat Washer	8 pcs	
4.		Screw 8 x $\frac{5}{8}$ "	4 pcs	
5.		Wrench	1 pc	

