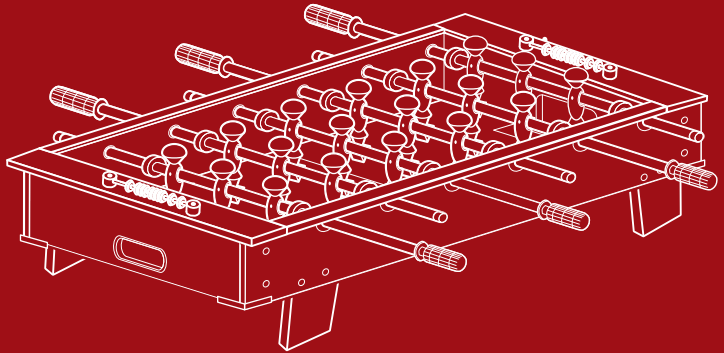




BEST CHOICE  
PRODUCTS



# INSTRUCTION MANUAL

---

40-Inch Tabletop  
Foosball Table



**BEST CHOICE  
PRODUCTS**

---

As shoppers, we're always trying to find the perfect balance between quality & value. At BCP, we believe we've achieved that. Our diverse catalog of everyday essentials is tailored especially to our customers & guaranteed to hit that sweet spot of high quality & low price.

— Always. —



## WARNING

**CHOKING HAZARD** - Small parts.  
This toy contains small balls. Not  
for children under 3 years old.



## WARNING

**ADULT ASSEMBLY REQUIRED**



### NOTICE

Please retain these instructions for future reference.

- Please read all instructions before attempting to install or assemble this item. Assembly should be done by adults only.
- Do not stand on or use any part of this set as a step ladder.
- Firmly secure all bolts, screws, and knobs before use.
- Reconfirm that all bolts, screws, and knobs are secure every 90 days.
- Be aware that some parts are heavy and have sharp edges.
- Assemble this item on a flat, level, and stable surface for an ideal construction.
- This product is intended for residential use only.



### WARNING

- This product requires adult assembly and supervision when in use.
- Fasten screws loosely during initial assembly. Do not firmly tighten the screws until the item is completely assembled.
- This product contains small balls. May result in choking hazard for children under 3 years.
- This product contains small parts for assembly. Keep small children and pets away during assembly as this may present a choking hazard.
- Do not throw projectile toys at players eyes or face, and do not throw at animals.
- Do not use or store this item in the proximity of open flame or flammable/combustible chemicals.
- If any parts are missing, broken, damaged, or worn, stop using this item until repairs are made and/or factory replacement parts are installed.
- Do not use this item in a way inconsistent with the manufacturer's instructions as this could void the product warranty.

### TOOLS REQUIRED



PHILLIPS  
SCREWDRIVER



ALLEN WRENCH  
(PROVIDED)



3 YEARS  
OLD AND UP



1 PERSON  
ASSEMBLY



UP TO 60 MIN.  
ASSEMBLY

### HARDWARE

1

M6 x 28mm  
SCREW



8 PCS

2

M6 WASHER



8 PCS

3

3.5 x 35mm  
SCREW



4 PCS

4

3.5 x 18mm  
SCREW



18 PCS

## HARDWARE

**5** M6 x 30mm  
KNOB



8 PCS

**6** 3.5 x 14mm  
SCREW



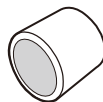
4 PCS

**7** 3.5 x 10.5mm  
SCREW



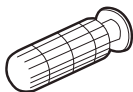
8 PCS

**8** END CAP



6 PCS

**9** HANDLE



6 PCS

**10** RUBBER  
BUMPER



12 PCS

**11** SCORER



2 PCS

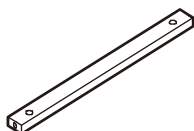
**12** SOCCER BALL



2 PCS

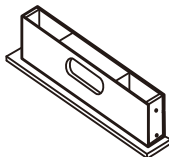
## PARTS

**A** SUPPORT BRACE



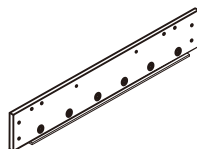
2 PCS

**B** END PANEL



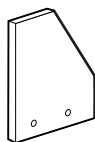
2 PCS

**C** SIDE PANEL



2 PCS

**D** LEFT LEG



2 PCS

**E** RIGHT LEG



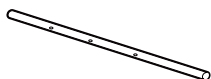
2 PCS

**F** SOCCER  
PLAYFIELD



1 PC

**G** 3-HOLE ROD



6 PCS

**H** AWAY PLAYER



9 PCS

**I** HOME PLAYER



9 PCS

## PARTS

**J**

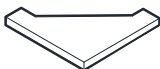
CORNER COVER



4 PCS

**K**

ANTI-SKID PAD



4 PCS



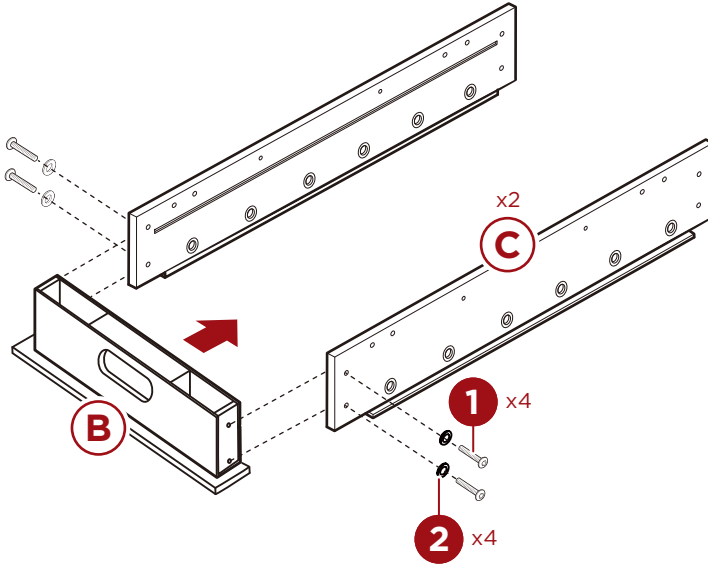
Assemble parts loosely during initial assembly, then tighten



## PRODUCT ASSEMBLY

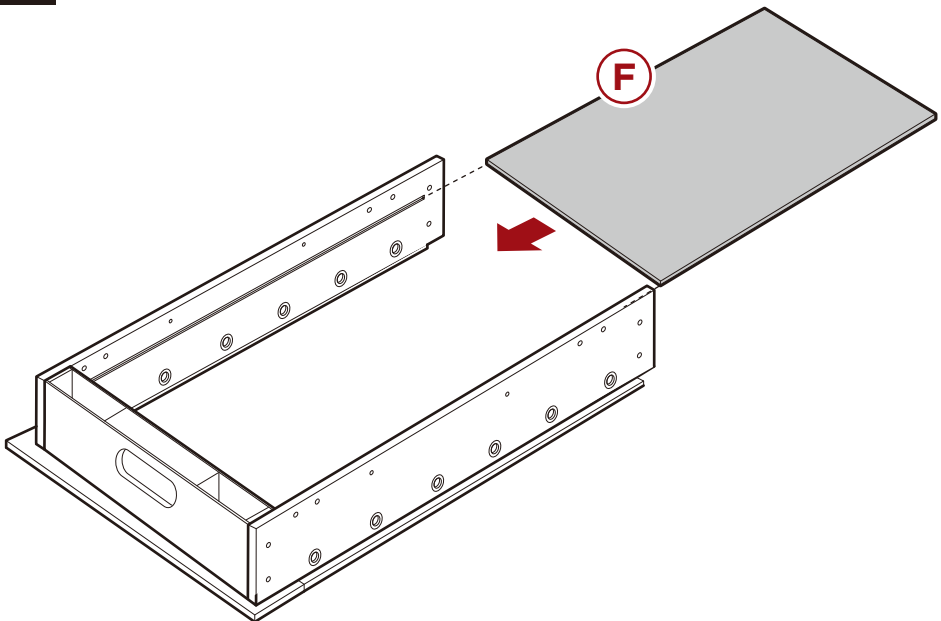
1

Attach two **part C** side panels to the one **part B** end panel with four **part 1** screws and four **part 2** washers.



2

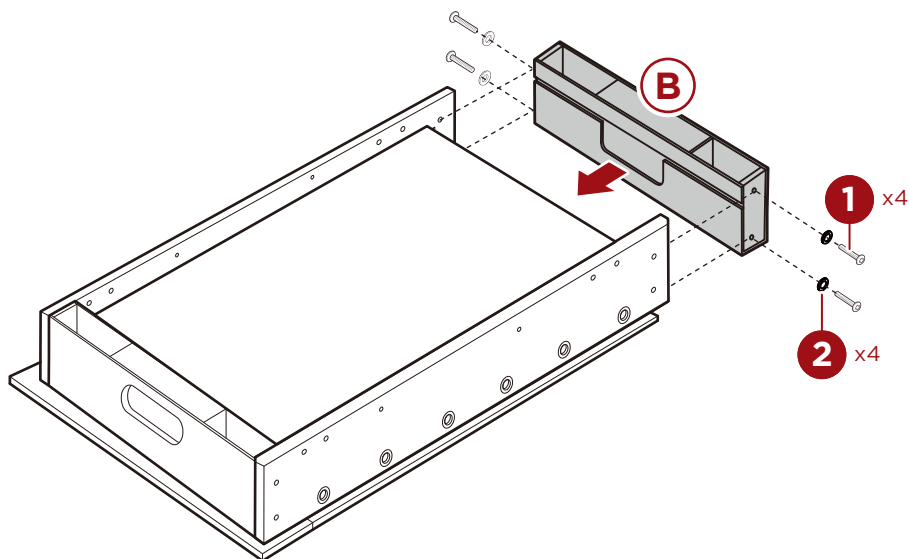
Flip the **part F soccer playfield** upside down then slide it into the designated slots.



## PRODUCT ASSEMBLY

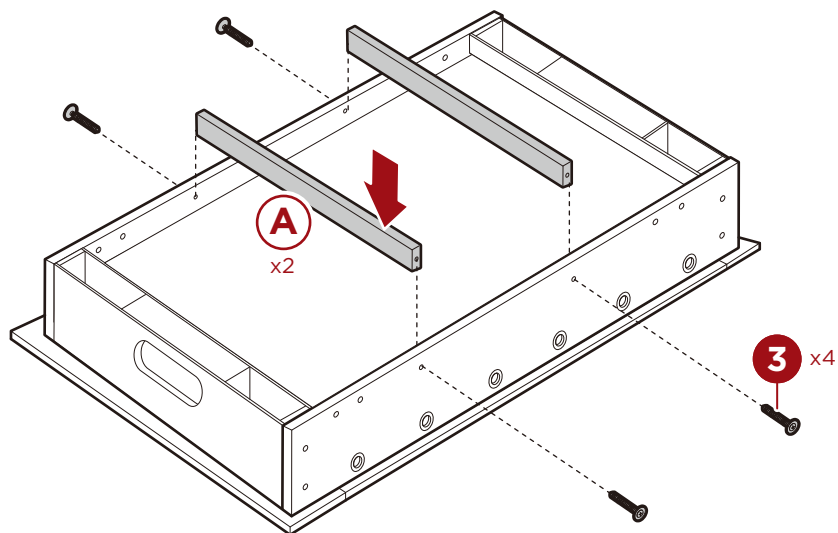
3

Locate the second **part B end panel** and attach it to two **part C side panels** with four **part 1 screws** and four **part 2 washers**.



4

Install two **part A support braces** to the **part C side panels** with four **part 3 screws**, two screws per brace.



## PRODUCT ASSEMBLY

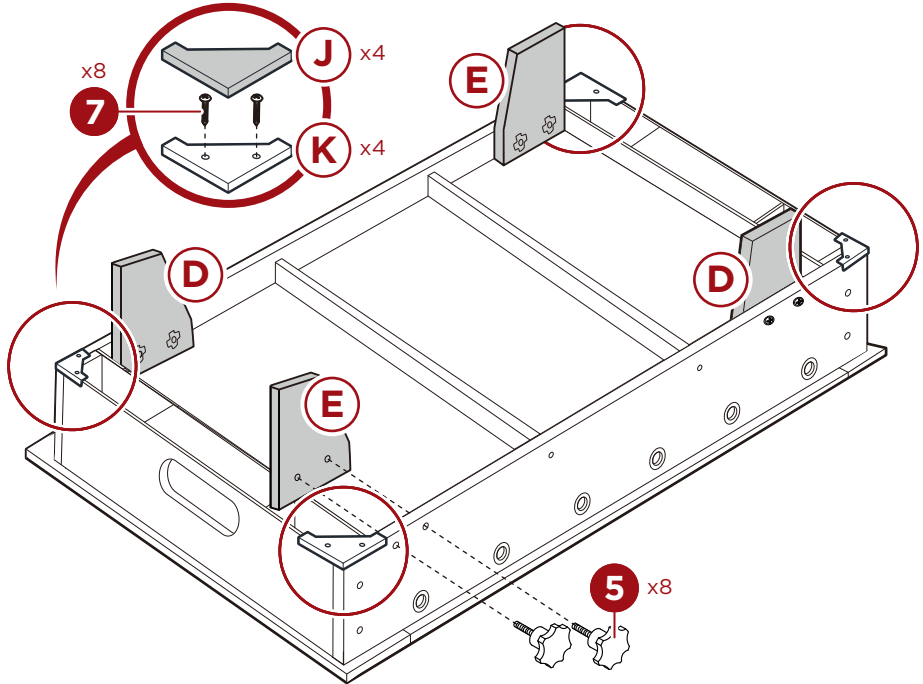
5

Attach four **part J corner covers** to the corners of the table assembly with eight **part 7 screws**, two screws per cover. Peel the backing from four **part K anti-skid pads** and apply one to each corner cover.

Attach two **part D left legs** and two **part E right legs** to the **part C side panels** with eight **part 5 knobs**, two knobs per leg.

**NOTE:** Each leg has a set of cleat washers on one side, consider this the "inner" face.

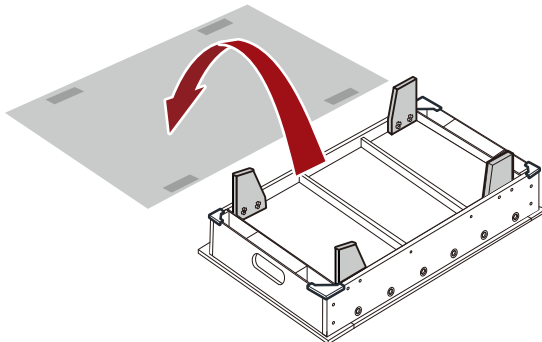
**ALTERNATE:** For non-elevated play, skip this step and use the tabletop as assembled by steps 1-4.



6

Lift the table assembly and flip it upright before returning it to your building surface.

Do not tip the assembly or lean it on the legs, as this may damage the product.



**DO NOT LEAN  
ON LEGS**

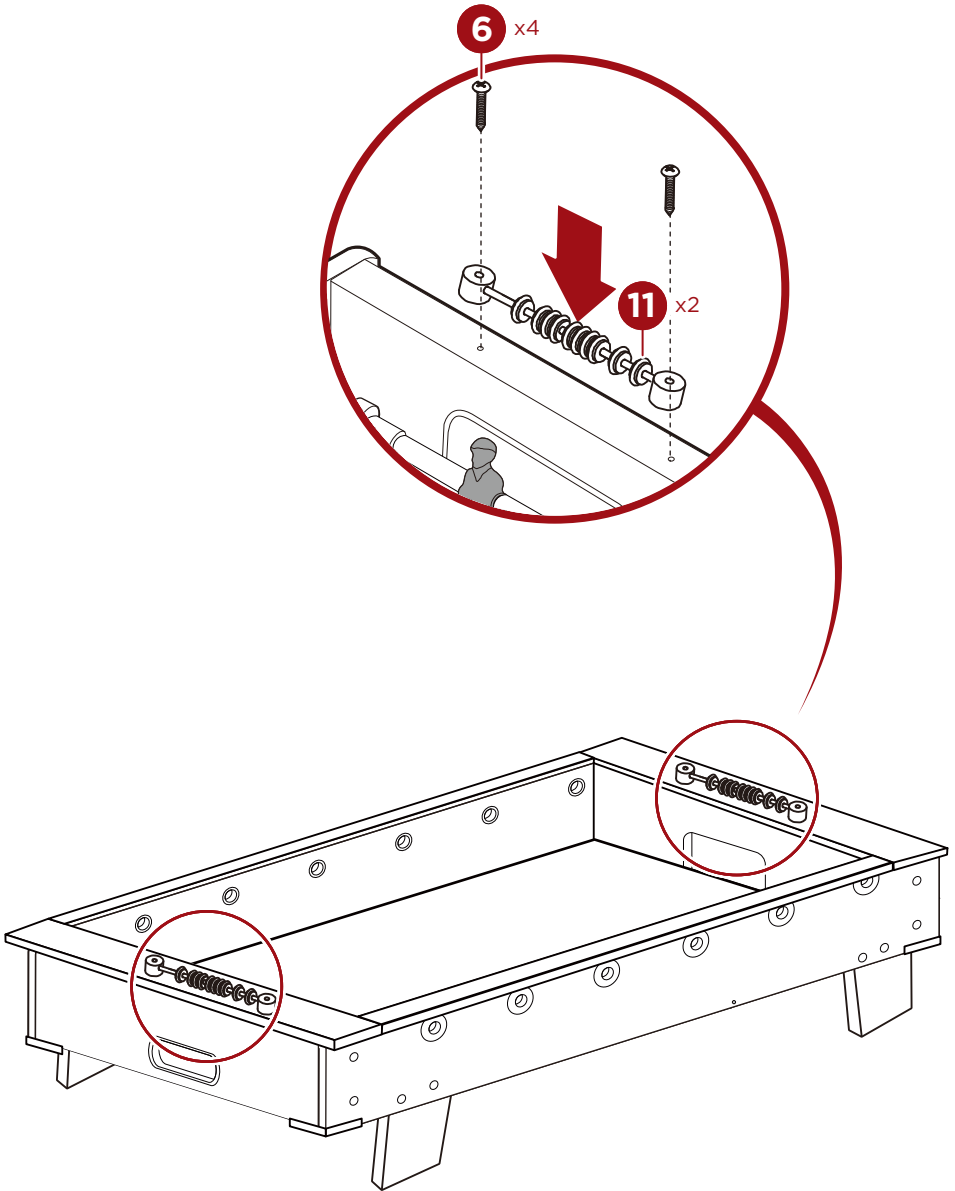




## PRODUCT ASSEMBLY

7

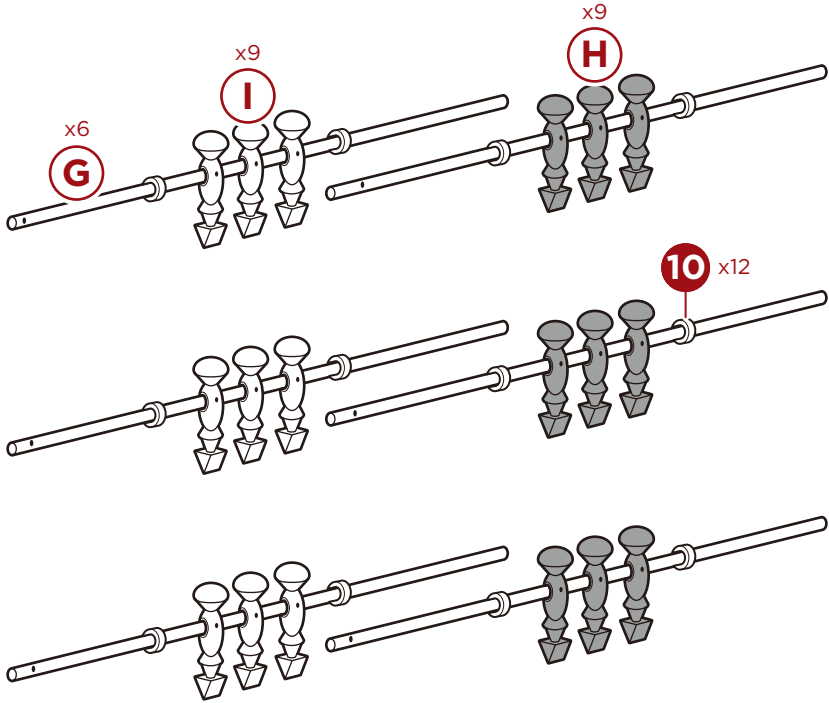
Use two **part 6 screws** to attach one **part 11 scorer** to one **part B end panel**, repeat on the opposite side to attach a second scorer.



## PRODUCT ASSEMBLY

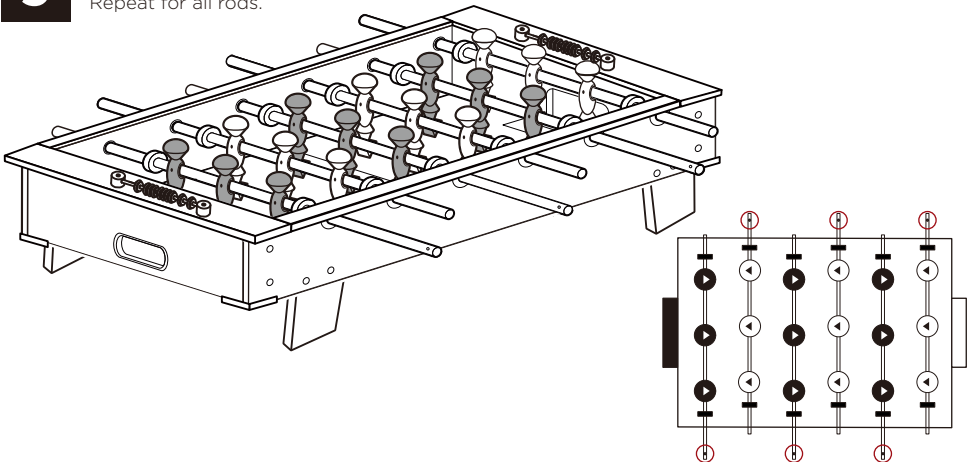
8

Slide the appropriate number of **part H** and **I** away/home players onto six **part G** 3-hole rods. Slide two **part 10** rubber bumpers onto each rod, one bumper on each side, twelve bumpers total.



9

Slide one end of a rod into the designated hole, then slide the other end into the opposite hole. Repeat for all rods.

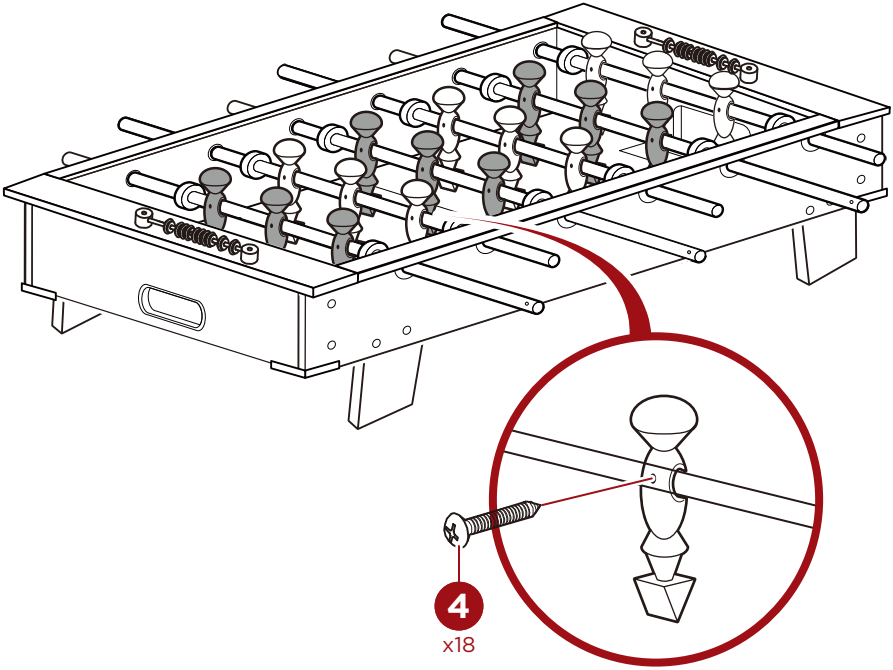


## PRODUCT ASSEMBLY

10

Secure players with eighteen **part 4 screws** one bolt per player.

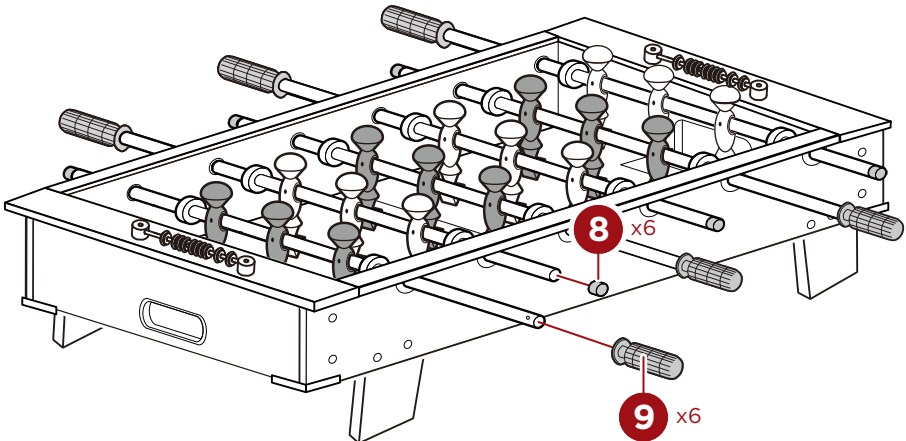
**NOTE:** Each player has a recessed inset for the fastening nut, consider this the “back” of the player.



11

Slide six **part 9 handles** and six **part 8 end caps** onto the rods, one handle and one end cap per rod.

Fasten all screws to ensure stability, then enjoy.





# HELP CENTER



Question about your product? We're here to help. Visit us at:

[help.bestchoiceproducts.com](https://help.bestchoiceproducts.com)



Chat Support



Product Inquiry



Orders FAQ



Product Assembly



Returns & Refunds

## PRODUCT WARRANTY INFORMATION

All items can be returned for any reason within 60 days of the receipt and will receive a full refund as long as the item is returned in its original product packaging and all accessories from its original shipment are included. All returned items will receive a full refund back to the original payment method. All returned items will not be charged a re-stocking fee.

All returned items require an RA (Return Authorization) number, which can only be provided by a Best Choice Products Customer Service Representative when the return request is submitted. Items received without an RA may not be accepted or may increase your return processing time. Once an item has been received by Best Choice Products, refunds or replacements will be processed within 5 business days.

All returns must be shipped back to the Best Choice Products Return Center at the customer's expense. If the reason for return is a result of an error by Best Choice Products then Best Choice Products will provide a pre-paid shipping label via email. Boxes for return shipping will not be provided by Best Choice Products, and is the customer's responsibility to either use the original shipping boxes or purchase new boxes.

Pictures may be required for some returns to ensure an item is not damaged prior to its return. Items returned are not considered undamaged until they are received by Best Choice Products and verified as such. All damages to items are the customer's responsibility until the item has been received by and acknowledged by Best Choice Products as undamaged.

© 2023 Best Choice Products, Inc. All rights reserved. Distributed by Best Choice Products, Inc. Tustin, CA 92780

## WARNING

Manufacturer and seller expressly disclaim any and all liability for personal injury, property damage or loss, whether direct, indirect, or incidental, resulting from the incorrect attachment, improper use, inadequate maintenance, unapproved modification, or neglect of this product.