



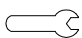



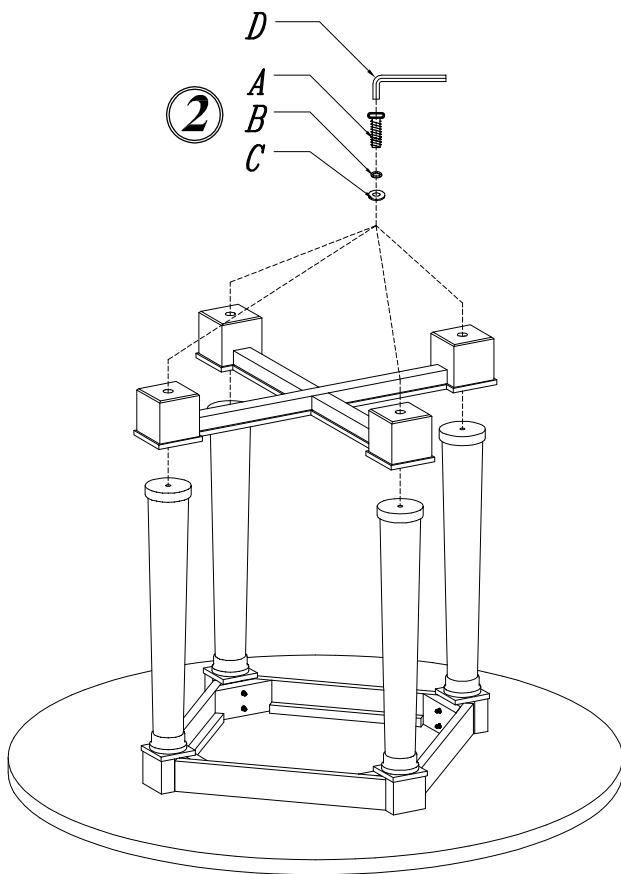
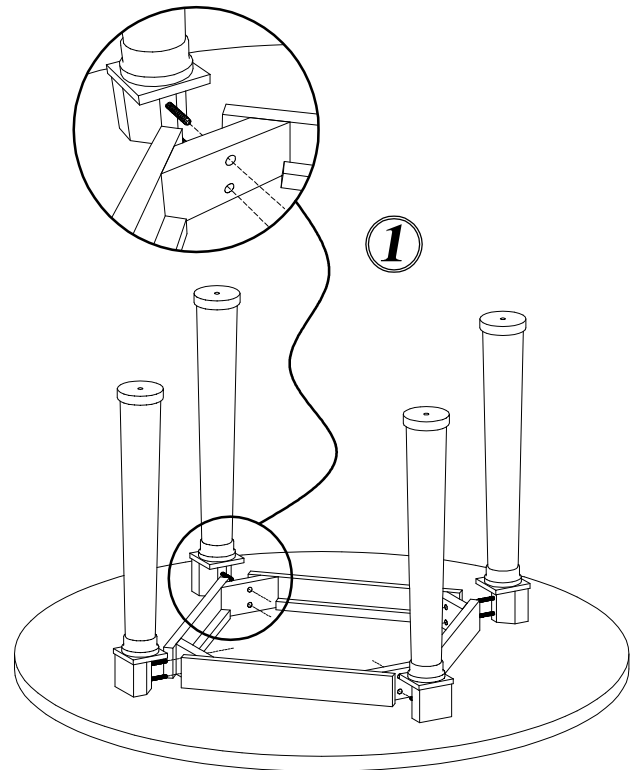
HEKMAN

X A HOWARD MILLER COMPANY

ASSEMBLY INSTRUCTIONS

25621 - ROUND DINING TABLE

NO.	Hardware List		Q'ty
A		Bolt 5/16" * 80mm L	4
B		Lock Washer	12
C		Flat Washer	12
D		Nut m8	8
E		Wrench	1
F		Wrench 3/16" Dia * 4-3/4" L	1



MADE IN INDONESIA