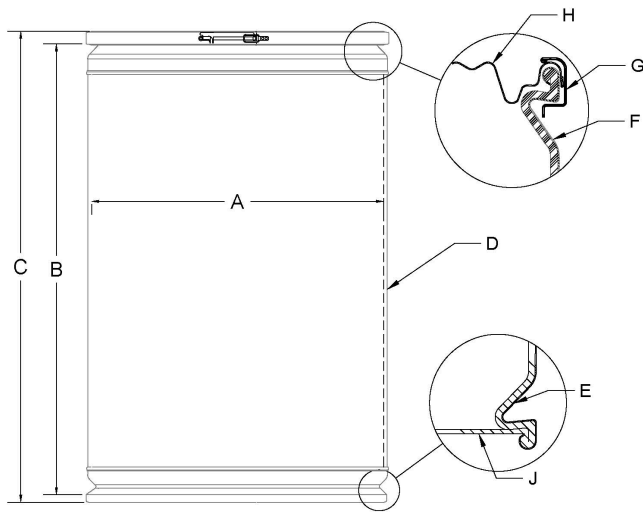


Fibre Drum

Specification



NMFC Article	Item 296 - Liquid 2A (non-hazardous)
NMFC Net Weight Limit	600#
UN Mark	1G/Y200/S/YR
Drum Type	Liquidpak
Inside Diameter (A)	21-1/2"
Inside Height (B)	37-1/16"
Outside Height (C)	38-1/16"
Tare Weight (approx)	18.1#
Nominal Capacity (U.S. Gallons)	55 Gallons
Exterior Finish	Plain Kraft
Sidewall Construction (D)	Meeting minimum thickness of 1200 PSI Mullen
Sidewall Adhesive	Sodium Silicate Between Each Lamination
Lining (D)	Heavy Duty Polyethylene
Barrier (D)	None
Bottom (J)	.240"/1500# PSI Heading (Thickness/Test)
Chime Band Top (F)	.022 Narrow with Stainless Steel Overlay
Chime Band Bottom (E)	.028 Wide
Closure (G)	Galvanized Steel
Cover Type (H)	Plastic
Cover - Gasket / Fittings / Diaphragm	Urethane / 2" & 3/4" Plugs / Removed
Additional Construction Information	None

Paint or Skin Color	None
Print Color (Silk Screen)	None
Poly Bag / Bag Option	None
Misc. Treatments	None
Special Instructions	Certificate stamp on sidewall with customer specification number above

DISTRIBUTED BY:



REF NO.:

DWG30167

DISCLAIMER

THIS INFORMATION IS PROVIDED AS A GENERAL GUIDE, INCLUDING DIMENSIONS. IT IS THE CUSTOMER'S RESPONSIBILITY TO SELECT THE PROPER CONTAINER FOR PRODUCT AND APPLICATION COMPATIBILITY.

DESCRIPTION:

55 Gallon Kraft Fiber Drum, Liquidpak with Plastic Cover, 2" & 3/4" Fittings