

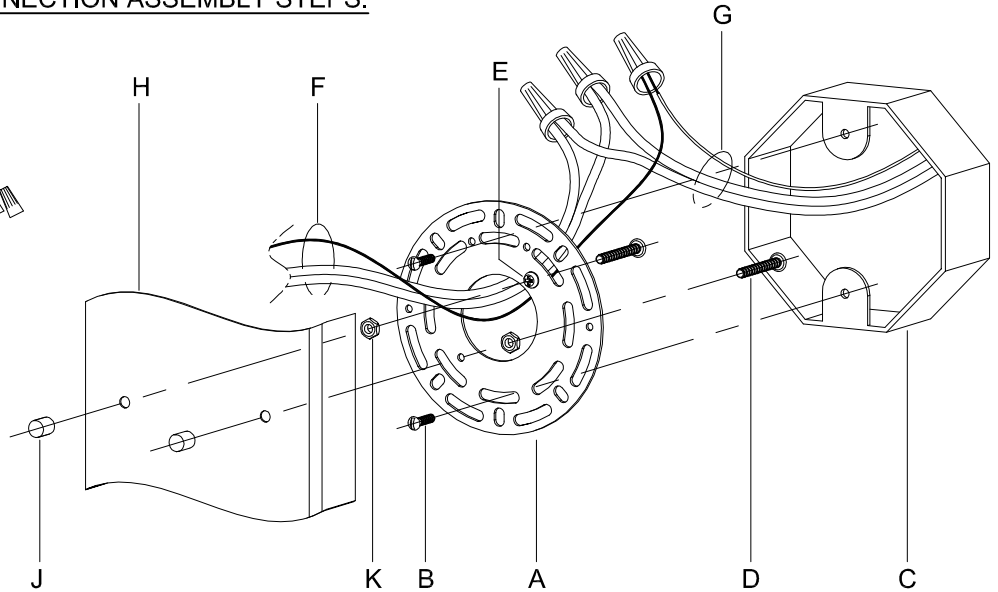
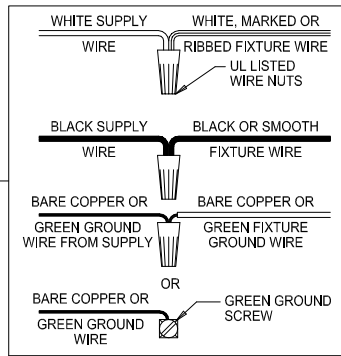
**CAUTION:** Read instructions carefully and turn electricity off at main circuit breaker panel before beginning installation.

## 300277, 300278, 300279

\*\*\*\*\*  
**CAUTION:** Risk of fire. Min. 90°C supply conductors. Consult a qualified electrician to ensure correct branch circuit conductor.  
**WARNING -** If any Special Control Devices are used with this Fixture, Follow the Instructions Carefully to assure full compliance with N.E.C. requirements. If there are any questions, contact a Qualified Electrical Contractor.  
**CAUTION -** All glass is fragile, use care when handling Glass component(s) and or Lamp(s).  
 \*\*\*\*\*

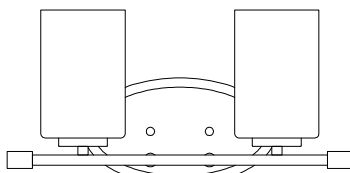
### CANOPY MOUNTING & WIRE CONNECTION ASSEMBLY STEPS:

1. D,E → A
2. K → D
3. B,A → C
4. F → G
5. H,J → D

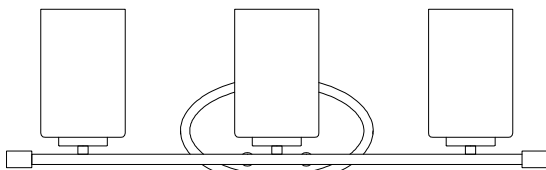


### FIXTURE ASSEMBLY STEPS:

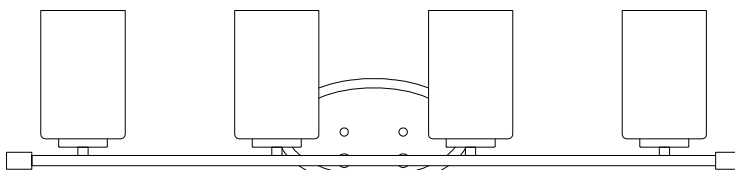
1. N,M → P
2. L → P



P300277



P300278



P300279

B, C, G & L  
 (NOT FURNISHED)  
 (NO INCLUIDA)  
 (NON FOURNIE)

