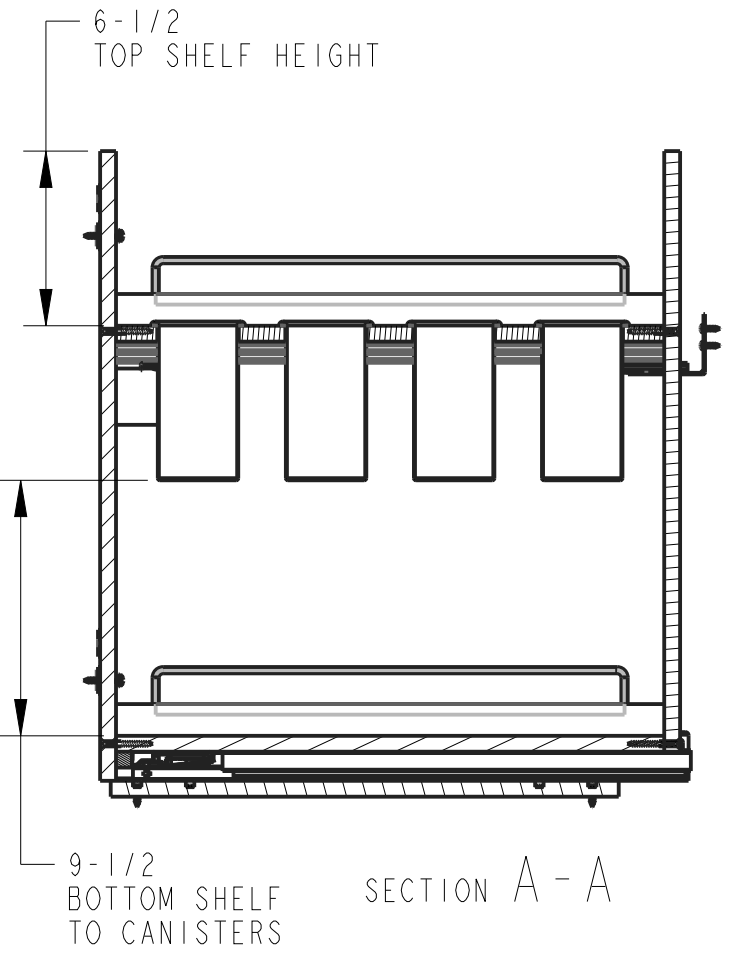
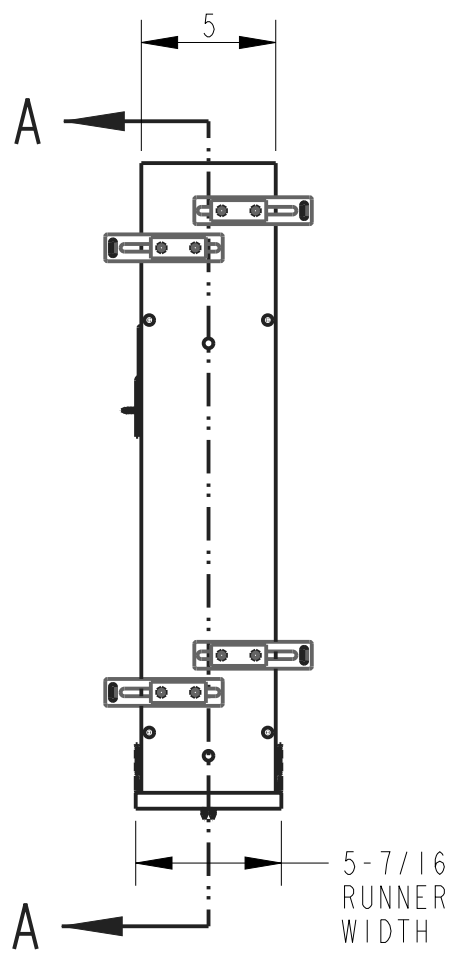
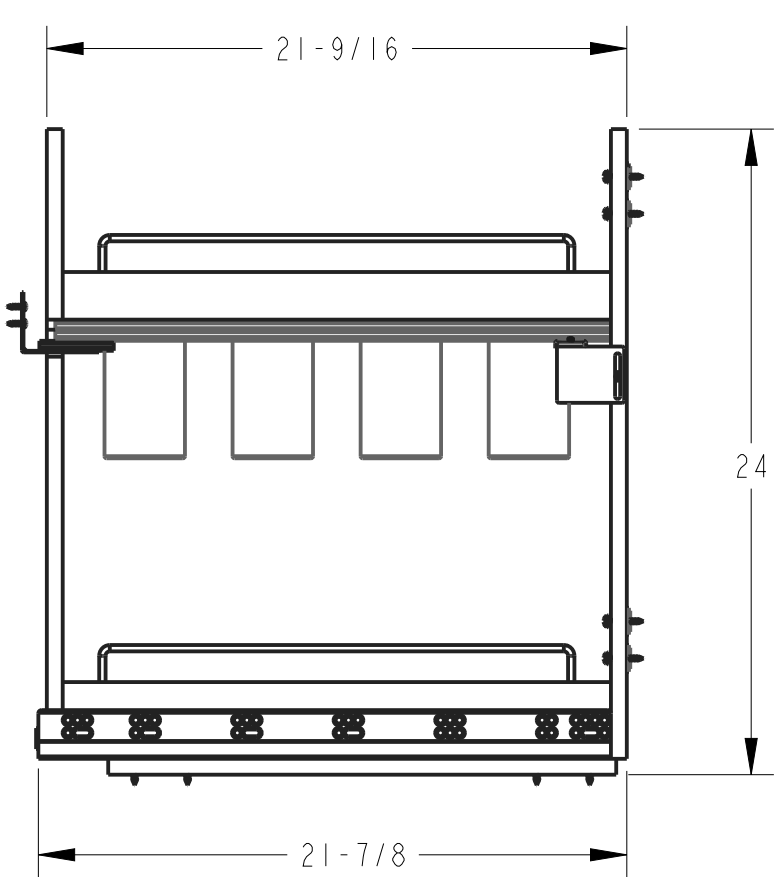
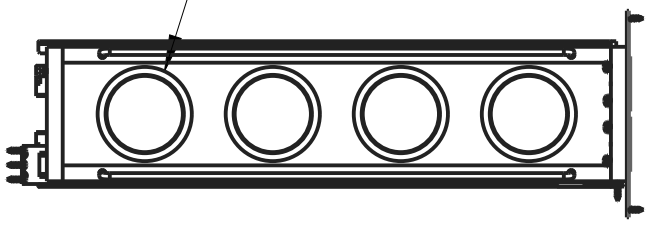


8 7 6 5 4 3 2 1

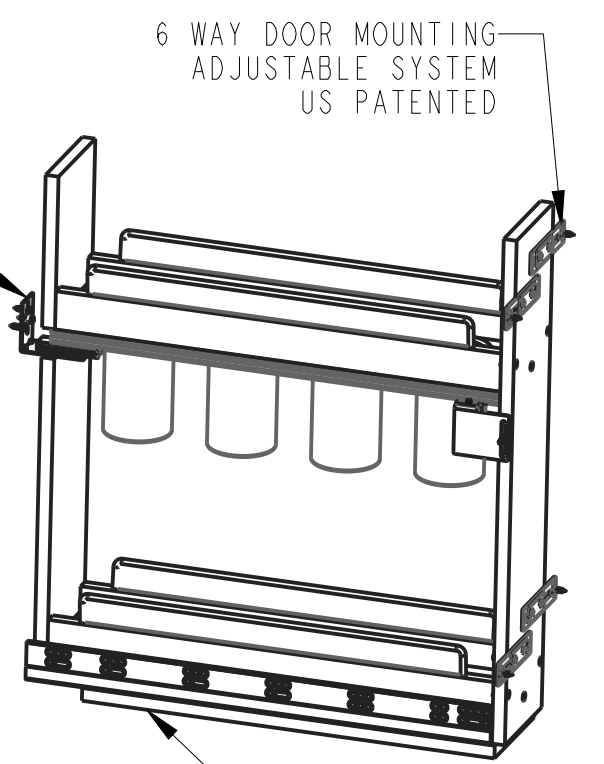
F  
E  
D  
C  
B  
A

F  
E  
D  
C  
B  
A

ROW OF FOUR CANISTERS:  
 - INTERIOR DIAMETER: 2-13/16 INCH  
 - INTERIOR DEPTH: 5-11/16 INCH



"NO WIGGLE"  
 TOP SUPPORT MECHANISM  
 US PATENTED

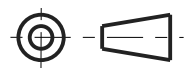


6 WAY DOOR MOUNTING  
 ADJUSTABLE SYSTEM  
 US PATENTED

USE58-300 SERIES  
 RUNNER MECHANISM

SECTION A - A

THIRD ANGLE PROJECTION



MATERIAL BIRCH PLYWOOD	FINISH UV COATING
DRAWN BY JOEL GOMEZ	DATE 06NOV2019
DESIGNED BY JOEL GOMEZ	DATE 28OCT2019
APPROVED BY ALAN CHEN	DATE 19NOV2019

**hardware resources**

DESCRIPTION  
 5 INCH UTENSIL BIN BASE CABINET PULLOUT

DRAWING NUMBER UBPO5		REV <b>C</b>
SIZE A3	SCALE 0.140	SHEET 1 / 1

DOCUMENT STATUS Released

HARDWARE RESOURCES RESERVES THE RIGHT TO CHANGE SPECIFICATIONS WITHOUT NOTICE.  
 IN CASE OF A DISCREPANCY, ACTUAL PART GEOMETRY SUPERSEDES THIS DOCUMENT.

THE INFORMATION CONTAINED WITHIN THIS DRAWING IS THE SOLE PROPERTY OF HARDWARE RESOURCES INC. ANY REPRODUCTION IN PART OR WHOLE WITHOUT WRITTEN PERMISSION OF HARDWARE RESOURCES INC. IS PROHIBITED.

8 7 6 5 4 3 2 1