

# EVANSPORT 6042

# H | S

## DESIGNER COLLECTION

### PVC SYSTEMS INCLUDE:

- 8 Fully directional adjustable flow PVC jets
- Anti-vortex safety suction
- Color matched system trim
- HydroOzone ozone sanitation system
- Rigid PVC piping
- Self draining pump and system
- Soft Touch electronic on/off control with 30-minute integral times
- 2.25 HP single speed pump
- Cable waste and overflow



Standard Grab Bar



Linear Integral Waste and Overflow



Chromotherapy-LED Lighting System

### OPTIONS: [\(MORE INFORMATION AVAILABLE ON OUR WEBSITE\)](#)

- Back Masseur
- Cold Plunge
- Custom Pump Location
- Export Crate
- Extra High Density
- Grab Bars
- Hydro Blanket
- Hydro Coat
- Hydro Express
- Hydro Fusion
- Hydro Indulge
- HydroOzone UV Combo System
- Inline Heater
- Jets (Micro, Rotating, or Swirling)
- LED Temp. Readout Keypad
- LED Bath Light Chromotherapy System
- Low Water Protection
- Neck Masseur Jet Pillow
- Padded Headrest Pillow
- Remote Control
- Skirts
- Tile Flanges
- Undermount
- Waste & Overflow (Integral or Linear)

### STANDARD ELECTRICAL REQUIREMENTS:

- Whirlpool System | One 20 Amp Dedicated Circuit
- Thermal Air System | One 15 Amp Dedicated Circuit
- Combo System | One 15 Amp Dedicated Circuit and One 20 Amp Dedicated Circuit
- Indulge System | One 15 Amp Dedicated Circuit
- Hydro Fusion (600 or 1500 Watts) | One 15 Amp Dedicated Circuit
- Inline Heater (600 or 1500 Watts) | One 15 Amp Dedicated Circuit

*\*All electrical components come standard at 115 volts\**

*\*All electrical circuits must be GFCI protected\**

**HYDRO SYSTEMS**  
Family Owned And Operated Since 1978

29132 Avenue Paine, Valencia, CA, 91355  
661.775.0686 | [hydrosystem.com](http://hydrosystem.com)



# EVANSPORT 6042



## DESIGNER COLLECTION

### As SHOWN:

Whirlpool option

### FEATURES SHOWN:

- Overflow location
- Standard jet location

### ALSO AVAILABLE:

- Soaking tub only
- Thermal Air
- Combo

### BACK SLOPE:

24°

### WATER CAPACITY:

60 Gallons

### WEIGHT:

80-120 Pounds depending on system

### DROP-IN INSTALLATION DIMENSIONS:

- (L)ength- 58"
- (W)idth- 40"
- Finish (H)eight- 19-3/4"

### 3-WALL INSTALLATION DIMENSIONS:

- (L)ength- 60"
- (W)idth- 42"
- Top of Ledger- 22-1/4"

### INSTALLATION TIPS:

- When adding integral linear drain p-trap location is now below waste
- Adding multiple systems/options may require equipment to stick out from tub deck or be installed remotely

### CODES AND COMPLIANCES

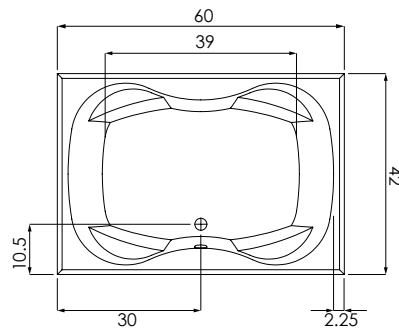
Massachusetts code File no: P1-0614-491



\*Tub must be set in mortar base\*

### ACRYLIC TUB

- Acrylic models finished in 1/8" thick layer of deep lustrous acrylic
- Pre-wired pump on pump platform (standard pump location only)
- Integral E-Z level platform facilitates installation
- Micro mount reduces lip height by approximately 3/8" to 5/8"
- Micro mount requires increase in framing height by an additional 1-1/4"
- Installation videos available on our [website](#).



### Optional Equipment Dimensions

- Whirlpool Pump: 12"(H) x 16"(L)
- Thermal Air Blower: 5"(H) x 11"(L)
- Hydro Fusion: 7"(H) x 15.5"(L)
- Hydro Indulge: 11"(H) x 19"(L)

