

8 7 6 5 4 3 2 1

F

F

E

E

D

D

C

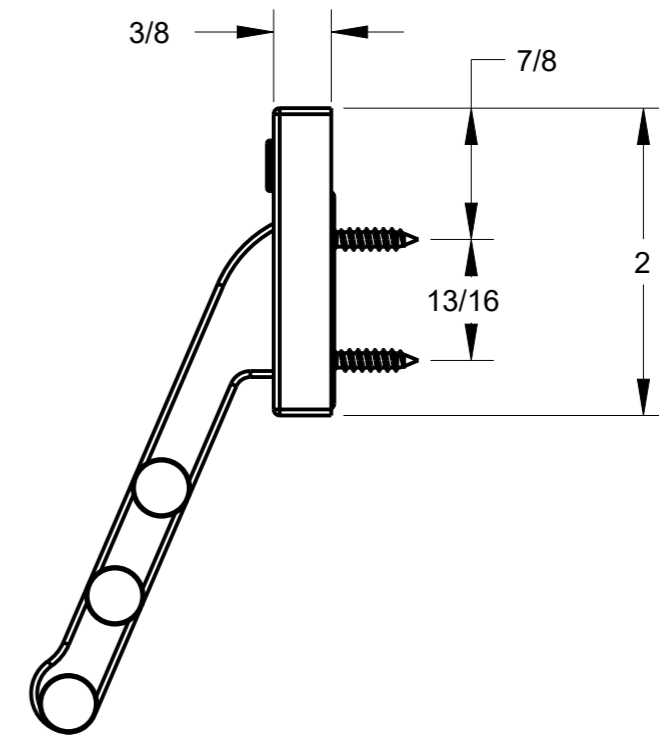
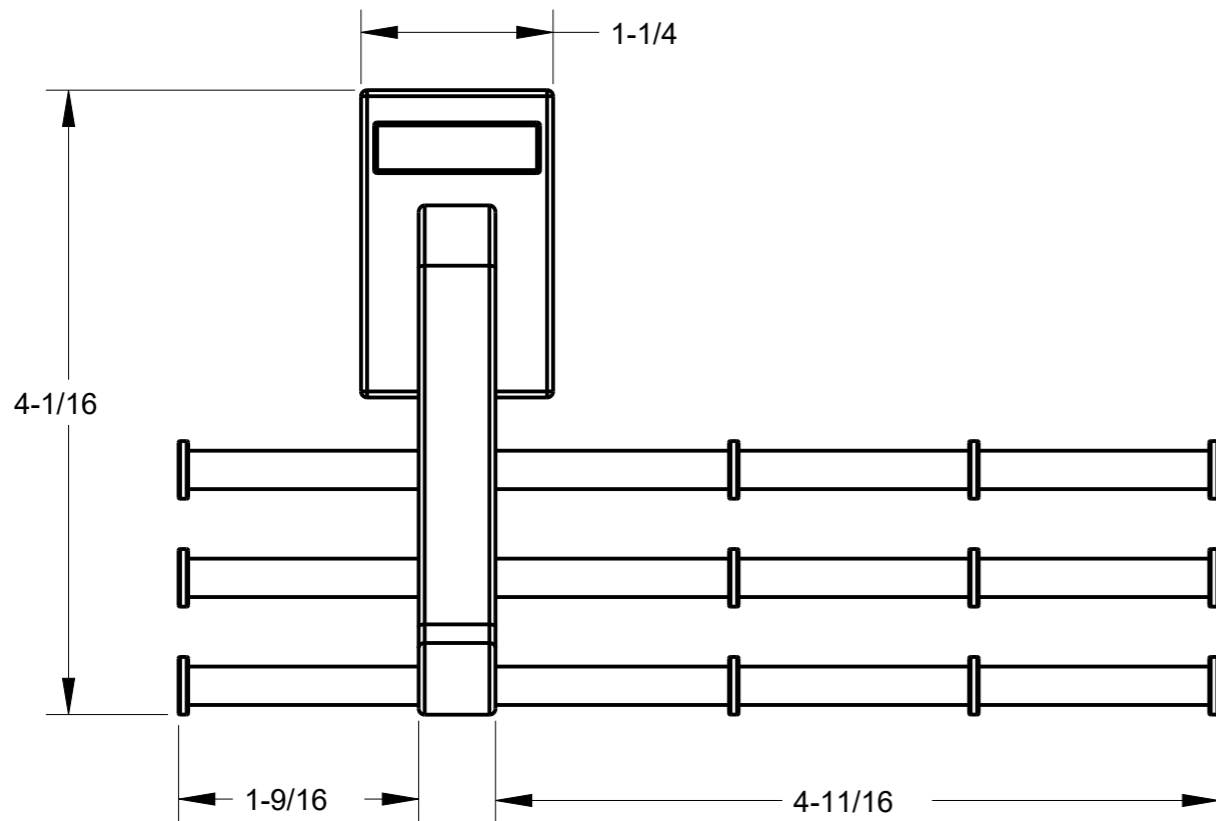
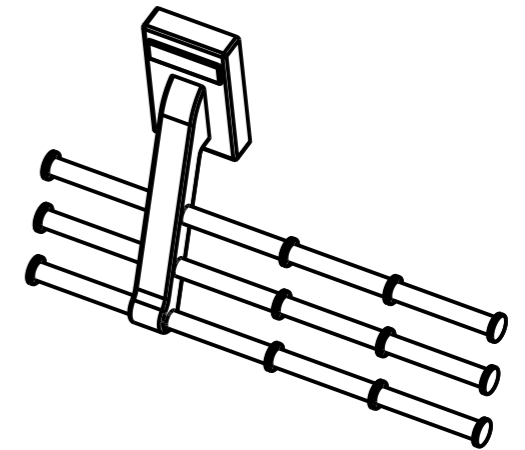
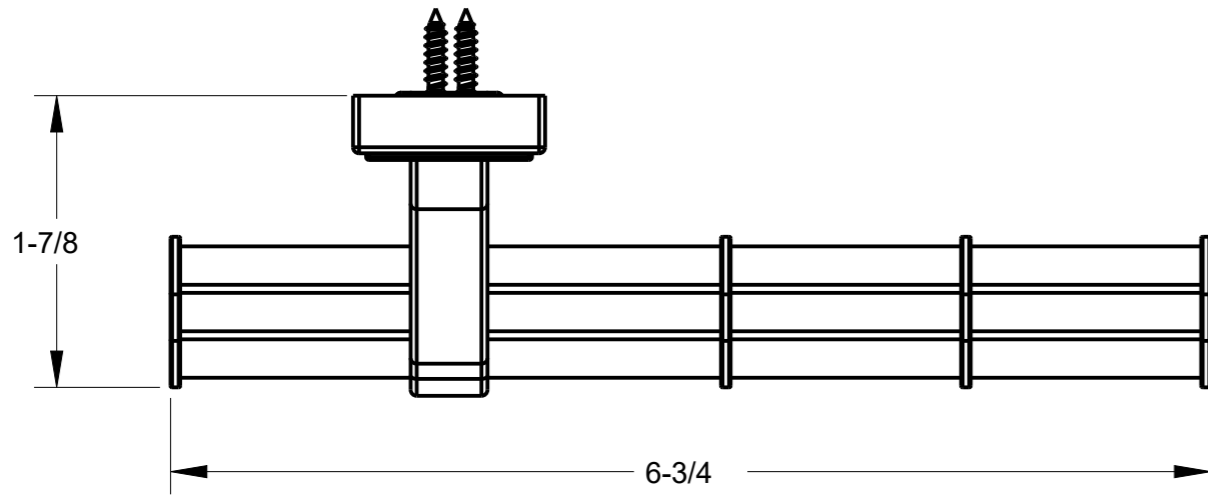
C

B

B

A

A



HR ITEM NUMBER	FINISH
356T-DBAC	BRUSHED OIL RUBBED BRONZE
356T-PC	POLISHED CHROME
356T-SN	SATIN NICKEL
356T-MB	MATTE BLACK

hardware resources

HARDWARE RESOURCES RESERVES THE RIGHT TO CHANGE SPECIFICATIONS WITHOUT NOTICE. IN CASE OF A DISCREPANCY, ACTUAL PART GEOMETRY SUPERSEDES THIS DOCUMENT.

THE INFORMATION CONTAINED WITHIN THIS DRAWING IS THE SOLE PROPERTY OF HARDWARE RESOURCES INC. ANY REPRODUCTION IN PART OR WHOLE WITHOUT WRITTEN PERMISSION OF HARDWARE RESOURCES INC. IS PROHIBITED.

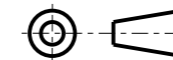
DOCUMENT STATUS **Released**

UNLESS OTHERWISE SPECIFIED DIMENSIONS ARE IN INCHES (IN)

MATERIAL
N/A

FINISH
SEE TABLE

THIRD ANGLE PROJECTION



DATE

13FEB2023

DESCRIPTION

TIE ORGANIZER, TRI-LEVEL

DRAWING NUMBER

356T

REV

B

SIZE
A3

SCALE
0.800

SHEET
1 / 1

8 7 6 5 4 3 2 1