

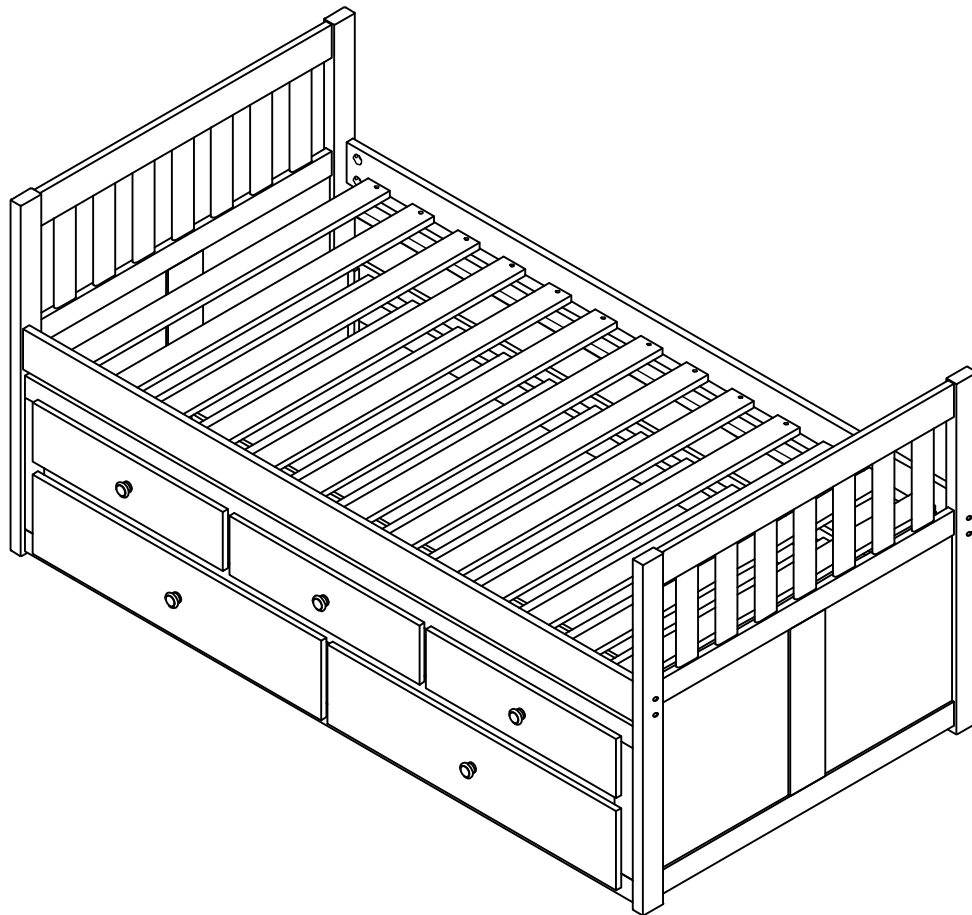
ASSEMBLY INSTRUCTION

TWIN CAPTAIN BED

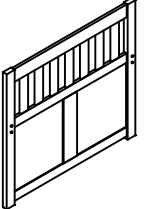
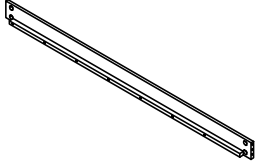
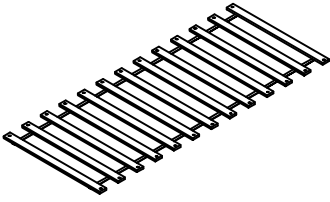
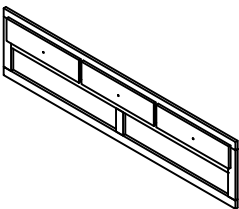
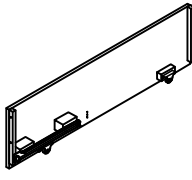
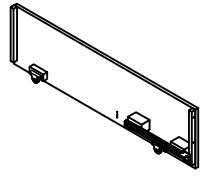
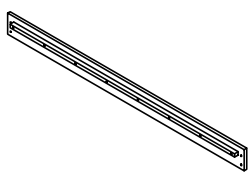
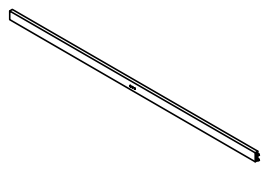
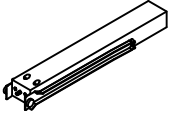
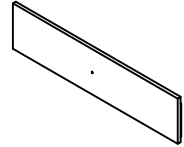
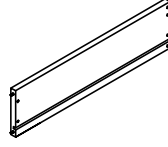
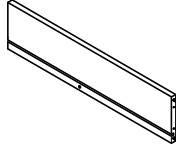
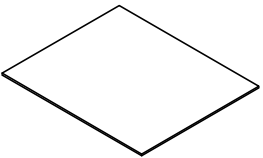
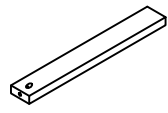
Follow the information on the warning appearing on the upper bunk end structure and on the carton.

Do not remove warning label from bed.

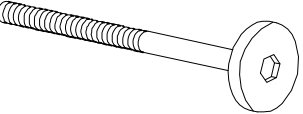
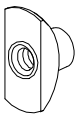
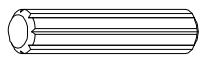
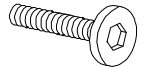
The user of water or sleep flotation mattresses is prohibited.



Component List

<p>A Captain Bed HB&FB</p> 	<p>B Side Rails</p> 	<p>C Twin Slats</p> 	<p>D Front Trundle Panel</p> 
<p>2 PCS</p>	<p>2 PCS</p>	<p>2SETS(13PCS/SET)</p>	<p>1 PC</p>
<p>E Trundle Panel-LSF</p> 	<p>F Trundle Panel-RSF</p> 	<p>G Back Trundle Rail</p> 	<p>H Center Trundle Rail</p> 
<p>1 PC</p>	<p>1 PC</p>	<p>1 PC</p>	<p>1 PC</p>
<p>I Center Support Rail</p> 	<p>J Drawer Front Panel</p> 	<p>K Drawer Side Panel</p> 	<p>L Drawer Back Panel</p> 
<p>1 PC</p>	<p>2 PCS</p>	<p>4 PCS</p>	<p>2 PCS</p>
<p>M Drawer Bottom Panel</p> 	<p>N Drawer Bottom Rail</p> 		
<p>2 PCS</p>	<p>2 PCS</p>		

Hardware List

<p>O Bolt 1/4"x 3 3/16"</p> 	<p>P Washer 1/4"x7/8"x1/2"x3/8"</p> 	<p>Q Wood Dowel Ø10 x 1 3/4"</p> 	<p>R Bolt 1/4"x 1 1/4"</p> 
<p>8 PCS</p>	<p>8 PCS</p>	<p>4 PCS</p>	<p>11 PCS</p>

S Knob
Ø38x1"H



5 PCS

T Bolt
5/32"x 7/8"



5 PCS

U Screw
5/32"x 1 "



20 PCS

V Screw
5/32"x 1 3/8 "



54 PCS

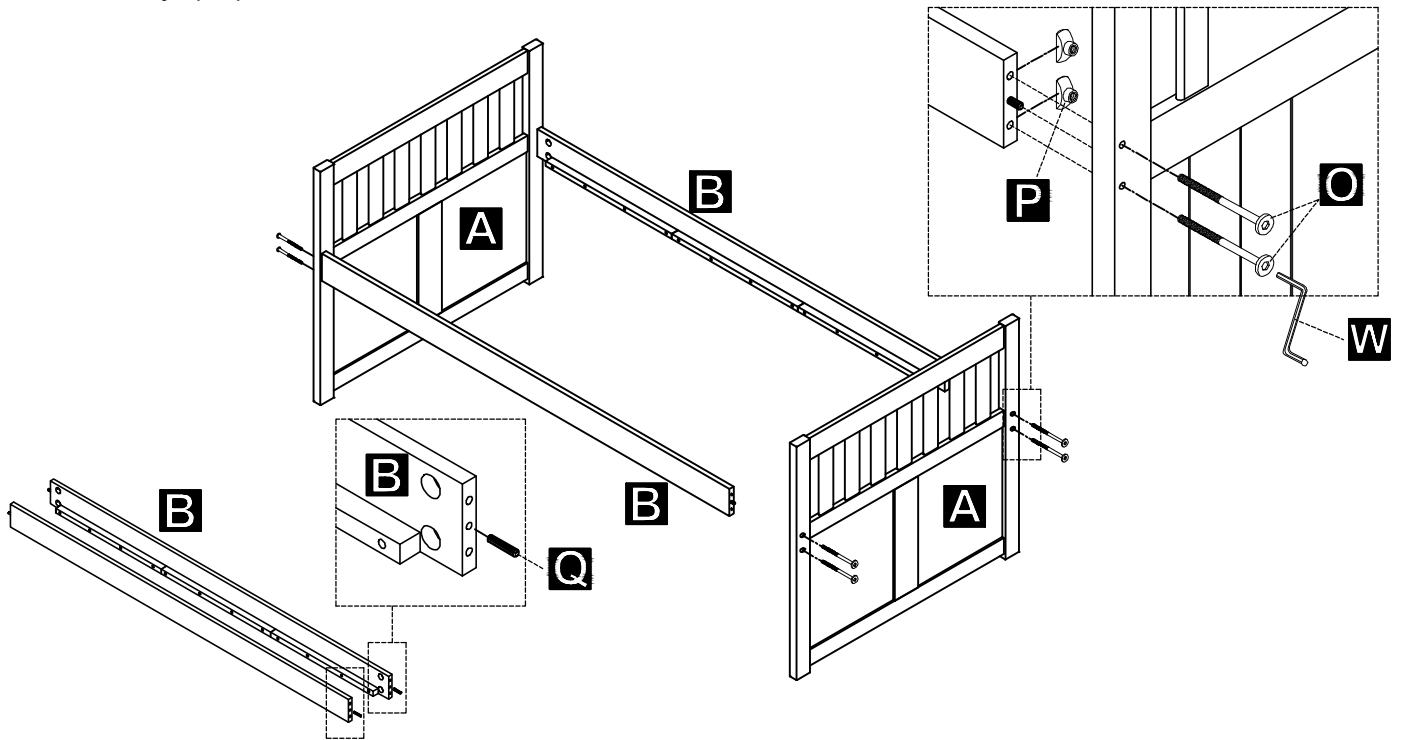
W Allen Key
M4 x 2 3/8"x1"x1"



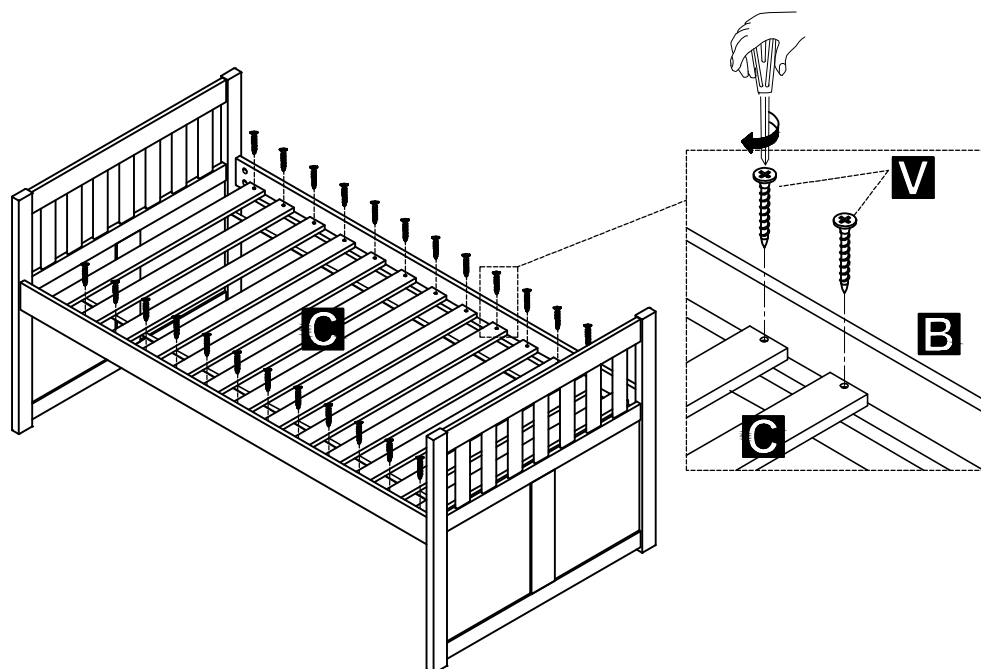
1 PC

This page lists all the contents included in the box. Please take the time to identify the hardware as well as the individual components to this product. As you unpack and prepare for assembly, place the contents on a carpeted or padded area to protect them from damage.

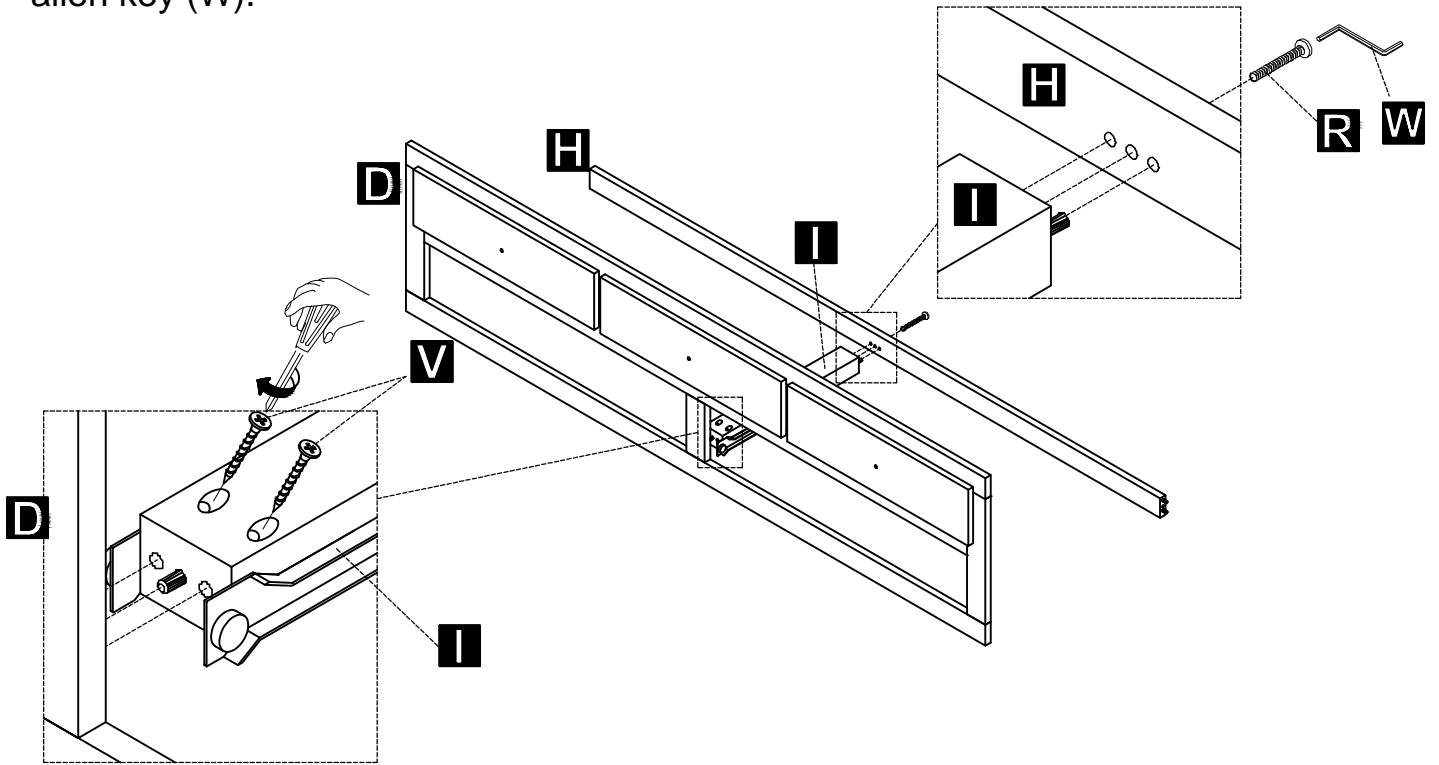
- 1** Insert wood dowel (Q) to the holes as shown in the drawings. Join the side rails (B) to captain bed HB&FB(A) with bolt (O) and washer (P). After that tighten bolts by allen key (W).



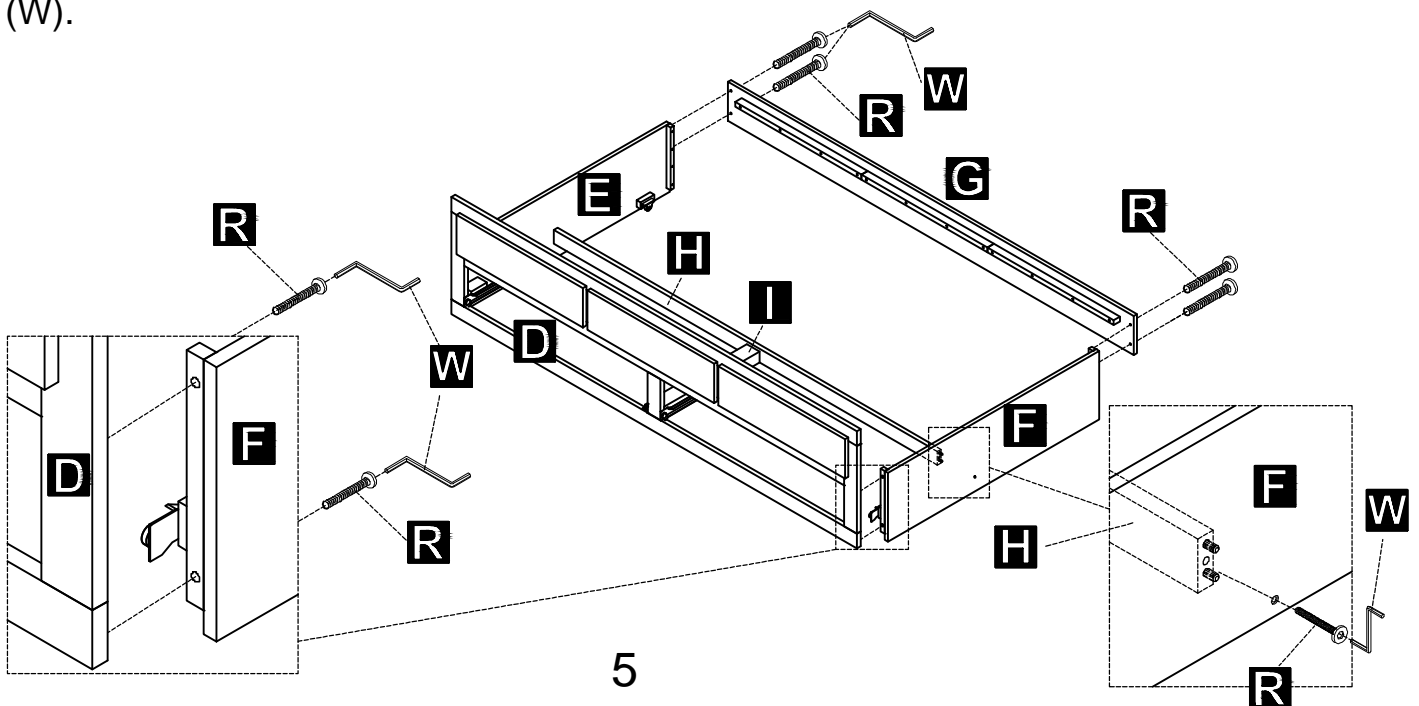
- 2** Put twin slats (C) for the bed and use screws (V) to tighten all slats by screwdriver (not provide) as below picture.



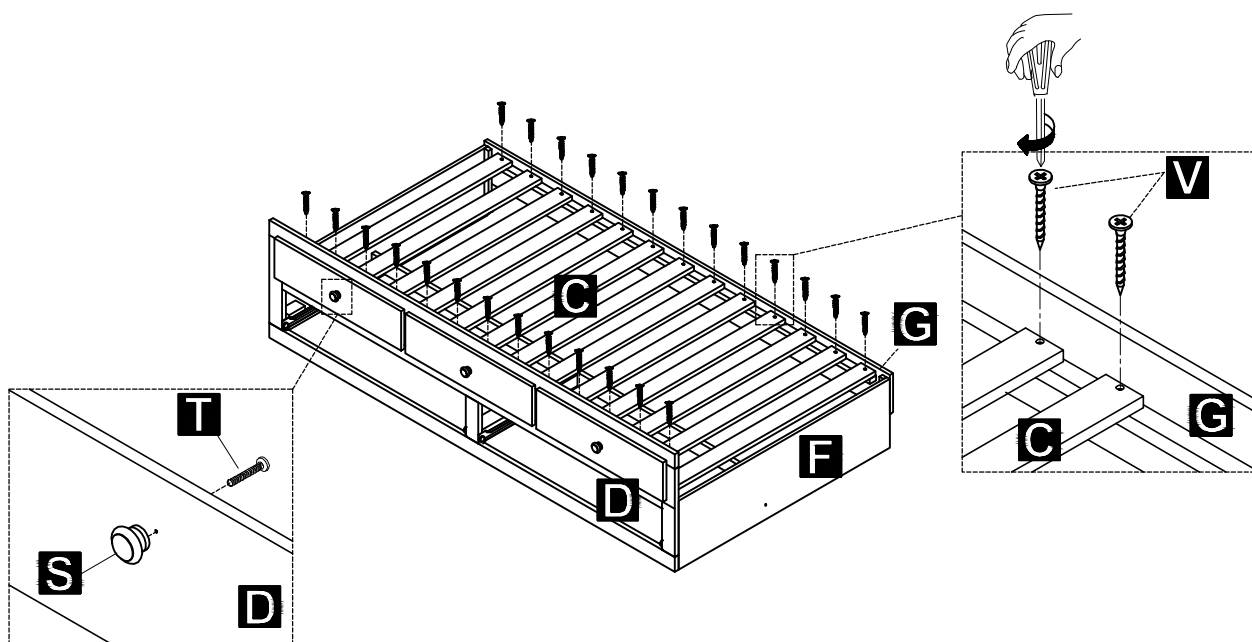
- 3** Join the center support rail (I) to front trundle panel (D) with screw (V) by screwdriver (not provide). Join the center trundle rail (H) to center support rail (I) with bolt (R) by allen key (W).



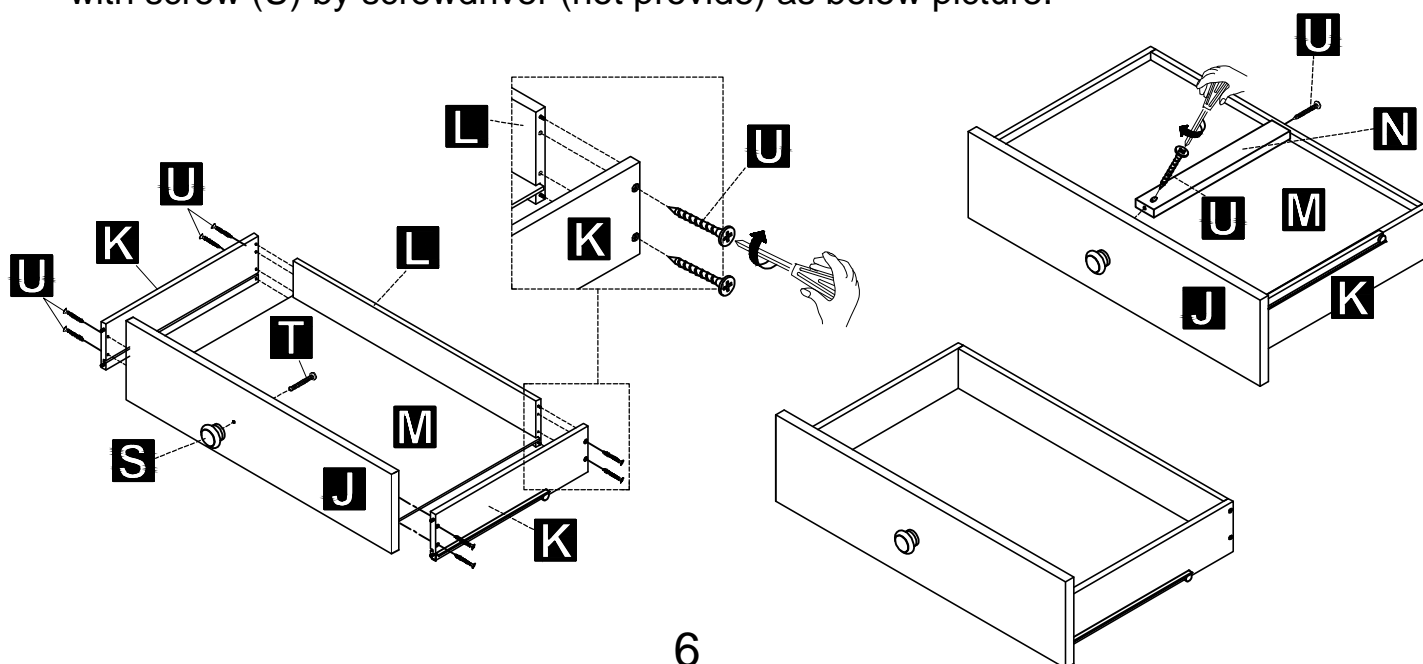
- 4** Join the trundle panel-LSF (E) and the trundle panel-RSF (F) to front trundle panel (D) and center trundle rail (H) with bolt (R). Join back trundle rail (G) to trundle panel-LSF (E) and trundle panel-RSF (F) with bolt (R). After that tighten bolts by allen key (W).



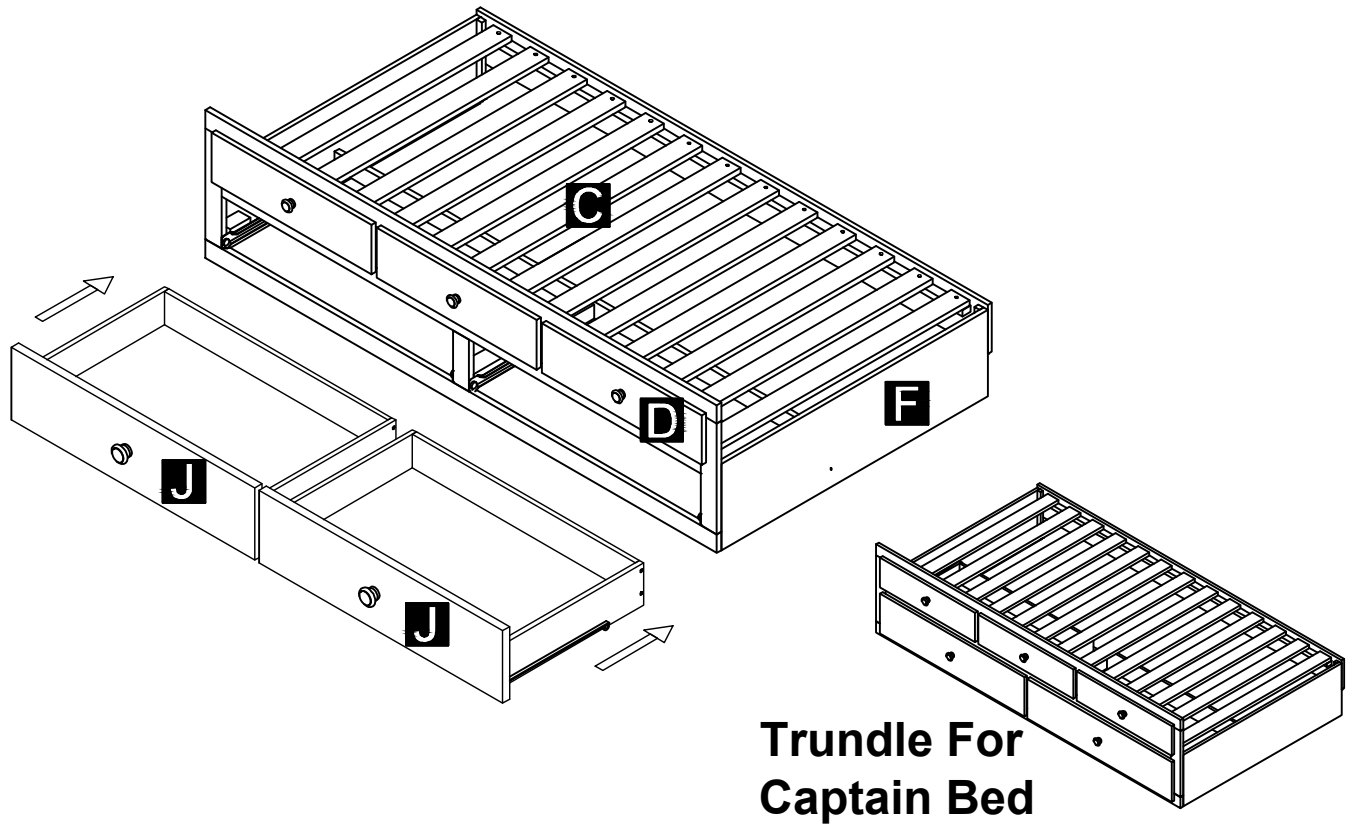
- 5** Put twin slats (C) for the trundle and use screws (V) to tighten all slats by screwdriver (not provide) as below picture. Install the knob (S) on front trundle panel (D) with bolt (T) by screwdriver (not provide).



- 6** Join the drawer front panel (J) , drawer side panel (K), drawer back panel (L) and drawer bottom panel (M) with screw (U) by screwdriver (not provide) . Install the knob (S) on drawer front panel (J) with bolt (T). Attach the drawer bottom rail (N) with screw (U) by screwdriver (not provide) as below picture.



7 Put 2pcs drawer box into the trundle frame as below picture.



Cleaning & Care

Treat surface with care. Surface is resistant to scratches but is not scratch resistant. Clean surfaces with a dry or damp soft cloth. Do not use abrasive cleaners. Hardware may loosen over time. Periodically check that all connections are tight.

IMPORTANT NOTICE

IMPORTANT NOTICE

-For Twin/Full bunk bed :

Use only mattress which is 74" long and 38" wide on upper bunk.

Use only mattress which is 74" long and 54" wide on lower bunk.

-For Twin/Twin bunk bed :

Use only mattress which is 74" long and 38" wide on upper bunk.

Use only mattress which is 74" long and 38" wide on lower bunk.

-Ensure thickness of mattress does not exceed 8" and mattress is at least 5" below upper edge of guardrails.

SAFETY WARNING

-Do Not remove warning label from bed.

-Always use the recommended size mattress or mattress support, or both, to help prevent the likelihood of entrapment or falls.

-Surface of mattress must be at least 5" (127mm) below the upper edge of guardrails.

-Do not allow children under 6 years of age to use the upper bunk.

-Periodically check and ensure that the guardrail, ladder, and other components are in their proper position, free from damage, and that all connectors are tight.

-Do not allow horseplay on or under the bed and prohibit jumping on the bed.

-Always use the ladder for entering and leaving the upper bunk.

-Do not use substitute parts-Contract the manufacturer or dealer for replacement parts.

-Use of night light may provide added safety precaution for a child using the upper bunk.

-Always use guardrails on both long sides of the upper bunk. If the bunk bed will be placed next to the wall, the guardrail that runs the full length of the bed should be placed against the wall to prevent entrapment between the bed and wall.

-The used of water or sleep flotation mattress is prohibited.

STRANGULATION HAZARD

-Never attach or hang items to any part of the bunk bed that are not designed for use with the bed ; for example, but not limited to, hooks, belts, and jump ropes.

-Keep these instructions for future reference.