

Installation Instructions

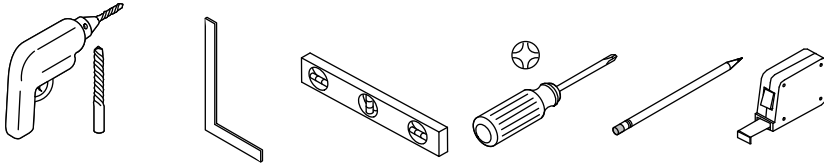
Floor-Mount Bath Faucet

Français, page "Français-1"
Español, página "Español-1"

THE BOLD LOOK
OF **KOHLER**®

1443289-2-A

Tools and Materials



Sealant Tape



Plus:

- 3/16" Masonry Bit (for concrete installation)
- Conventional Woodworking Tools
- Plumbing Tools and Materials

Important Information



CAUTION: Risk of personal injury. Do not use the bath filler as a grab bar or support bar when entering or exiting the bath. The bath filler is not designed to support weight.

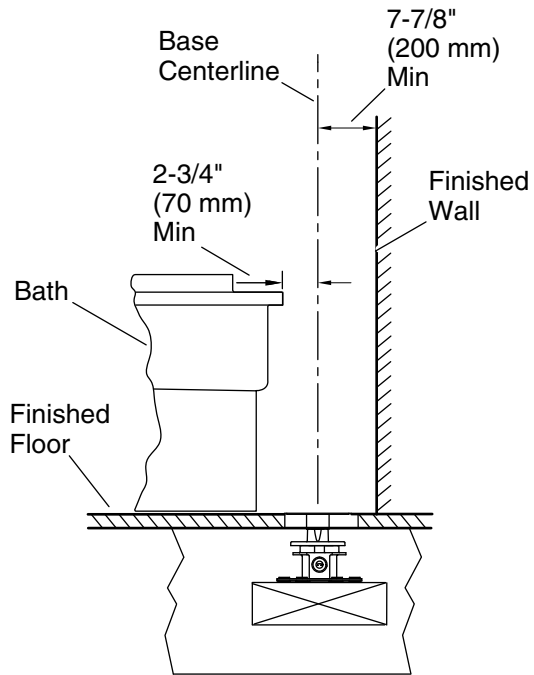
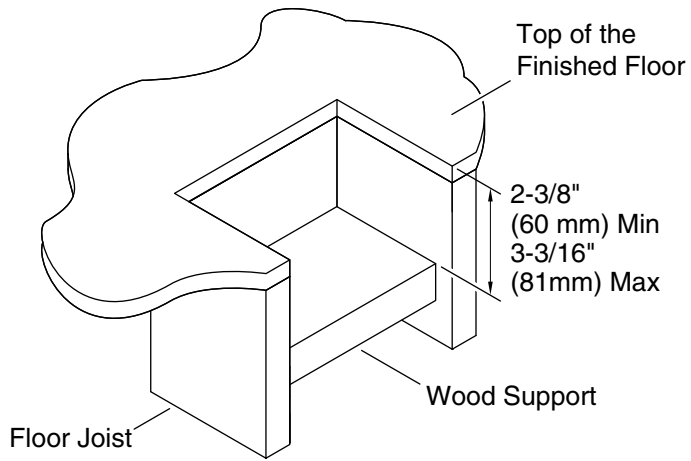
NOTICE: To avoid damage to the O-rings on the bottom of the faucet, keep the faucet vertical and use care when installing the faucet.

NOTE: A minimum operating pressure of 45 psi (310 kPa) is required for proper operation. If a pressure of less than 45 psi (310 kPa) is present, contact a plumber or choose another faucet.

- For use with automatic compensating valves rated at 1.6 gal/min (6.1 l/min) or less.
- Follow all local plumbing and building codes.
- Turn OFF the water supply.
- A drill bit is provided for installation to wood support. Use an appropriate drill bit for other materials.
- The dimensions given assume the spout and bath are mounted on the same surface. Adjust the dimensions accordingly if the spout and bath are mounted on different surfaces.
- If this product is installed with an overflowing bath, the outer rim of the bath should slightly overlap the 2x4 framing.
- Installer supplied copper tubing must be 5/8"OD (1/2" Nominal).
- Carefully review this document and any appropriate rough-in sheets. Design the bath enclosure accordingly.

Important Information (cont.)

- The appearance of your faucet may differ from the illustrations in this guide. The instructions still apply.



1. Prepare the Site

IMPORTANT! 2x6 lumber is NOT adequate for this application.

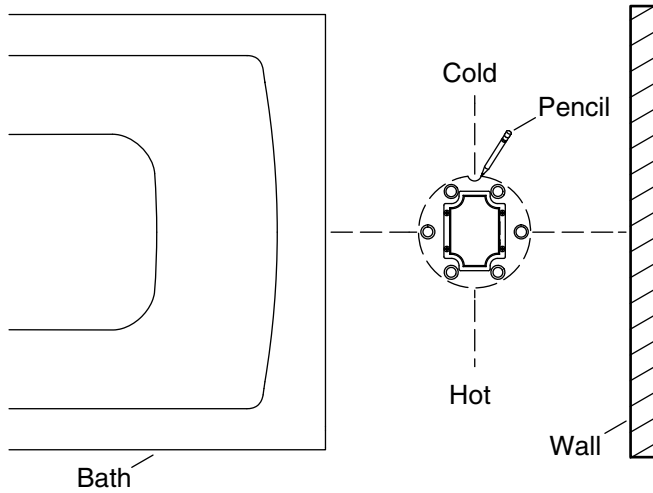
Prepare the Site (cont.)

NOTICE: Adequate floor support is required. The wood support must be a minimum of 2" (51 mm) thick by 6" (152 mm) wide. 2x6 lumber is NOT adequate for this application.

NOTE: Concrete can be used as the floor support.

- Plan out the bath filler placement based on the dimensions above.
- Cut a hole in the subfloor large enough to install the wood support between two floor joists.
- Secure the wood support between 2-3/8" (60 mm) to 3-3/16" (81 mm) below the top of the finished floor.

Top View

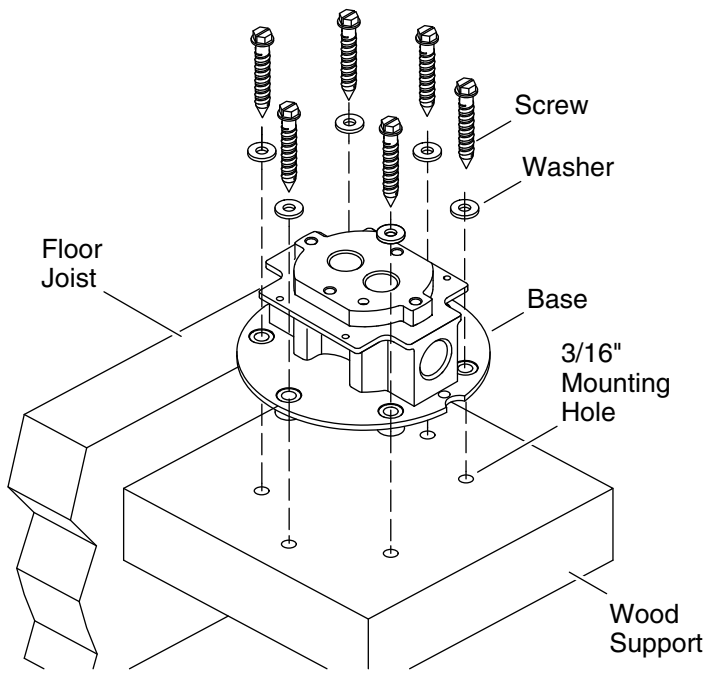


2. Spout Orientation

NOTE: Verify correct spout orientation before securing the base to the wooden support.

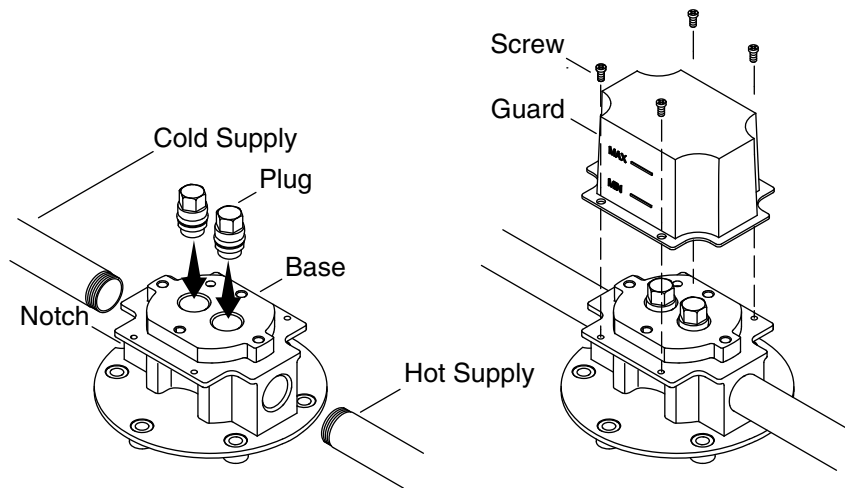
NOTE: The base has a blue mark and a notch on the cold supply side.

- Orient the base with the cold supply side notch placed in the direction shown.
- If possible, dry fit the faucet to the base using the screws and washers. Orient the spout to the inside of the bath.
- If your faucet is not available at this time, make sure the base is positioned so the faucet will properly run water into the bath.
- Mark the mounting hole locations on the wooden support.
- Mark the orientation of the base and where the notch is positioned on the wooden support.



3. Install the Base

- If attached, remove the faucet from the base.
- Drill 1-1/2" (380 mm) deep holes with a 3/16" drill bit (provided) using the marked locations as the center point.
- If using concrete as the floor support, drill 1-1/2" (380 mm) deep holes with a 3/16" masonry bit (not provided).
- Realign the base to the position you marked. Make sure the cold supply side notch is in the correct orientation.
- Secure the base to the support with the screws and washers provided.
- Verify the base is level and tighten the screws.

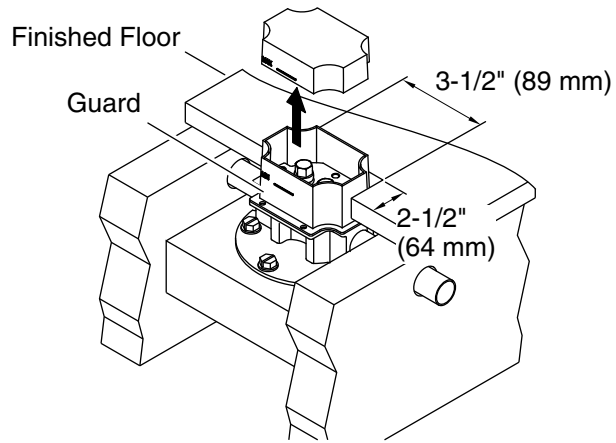
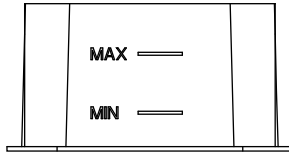


4. Connect the Supplies

NOTE: The base has a blue mark and a notch on the cold supply side.

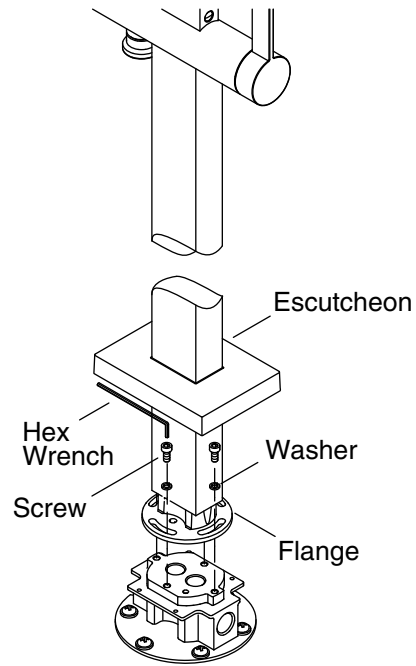
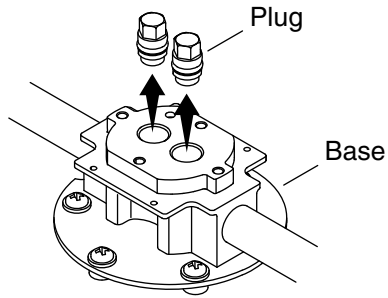
- Apply sealant tape on the ½" NPT hot and cold supply pipes and thread into the base.
- Insert the plugs into the base.
- Turn ON the water supply and check for leaks.
- Turn OFF the water supply.
- Secure the guard onto the base with the screws provided.

Fit the finished floor
between the
Min and Max lines.



5. Install the Finished Floor

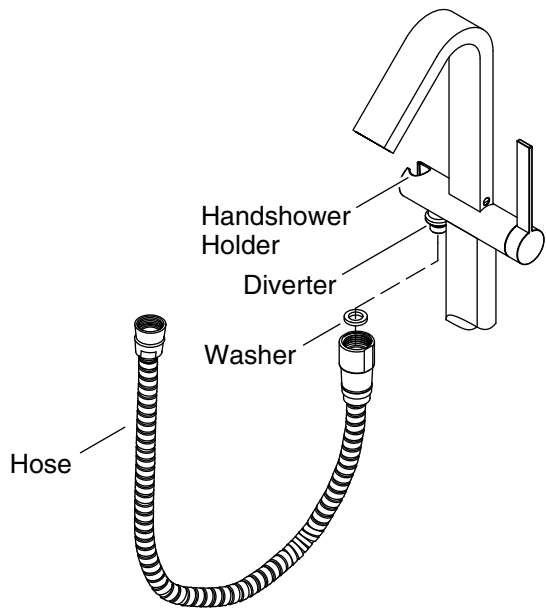
- Finish the floor leaving a 3-1/2" (89 mm) by 2-1/2" (64 mm) hole for the guard.
- Cut the guard so it is flush with the finished flooring.



6. Install the Faucet

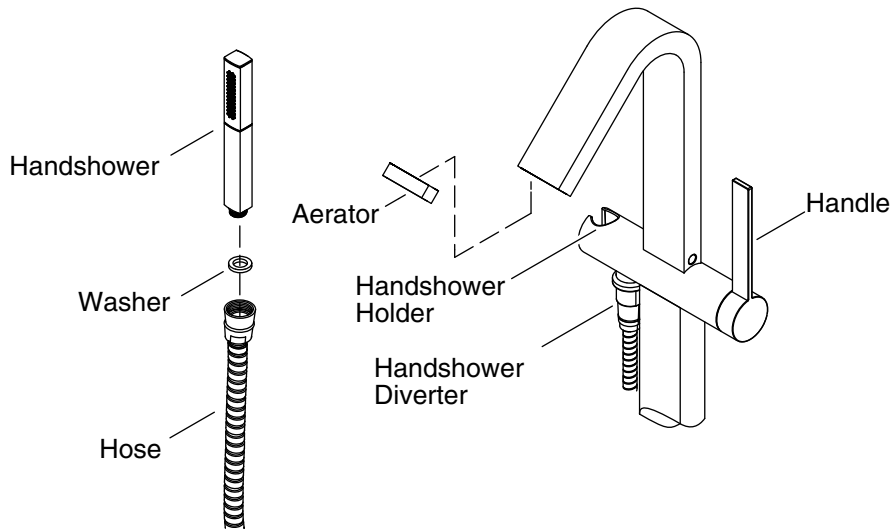
NOTICE: To avoid damage to the O-rings on the bottom of the faucet, keep the faucet vertical and use care when installing the faucet.

- Make sure the water is turned off.
- Relieve the water pressure.
- Remove the plugs from the base.
- Remove the rubber protector (not shown) from the faucet.
- Place the faucet onto the base and insert the screws and washers provided through the flange.
- Tighten the screws using the hex wrench provided.
- Slide the escutcheon down onto the floor, covering the base.



7. Install the Handshower

- Install the handshower hose as shown.



8. Installation Checkout

- Ensure the faucet handle is in the OFF position.
- Turn ON the water supply and check for leaks.
- Point the hose into the bath and turn the faucet handle to the ON position.
- Pull the diverter out to send water through the hose to remove debris.
- Turn OFF the faucet to reset the diverter.
- Turn ON the faucet and run hot and cold water through the spout to remove debris.
- Check for leaks.
- Turn the faucet OFF.
- Install the handshower to the hose and place into the handshower holder.