

Features

- Spacious design accommodates up to two bathers
- Integral lumbar support and armrests offer extra comfort while bathing

Material

- Acrylic

Installation

- Drop-in or corner alcove

Required Products/Accessories

K-T37391 Rotary-turn bath drain trim

K-T37392 Rotary-turn bath drain trim

or

K-37385 rough-in cable drain, PVC, 45" cable

K-78439 45" cable bath drain

Recommended Products/Accessories

K-1491 Bath/Whirlpool Pillow

K-11677 Bath Drain

K-1601 Bath/whirlpool footstop, removable

K-7213 27" Cable Bath Drain

K-7214 27" Cable Bath Drain

K-7259 Brass toe tap bath drain

K-23726 Drain treatment



Codes/Standards

CSA B45.5/IAPMO Z124

UL 1795


KOHLER® Plastic Baths and Shower Bases Lifetime Limited Warranty

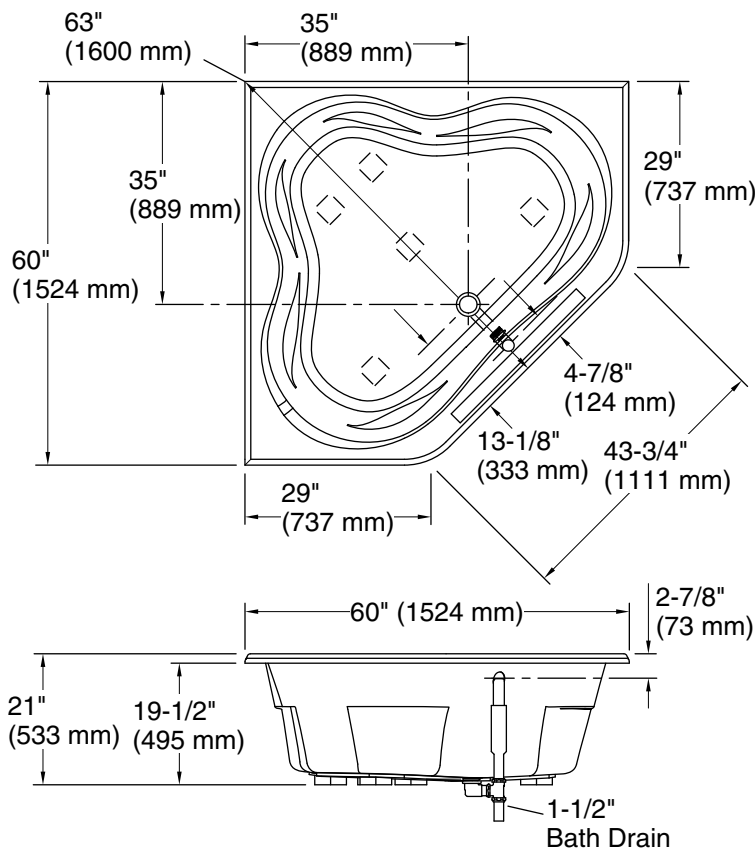
See website for detailed warranty information.

Available Colors/Finishes

Color tiles intended for reference only.

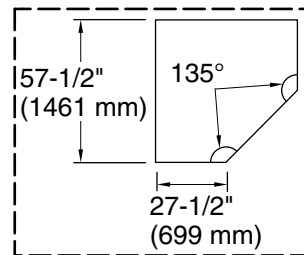
Color	Code	Description
-------	------	-------------

	0	White
---	---	-------

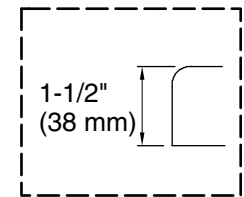


No change in measurements if connected with drain illustrated. (K-11677)

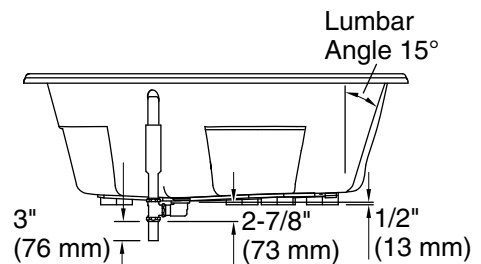
☐ Recommended Faucet Location



Drop-In Rim Style Cut-Out Detail



Drop-in Rim Detail



Technical Information

All product dimensions are nominal.

Drain location:	Center
Basin area, bottom:	52" x 38-3/4" (1321 mm x 984 mm)
Basin area, top:	61" x 46-1/4" (1549 mm x 1175 mm)
Weight:	91 lbs (41.3 kg)
Minimum floor load:	38 lbs/ft ² (185.5 kg/m ²)
Water depth:	15" (381 mm)
Water capacity:	96 gal (363.4 L)
Cutout:	Drop-in, 57-1/2" x 27-1/2" (1461 mm x 699 mm)

Notes

Measure your actual product for rough-in details.

Install this product according to the installation instructions.

The hot water supply should be 70% of the capacity of the bath or greater. Installations will vary.

If installing a rim-mount faucet, make sure there is no interference above or below the deck before drilling any holes.