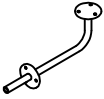
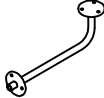

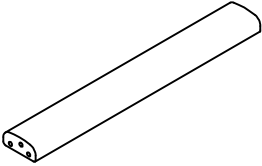
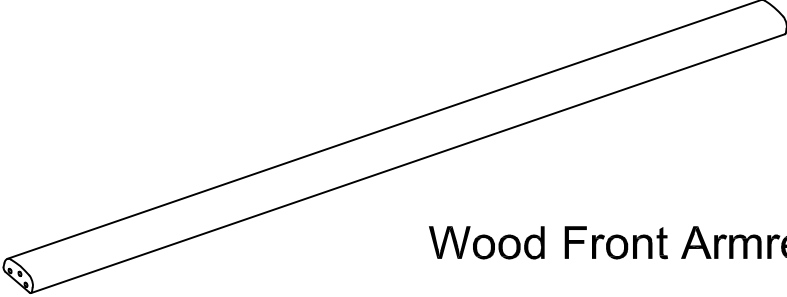


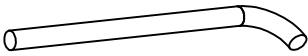
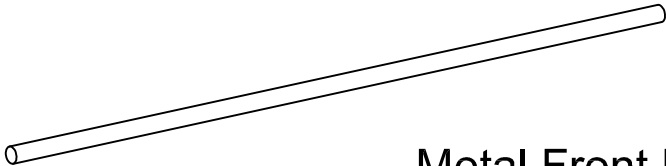


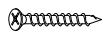


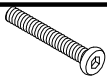


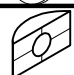
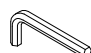
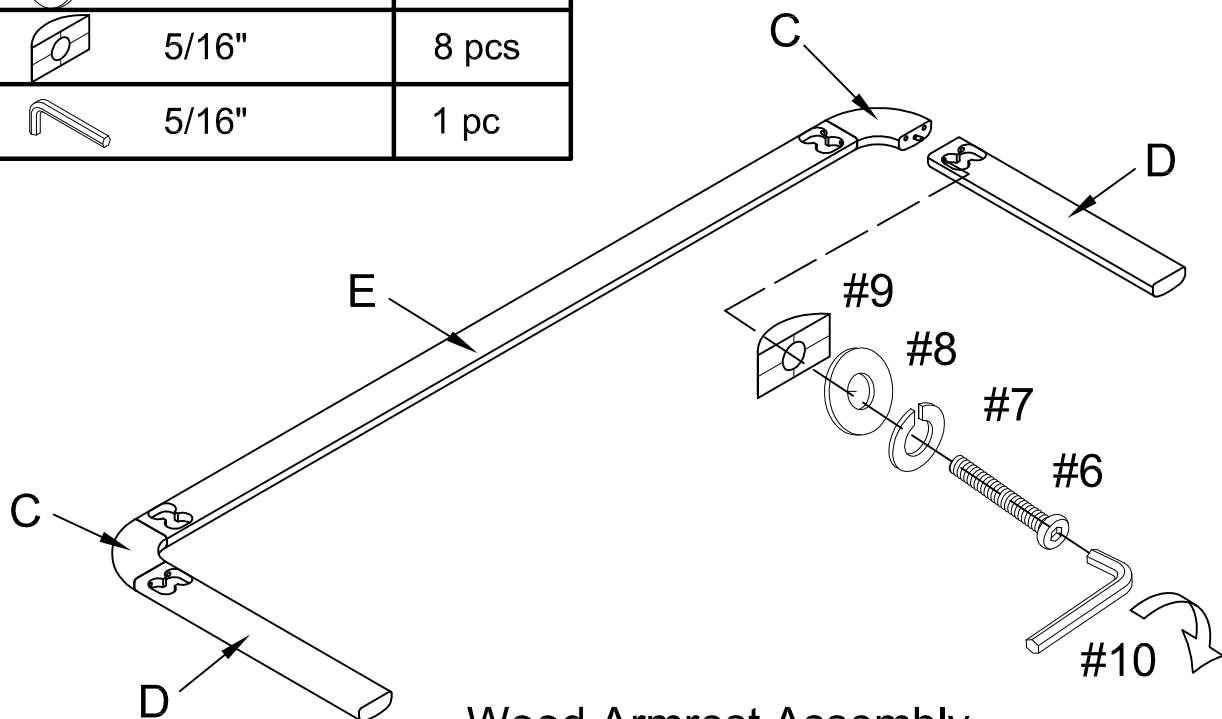


Armrest Component List		QTY
A	 Front Armrest Support	3 pcs
B	 Side Armrest Support	4 pcs
C	 Wood Corner Armrest	2 pcs
D	 Wood Side Armrest	2 pcs
E	 Wood Front Armrest	1 pc

Footrest Component List		QTY
F	 Front Footrest Support	3 pcs
G	 Side Footrest Support	4 pcs
H	 Metal Side Footrest	2 pcs
J	 Metal Front Footrest	1 pc

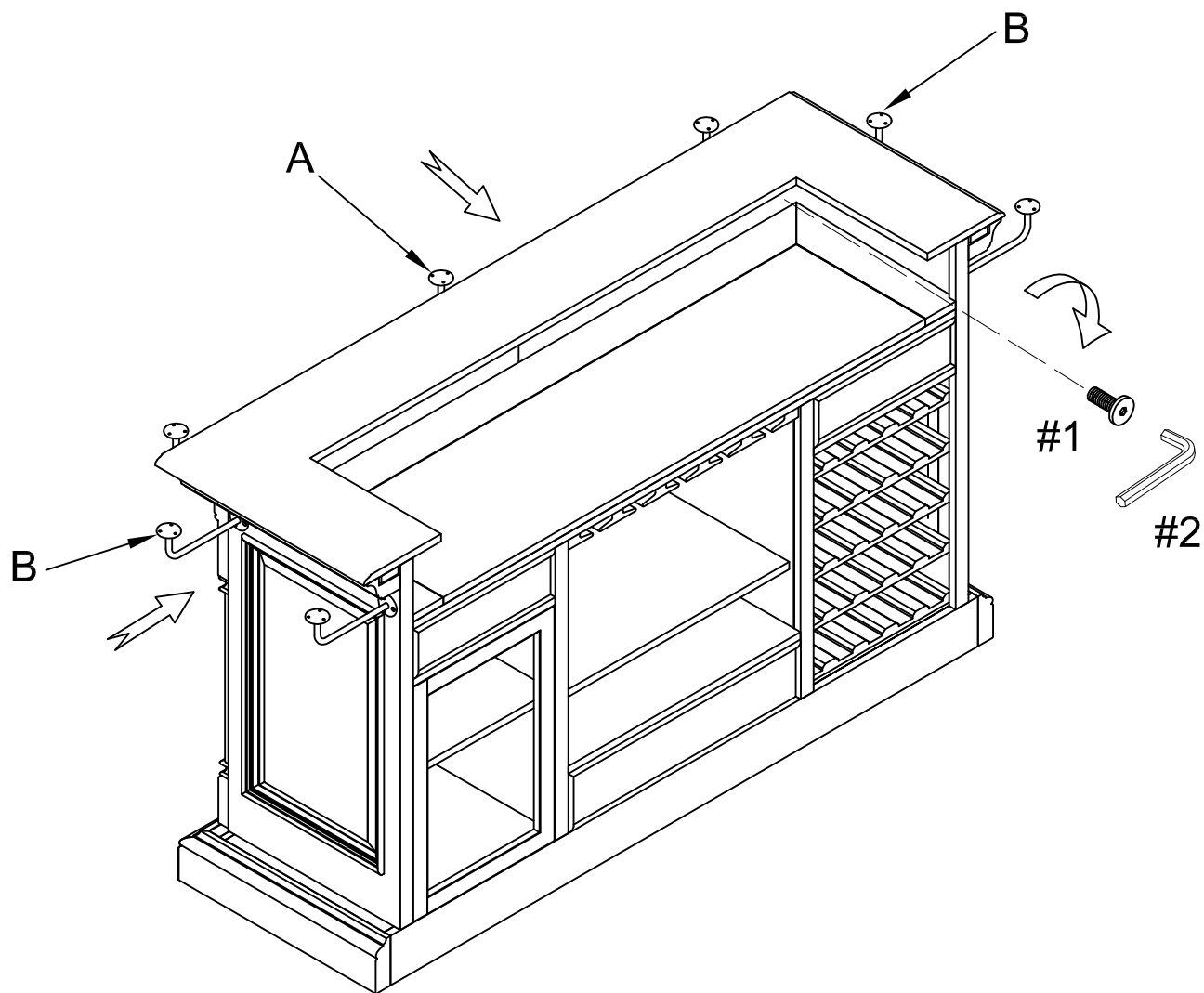
**HARDWARE LIST**

No.	Description	QTY
1	 1/4" x 1/2"	14 pcs
2	 1/4"	1 pc
3	 #8 x 3/4"	70 pcs
4	 3/16" x 3/8"	7 pcs
5	 3/16"	1 pc
6	 5/16" x 2"	8 pcs
7	 5/16"	8 pcs
8	 5/16"	8 pcs
9	 5/16"	8 pcs
10	 5/16"	1 pc

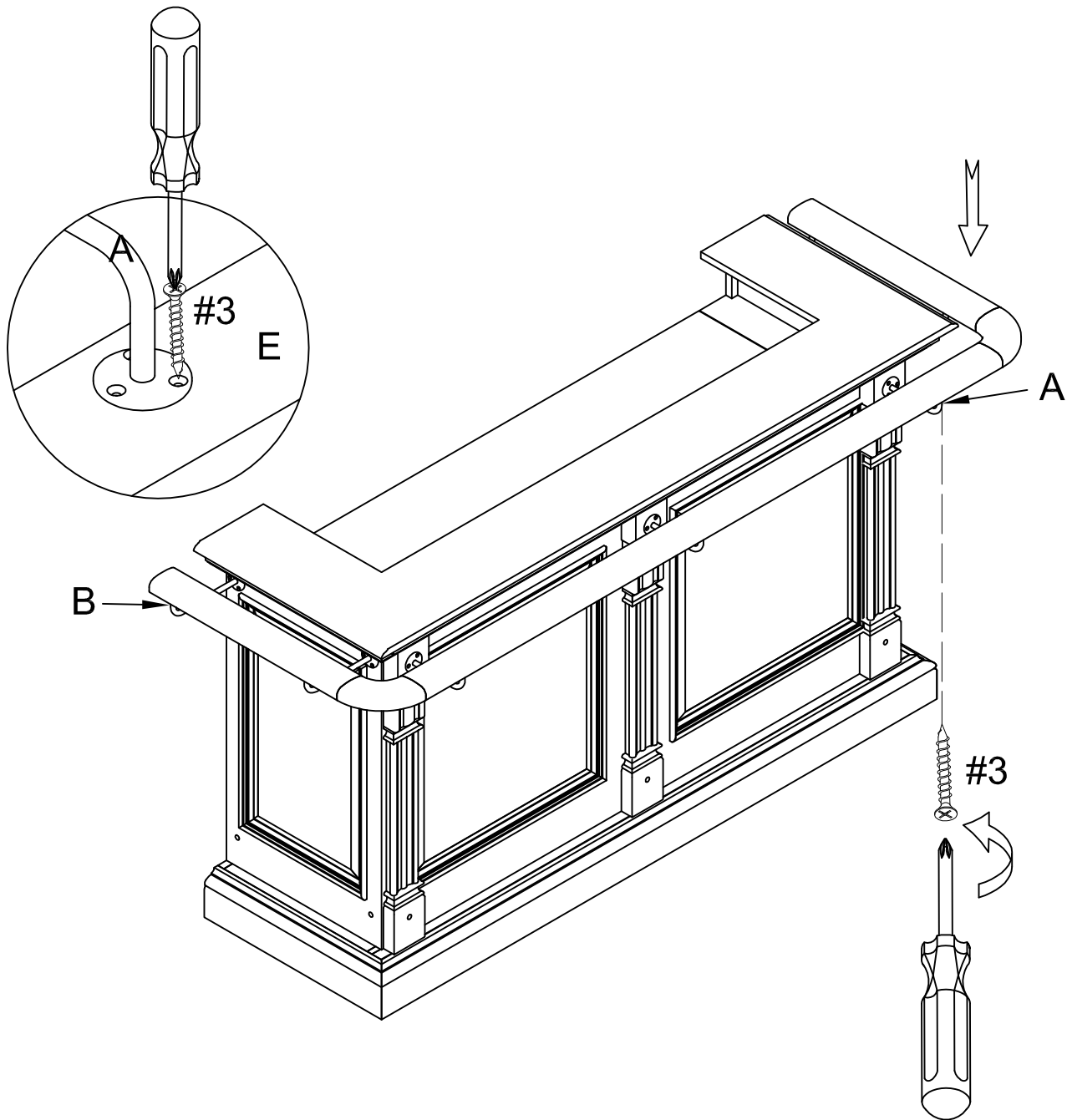


**Wood Armrest Assembly**

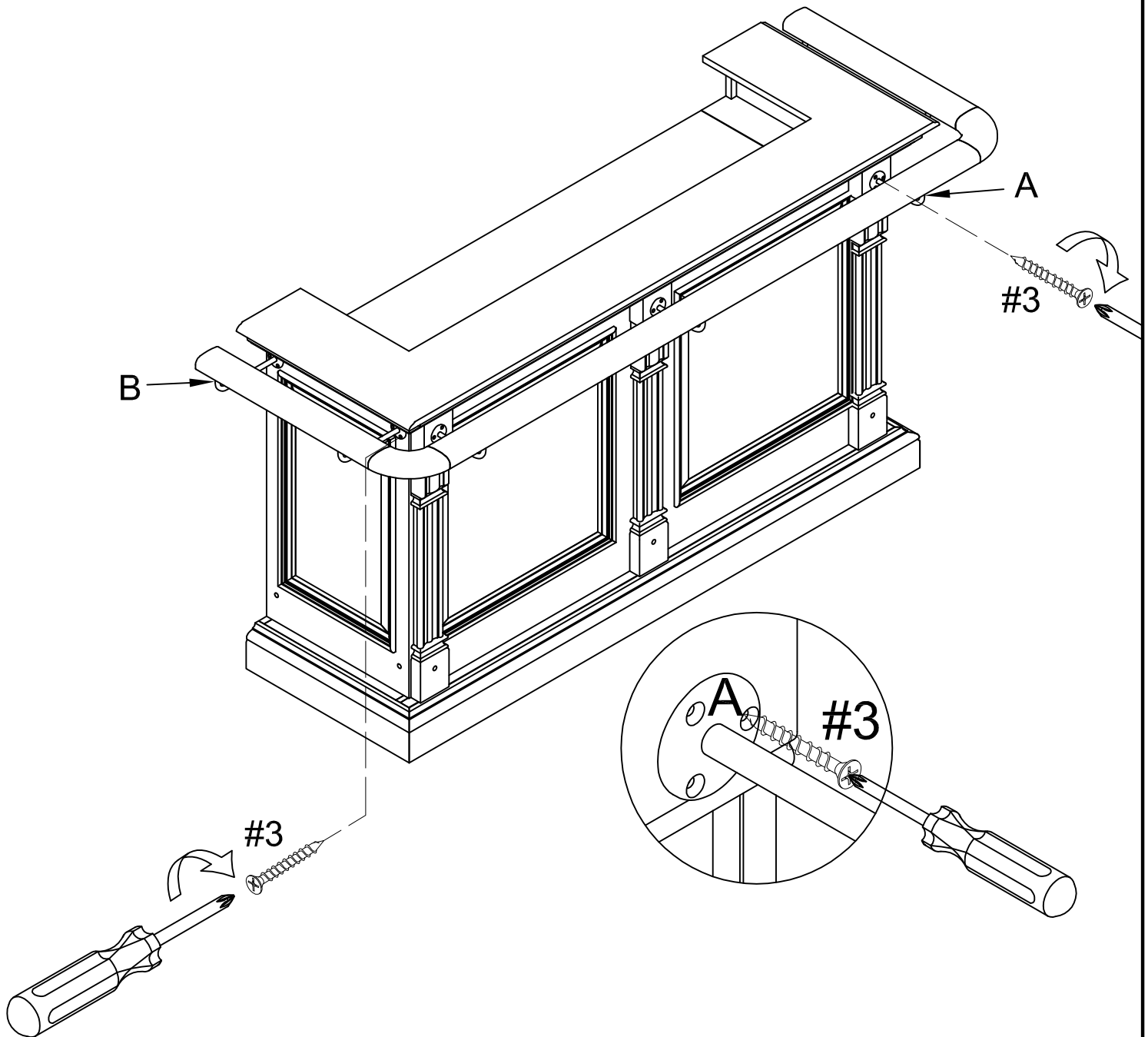
- 1) Assemble wood armrest parts [D+C+E+C+D] as shown using the alignment pins already provided in the wood parts.
- 2) Install hardware [#9+#8+#7+#6] using hex wrench [#10]; (8) places.



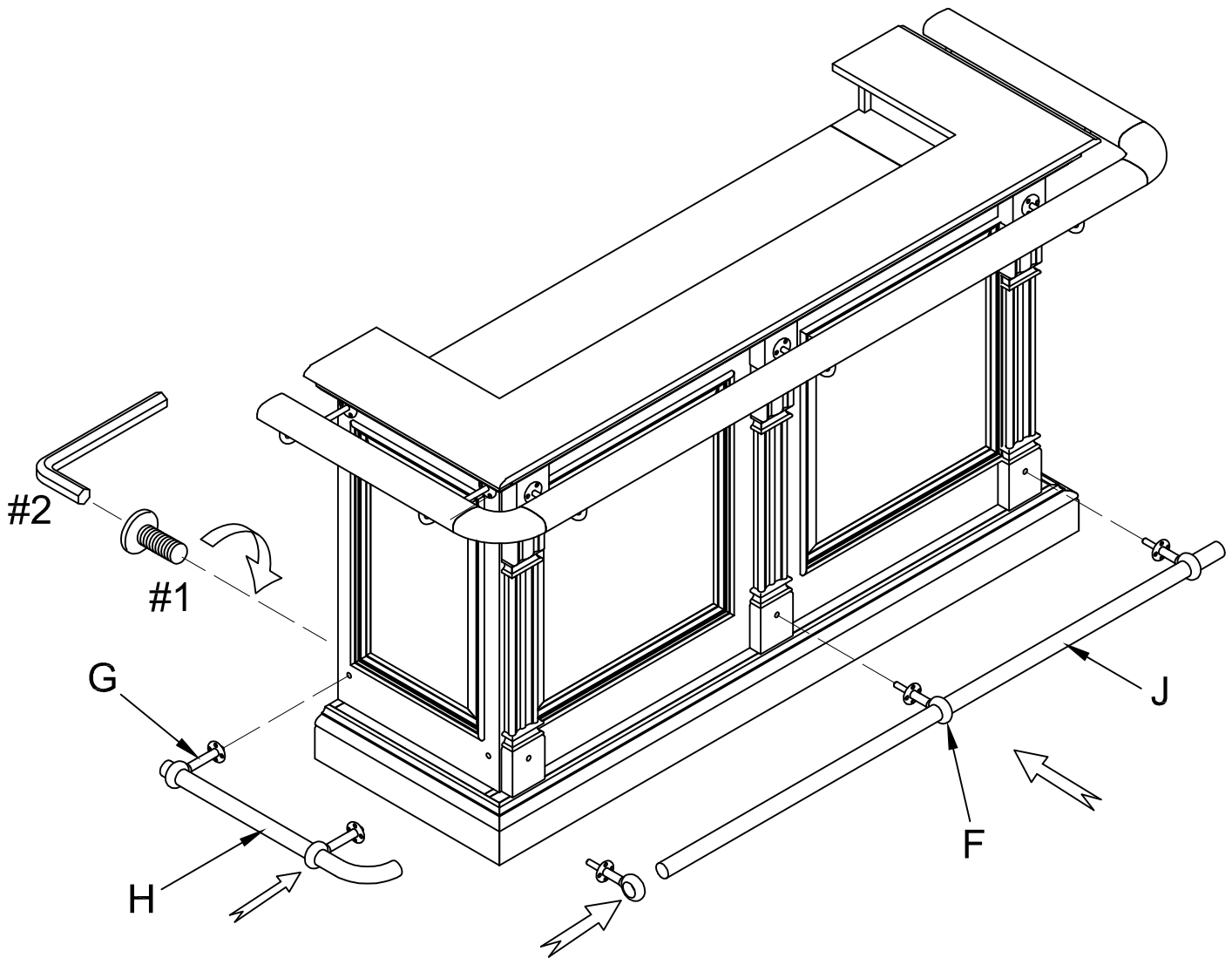
- 3) Insert the (3 pcs) Front Armrest Supports [A] and the (4 pcs) Side Armrest Supports [B] into the top holes provided.
- 4) Install (3 pcs) Connector Bolts [#1] from the backside to fix (3 pcs) Front Armrest Supports [A], making sure they are seated tight using hex wrench [#2].
- 5) Install (4 pcs) Connector Bolts [#1] from the backside to fix (4 pcs) Side Armrest Supports [B], making sure they are seated tight using hex wrench [#2].



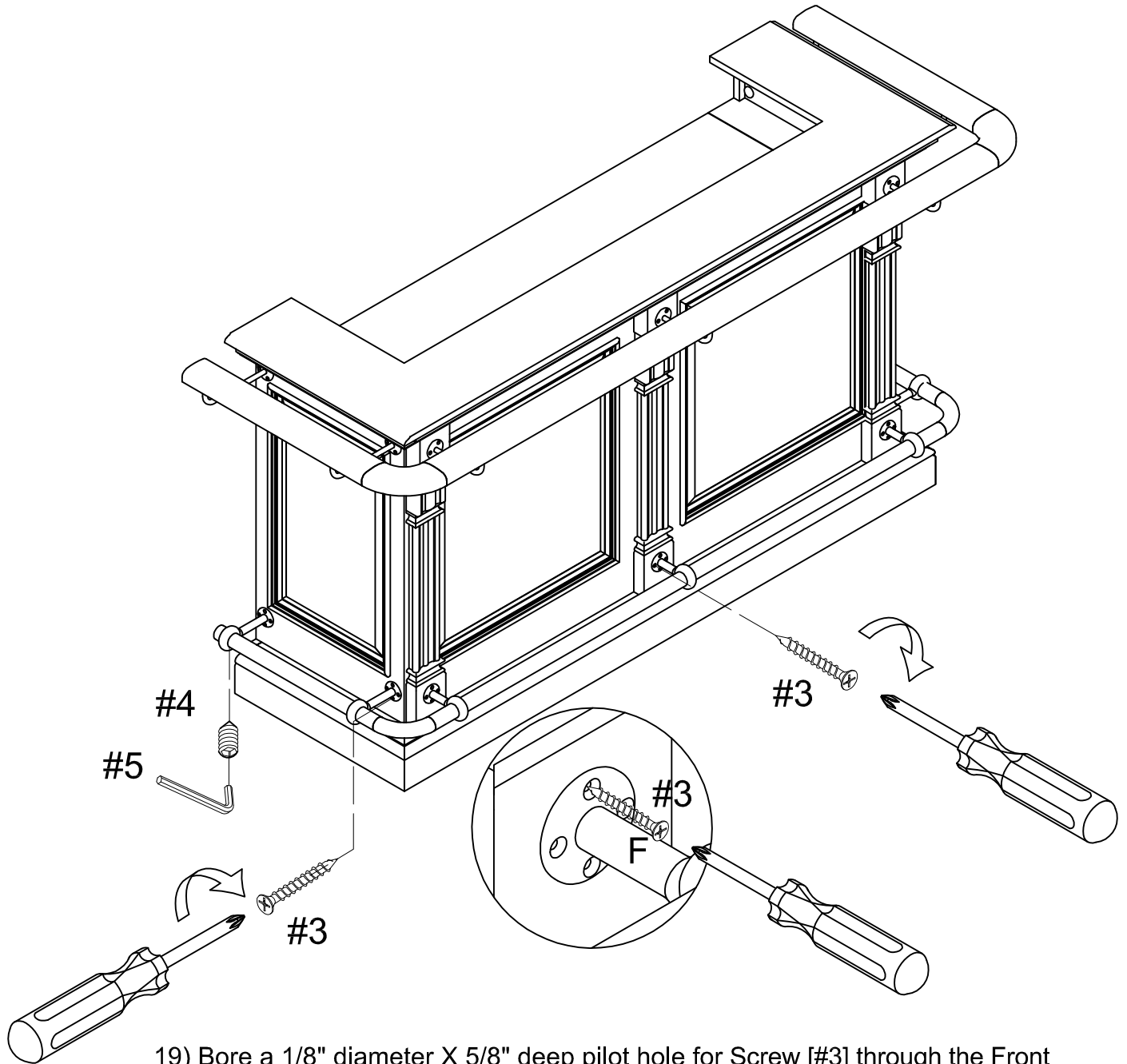
- 6) Place the Wood Armrest Assembly on the Armrest Supports. Make sure all the armrest supports are aligned with the recessed holes provided in the bottom of the armrest.
- 7) Bore a 1/8" diameter X 5/8" deep pilot hole for Screw [#3] in the bottom side of the armrest; (21) places
- 8) Install the Wood Armrest Assembly using (21 pcs) Screws [#3] to the Armrest Supports [A & B].



- 9) Bore a 1/8" diameter X 5/8" deep pilot hole for Screw [#3] through the Front Armrest Supports [A] into the bar; (9) places
- 10) Install (9 pcs) Screws [#3] to attach the Front Armrest Supports [A].
- 11) Bore a 1/8" diameter X 5/8" deep pilot hole for Screw [#3] through the Side Armrest Supports [B] into the bar; (12) places
- 12) Install (12 pcs) Screws [#3] to attach the Side Armrest Supports [B].



- 13) Install the (3 pcs) Front Footrest Supports [F] onto the Metal Front Footrest [J].
- 14) Insert the (3 pcs) Front Footrest Supports [F] into the bottom holes provided on the front.
- 15) Install the (2 pcs) Side Footrest Supports [G] onto each Metal Side Footrest [H].
- 16) Insert the (4 pcs) Side Footrest Supports [G] in the bottom holes provided on the sides while aligning the corners of the Metal Side Footrests [H] with the Metal Front Footrest [J].
- 17) Install (3 pcs) Connector Bolts [#1] from backside to fix (3 pcs) Front Footrest Supports [F], making sure they are seated tight using hex wrench [#2].
- 18) Install (4 pcs) Connector Bolts [#1] from backside to fix (4 pcs) Side Footrest Supports [G], making sure they are seated tight using hex wrench [#2].



- 19) Bore a 1/8" diameter X 5/8" deep pilot hole for Screw [#3] through the Front Footrest Supports [F] into the bar; (12) places
- 20) Install (12 pcs) Screws [#3] to attach the Front Footrest Supports [F].
- 21) Bore a 1/8" diameter X 5/8" deep pilot hole for Screw [#3] through the Side Footrest Supports [G] into the bar; (16) places
- 22) Install (16 pcs) Screws [#3] to attach the Side Footrest Supports [G].
- 23) Install (7 pcs) Set Screws [#4] with hex wrench [#5] into the bottom of each footrest support to fix the footrest.