



XOU15BCGSX

15" STAINLESS STEEL UNDERCOUNTER
BEVERAGE CENTER WITH FIELD REVERSIBLE DOOR

LIFESTYLE REFRIGERATION



XOU15BCGSX

- Field Reversible Door
- Glass Shelves Fully Extend While Loaded
- Secure Door Lock
- Shelves Adjust To 15 Different Positions

15" UNDERCOUNTER OUTDOOR BEVERAGE CENTER WITH FIELD REVERSIBLE DOOR

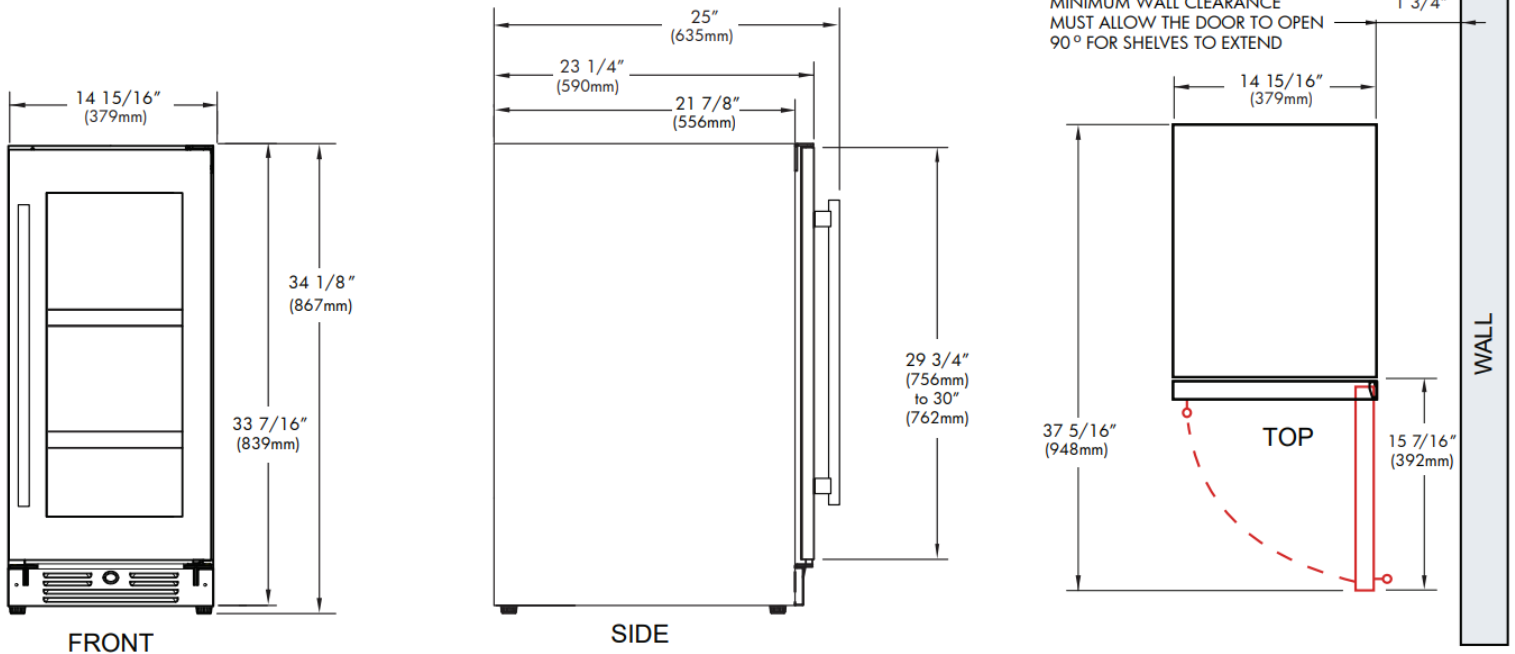
Store up to 66 (12oz) cans at a frosty 34° to 50° F and still find just what your are looking for. The clear glass shelves fully extend while fully loaded enabling you to see the entire contents at a glance. No more fumbling around or emptying the unit to find what you want.

And because beverages come in all shapes and sizes, the shelves of your XO beverage center can quickly adjust to 15 different positions.

WORLD CLASS SERVICE | COMPREHENSIVE WARRANTIES

OUR LASTING COMMITMENT TO YOU

*Specify **R** for right hand hinge - or - **L** for left hand hinge



FEATURES

CAPACITY

Full extension clear glass shelves hold:
 (66) 12oz Cans At 34° To 50° F

FEATURES

- Field Reversible Door
- Glass shelves fully extend to reveal contents
- Tri-color LED interior lighting
- Secure door lock
- Shelves quickly adjust to 15 different positions
- Holds up to 66 (12oz) cans
- Digital temperature control from 34° to 50° F
- Quiet Operation 39 dBA
- Flush installation design for under counter
- Removable 3 Bottle Wine Cradle included
- X-Active purifies and circulates air
- ENERGY STAR Certified Residential
- Designed for residential or commercial settings

Note: zero clearance hinges are visible just above and below the door

XO the next level
 in luxury appliances
 xoappliance.com | 800.966.8300

SPECIFICATIONS

ELECTRICAL 115V 60HZ 1.2 AMP*

DIMENSIONS
 H 34 1/8"
 W 14 15/16"
 D 23 1/4"

ROUGH IN
 H 34 1/4" min
 W 15 1/4"
 D 24"

REFRIGERANT R600A



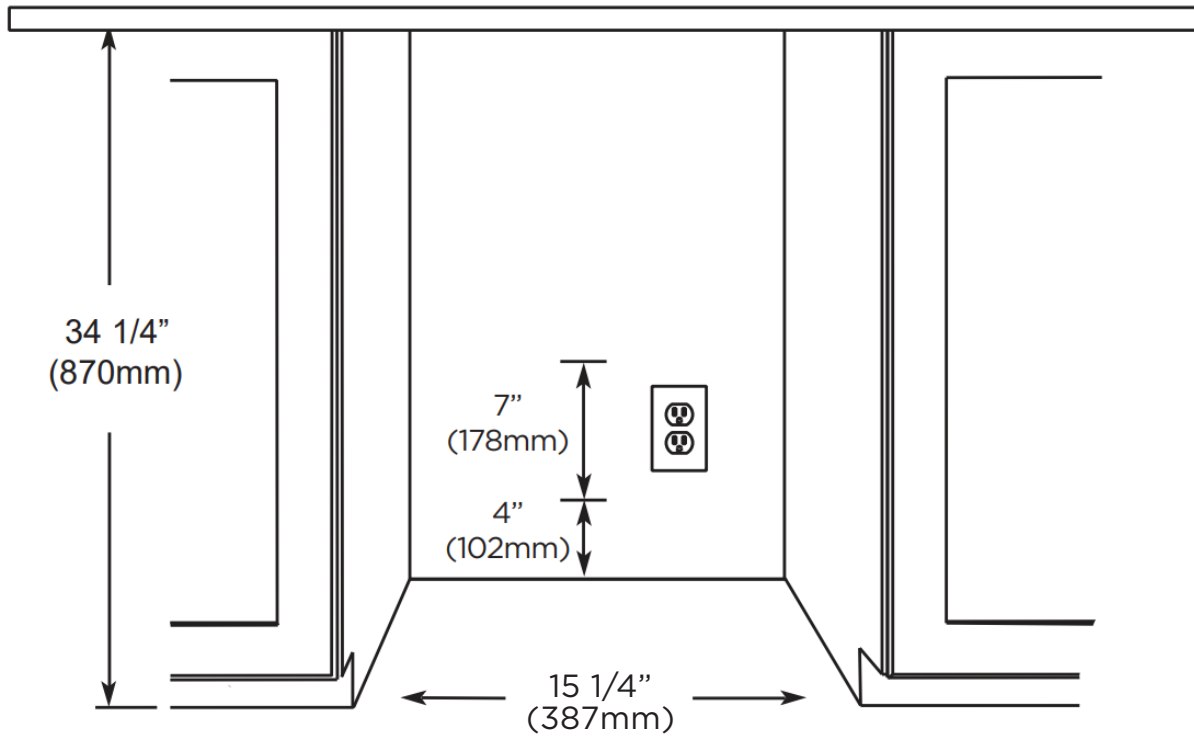
2 Handle Styles Included



3 Bottle Wine Rack Included



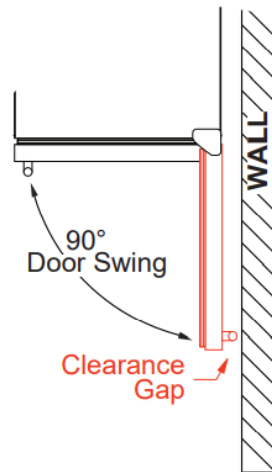
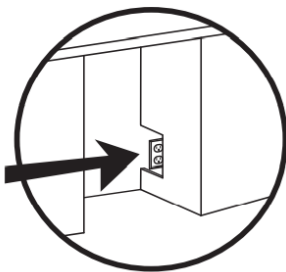
ROUGH-IN DIMENSIONS



All XO undercounter units arrive pre-wired with low profile plugs for easy installation



Need more space - Cut into an adjoining cabinet to reach an outlet there



When installing with The hinge side next to a wall -Leave 1-3/4" clearance gap for cabinet handles door must be able to open a minimum of 90 .

If the door cannot open fully You cannot extend the shelves. Consult the manual for Instructions on changing the door stop setting.