

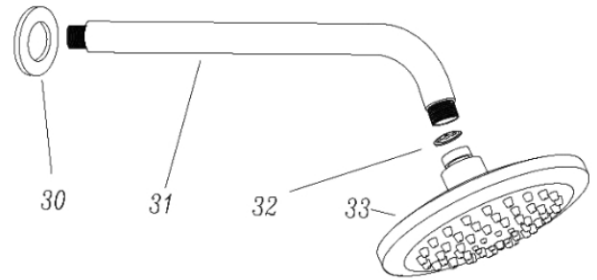
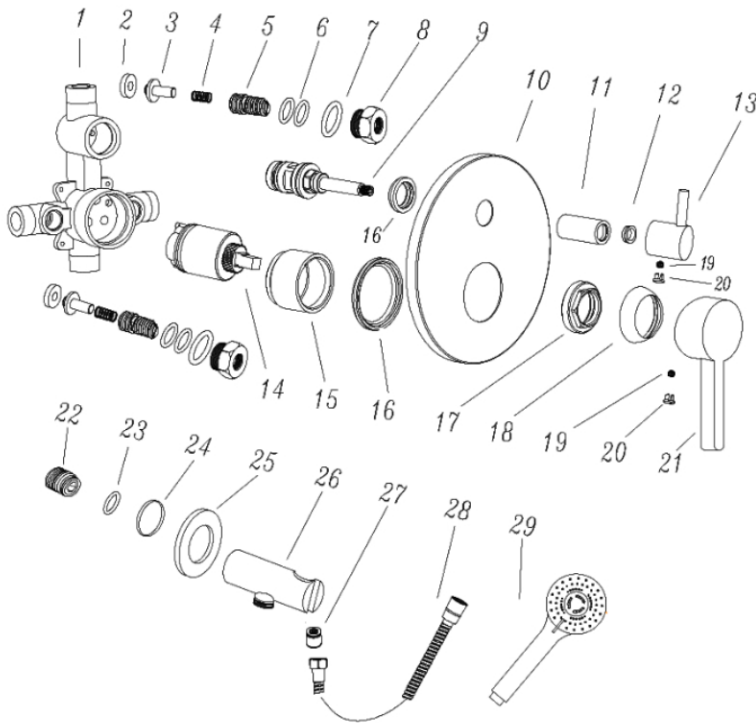


# MAIDSTONE

www.MaidstoneSupply.com

## Wall Shower Unit with Hand shower

Part No: 141-WS2-



22	612006-22	Connector	1	C36000
21	612006-21	Handle	1	Zinc alloy
20	612006-20	Decorative button	2	ABS
19	612006-19	Screw	2	S.S
18	612006-18	Decorative cup	1	C36000
17	612006-17	Nut	1	N7008F
16	612006-16	Rubber band	1	N7008F
15	612006-15	Coupling sleeve	1	C36000
14	612006-14	Cartridge	1	N40HLC
13	612006-13	Handle	1	Zinc alloy
12	612006-12	Washer	1	ABS
11	612006-11	Coupling sleeve	1	C36000
10	612006-10	Decorative cover	1	S.S
9	612006-09	Cartridge	1	QA-145
8	612006-08	Nut	2	C36000
7	612006-07	O Ring	2	N7008F
6	612006-06	O Ring	4	N7008F
5	612006-05	Screw	2	C36000
4	612006-04	Spring	2	S.S
3	612006-03	Pole	2	C36000
2	612006-02	Washer	2	N7008F
1	612006-01	Body	1	C36000
POS	PART NO	PART NAME	QTY	MATERIAL
<b>CZ612006</b>				
Rev	Drawn	Check	Issue	Quantity
1	1	1	1	1
<b>MEGA CASA</b>				Page 1 of 1

33	612006-33	Rain Shower	1	ABS
32	612006-32	Restrictor valve	1	ABS
31	612006-31	Spout	1	S.S
30	612006-30	Decorative cover	1	ABS
29	612006-29	Hand Shower	1	ABS
28	612006-28	Hose	1	S.S/PPVC
27	612006-27	Anti counter valve	1	ABS
26	612006-26	Flower seat	1	C36000
25	612006-25	Decorative cover	1	C36000
24	612006-24	O Ring	1	N7008F
23	612006-23	O Ring	1	N7008F

Contact Maidstone for additional information and specifications. For complete warranty information and a list of dealers visit [www.MaidstoneSupply.com](http://www.MaidstoneSupply.com). All products and specifications are subject to change without notice. Maidstone is not responsible for typographical and/or dimensional errors. Typographical errors are subject to correction.

Note: Rough-in dimensions may vary +/- 1/2" and are subject to change. No responsibility is assumed by Maidstone.