



Model(s) Z7500-i2

Temp-Gard® Fixed Spray Institutional Shower

TAG

Architectural/Engineering Specification:

Prefabricated stainless steel shower unit consisting of the TEMP-GARD pressure balancing shower valve with single bronze stem, stainless steel balancing piston & bottom access integral service stops. Standard with 1/2" [13mm] copper tubing assembly enclosed by 18 gage stainless steel #4 brushed finish shroud, comes standard with 2.5 gpm, chrome plated brass shower head with flow control on institutional bracket, metal stem handle, side mount soap dish & all vandal proof securing screws.

PRODUCT FEATURES:

- Pressure balancing shower valve with single bronze stem
- Chrome plated brass shower head with flow control
- 18 Gage Stainless Steel shroud

FLOW OPTIONS:

<input type="checkbox"/>	-1.25	Water Saver Flow Control, 1.25 GPM
<input type="checkbox"/>	-1.5	Water Saver Flow Control, 1.5 GPM
<input type="checkbox"/>	-1.75	Water Saver Flow Control, 1.75 GPM
<input type="checkbox"/>	-2.0	Water Saver Flow Control, 2.0 GPM

SUFFIX OPTIONS:

<input type="checkbox"/>	-LS	Less Soap Dish
<input type="checkbox"/>	-TC	Matching Shroud Extension to Cover Thru Ceiling Piping (Specify extension height)
<input type="checkbox"/>	-TH	Matching Shroud Cover For Concealed Horizontal Piping (Application drawings available for custom installations)



Product Compliance:

ADA
 ASSE 1016/ASME A112.1016/CSA B125.16
 ASSE 1016
 CSA B125.16

*Complies with ADA & ICC A117.1 accessibility requirements when installed according to the requirements outlined in these standards.

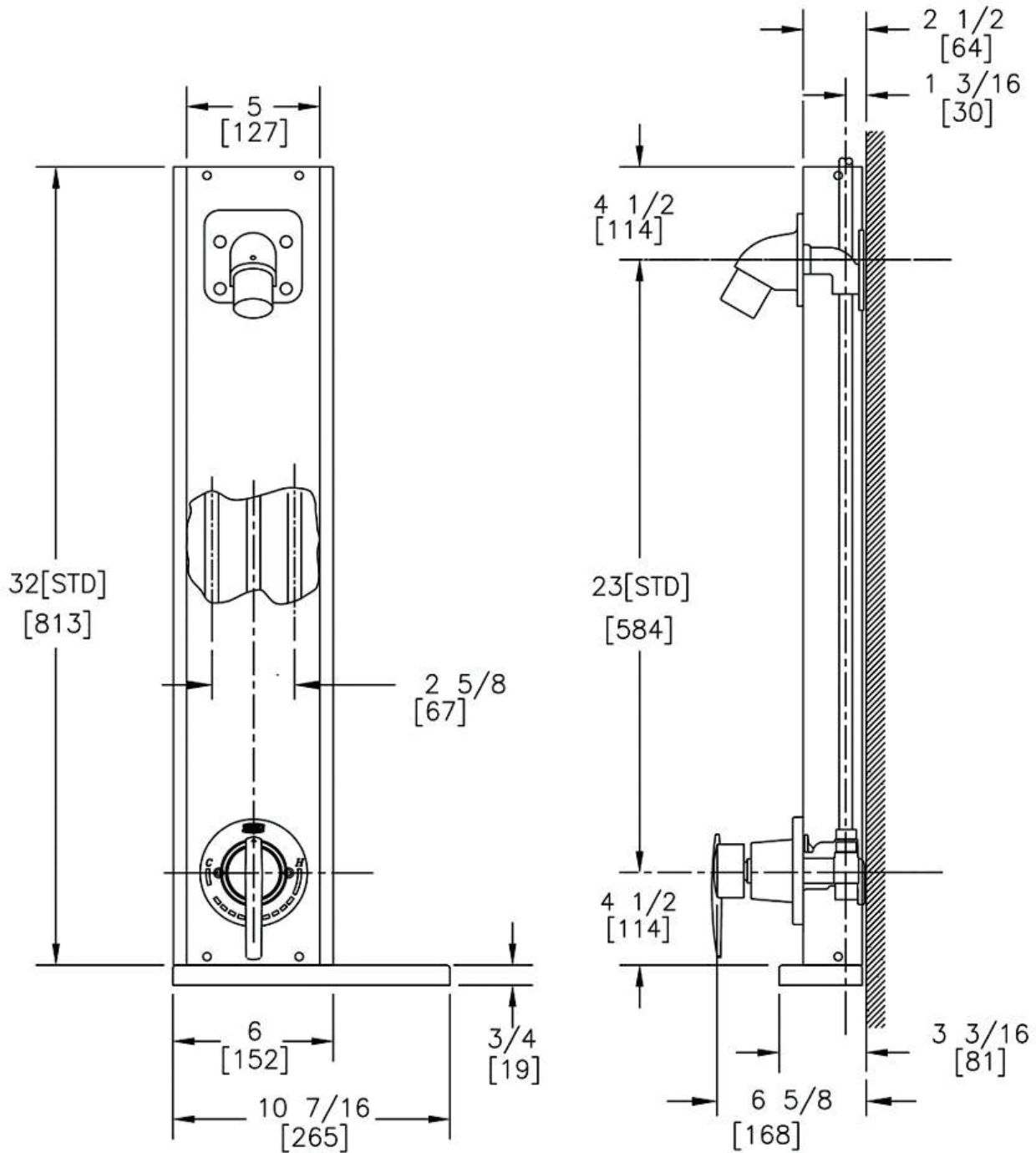
**Although products with certain combinations of options and features will meet or comply with these standards and/or certifications, not every combination of options and features will result in such compliance. If you have any questions about your particular product, please contact our Customer Care Dept. at 1-855-ONE-ZURN (United States) or 1-877-892-5216 (Canada) for confirmation.*

[Installation Guide - cf941.pdf](#)

Architectural/Engineering Approval

Design and dimensional data (inches and [mm]) are subject to manufacturing tolerances and change without notice.

⚠ WARNING: Cancer and Reproductive Harm - www.P65warnings.ca.gov
 ⚠ ADVERTENCIA: Cáncer y daño reproductivo - www.P65warnings.ca.gov
 ⚠ AVERTISSEMENT: Cancer et effets néfastes sur la reproduction - www.P65warnings.ca.gov



NOTE: All dimensions are for reference only. Do not use for pre-plumbing.

Design and dimensional data (inches and [mm]) are subject to manufacturing tolerances and change without notice.

⚠ WARNING: Cancer and Reproductive Harm - www.P65warnings.ca.gov
 ⚠ ADVERTENCIA: Cáncer y daño reproductivo - www.P65warnings.ca.gov
 ⚠ AVERTISSEMENT: Cancer et effets néfastes sur la reproduction - www.P65warnings.ca.gov