

N

**SMITH® JAY R. SMITH MFG. CO.®**  
 MEMBER OF MORRIS GROUP INTERNATIONAL  
 POST OFFICE BOX 3237  
 MONTGOMERY, ALABAMA 36109-0237 (USA)  
 TEL: 334-277-8520 FAX: 334-272-7396 www.jrsmith.com



LOCATION

DRAWING NUMBER  
S3140

SIZE  
A

SCALE:  
NONE

DATE:  
9-19-85

APPROVED BY:  
SJM

CHECKED BY:  
JD

DRAWN BY:  
PJ

3140-3161 Series

FIGURE NUMBER

WE CAN ASSUME NO RESPONSIBILITY FOR USE OF SUPERSEDED OR VOID DATA

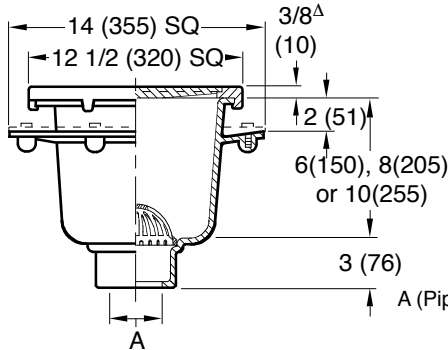
DIMENSIONS ARE SUBJECT TO MANUFACTURERS TOLERANCE AND CHANGE WITHOUT NOTICE

# SANI-CEPTOR® ACID RESISTANT COATED FLOOR & INDIRECT WASTE DRAINS

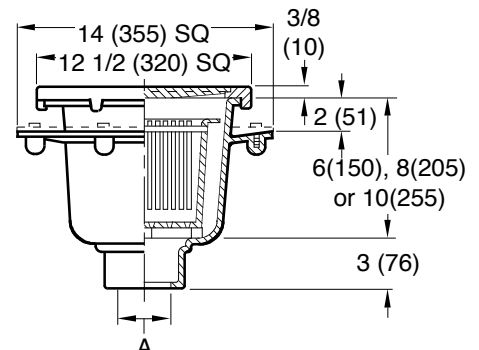
## SQUARE NICKEL BRONZE TOP

### 12 1/2" (320) TOP - MEDIUM, DEEP & EXTRA DEEP RECEPTORS

**FUNCTION:** Used in kitchens, hospitals, food markets, restaurants, schools and all types of food handling areas where the ultimate in sanitation is desirable and a medium capacity receptor is required.



Free Area  
42 SQ IN  
(271) SQ CM



WITH DOME BOTTOM STRAINER

6"(150) deep    8"(205) deep    10"(255) deep  
 Fig. ...  3140C ...  3150C ...  3160C ... CAULK OUTLET ...  
 Fig. ...  3140Y ...  3150Y ...  3160Y ... NO-HUB OUTLET ...

WITH SEDIMENT BUCKET

6"(150) deep    8"(205) deep    10"(255) deep  
 Fig. ...  3141C ...  3151C ...  3161C  
 Fig. ...  3141Y ...  3151Y ...  3161Y

## FEATURES, OPTIONS & ORDERING INFORMATION

**REGULARLY FURNISHED:** Cast Iron Flanged Receptor with Seepage Holes, Acid Resistant Coated Interior, Nickel Bronze Rim and Secured Grate. Aluminum Dome Bottom Strainer or White ABS Sediment Bucket as Indicated by Figure Number.

### OPTIONAL MATERIALS:

- All Duco Cast Iron Receptor -CI
- All Galvanized Receptor -G

### VARIATIONS:

- Aluminum Flat Bottom Strainer -FBS
- Flashing Clamp -C
- Less Flange (Fig. 3155, 3156 with caulk outlet only)
- Polished Aluminum Dome Bottom Strainer -PDBS
- Vandal Proof Screws -U
- L Speedi-Set Service Weight  
02(50), 03(75) & 04"(100) sizes only
- LXH Speedi-Set Extra Heavy  
02(50), 03(75) & 04"(100) sizes only

### SUFFIX NUMBER SQUARE RIM

SUFFIX NUMBER	DESCRIPTION
-10	Less NB Rim and Grate
-11	Less Grate w/NB Rim
-12	With NB Rim and 1/2 Grate
-13	With NB Rim and 3/4 Grate
-14	With NB Rim and Grate with 2 1/2"(64) SQ Center Hole
-15	With NB Rim and Aluminum Recessed Grate
-19	With NB Rim and Hinged Grate
-21	With NB Rim and Grate with 4"(100) DIA NB Funnel
-22	With NB Rim and Grate with 6"(150) DIA NB Funnel
-25	With NB Rim and Grate with 8 1/4(210) x 3 1/4(83) x 4 1/2"(115) High Oval NB Funnel
-26	With NB Rim and Grate with 6(150) x 2 1/2(64) x 1"(25) High Oval NB Funnel
-41	With NB Rim and Solid Cover
-42	With NB Rim and 1/2 Solid Cover
-43	With NB Rim and 3/4 Solid Cover
-44	With NB Rim and Solid Cover with 2 1/2"(64) DIA Center Hole
-49	With NB Rim and Stainless Steel Grate
-69	With NB Rim and XH Stainless Steel Secured Grate [ <sup>Δ</sup> 3/8"(10) dimension becomes 1"(25)]

**NOTE:** Dimensions shown in parentheses are in millimeters.

N	3-22-19	Revised Variations	MW	CL	WEIGHT POUNDS	VOLUME CUBIC FEET	FIGURE NUMBER <b>3140-3161</b> Series
M	5-31-17	Added -49	TBW	JM			
L	8-4-14	Revised Variations	TBW	CL			
K	6-10-14	Revised Reg. Furn., Var.	TBW	TWK			
REV.	DATE	DESCRIPTION	BY	CKD. BY			