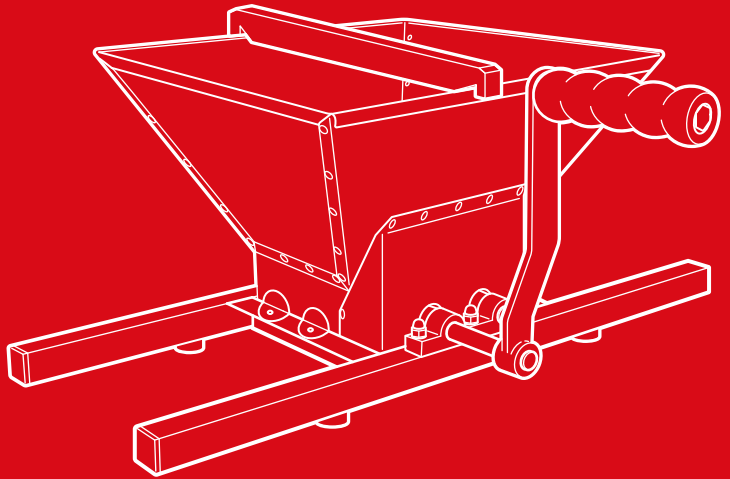




bestchoiceproducts



# INSTRUCTION MANUAL

---

7-Liter Fruit Crusher



**bestchoiceproducts**

---

Thank you for choosing us! Since 2002, Best Choice Products has been bringing customers high-quality products at the absolute lowest price. With everything ranging from instruments and toys to furniture and outdoor, we've got your everyday living essentials covered. We're centered around a customer-first philosophy - with free shipping, exceptional customer service, and a catalog sourced with you in mind.

---

## ! NOTICE

Please retain these instructions for future reference.

- Do not allow children to operate this item. Keep out of reach of children.
- Close supervision is necessary when appliance is used near children.
- Firmly secure all bolts, screws and knobs before use.
- Reconfirm that all bolts, screws, and knobs are secure every 90 days.
- Be aware that some parts are heavy and have sharp edges.
- If any parts are missing, broken, damaged, or worn, stop using this product until repairs are made and/or factory replacement parts are installed.
- Do not use this item in a way inconsistent with the manufacturer's instructions as this could void the product warranty.

## TOOLS REQUIRED



ALLEN WRENCH  
(PROVIDED)



1 PERSON  
ASSEMBLY



APPROXIMATELY  
5 MIN.  
ASSEMBLY

## HARDWARE

1

SET SCREW

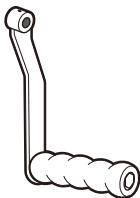


1 PC

## PARTS

A

HANDLE



1 PC

B

WOOD HAND REST

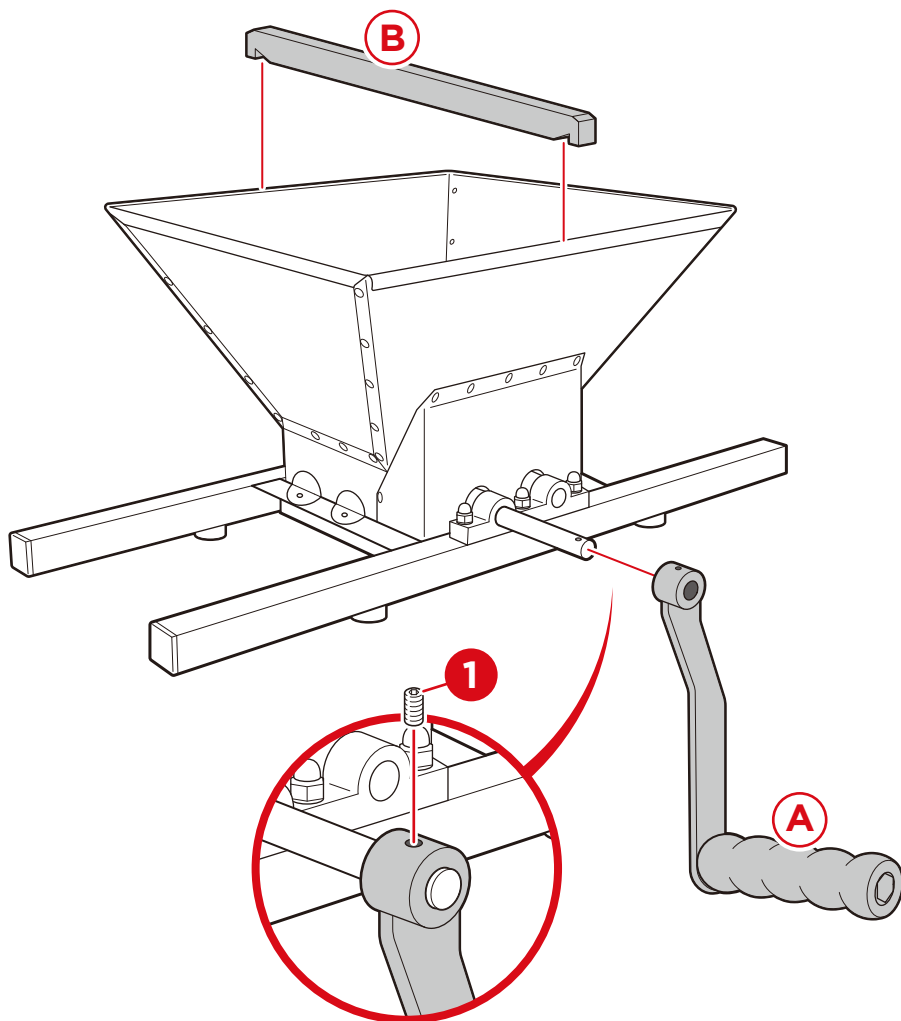


1 PC

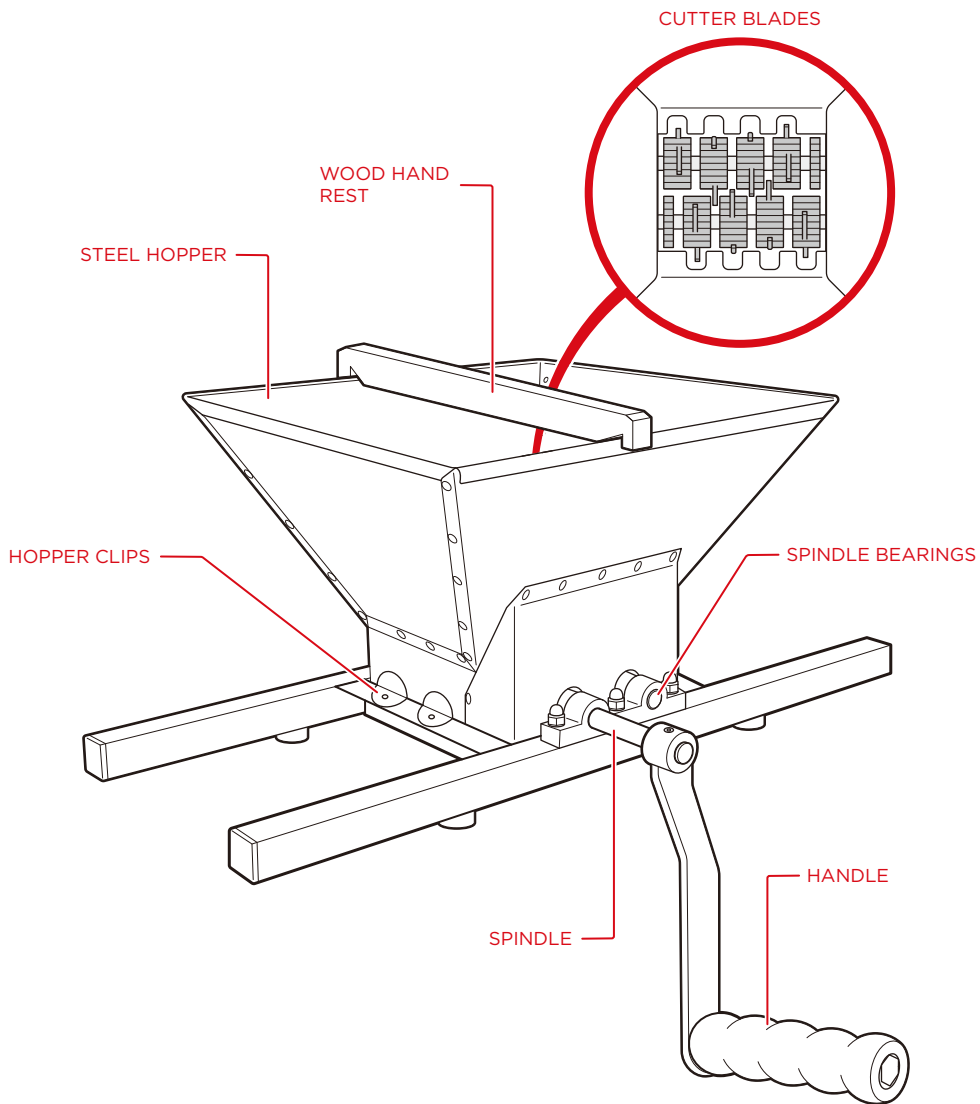
## PRODUCT ASSEMBLY

1

Attach the part A handle to the spindle with a part 1 set screw.  
Place the part B wood hand rest on the hopper.



# DIAGRAM



## BEFORE USE

- Wash hopper and cutter blades with warm water, mild detergent, and a nylon brush.
- Oil the spindle bearings with light vegetable oil or lubricant.
- Turn the handle to make sure the cutter blades are rotating freely. If the blades rub against the hopper, release the hopper clips and adjust the position of the hopper.

## USAGE TIPS

- Take extreme care when handling cutter blades while operating or cleaning.
- Only crush ripe fruit. Unripe fruit is difficult to crush.
- Small fruit can be crushed whole.
- Large fruit must be halved or quartered before crushing.
- Fruits with pits (plum, peach, nectarine, etc.) must have all pits removed before crushing.

## OPERATING INSTRUCTIONS

1. Fill hopper with up to 7 liters of fruit.
2. Place the wood hand rest on the hopper.
3. Press down on the wood hand rest and hold the crusher steady while turning the handle with your other hand.

**NOTE:** If needed, use your foot to steady the hopper while you turn the handle.

## CLEANING AND STORAGE

- Clean crusher after every use.
- Do not touch cutter blades with bare hands.
- Release hopper clips and remove hopper. Wash hopper and cutter blades with water and a nylon brush.
- If needed, wash with warm water and mild detergent.
- Allow crusher to completely dry and store in a cool, dry place.
- Routinely oil the spindle bearings with light vegetable oil or lubricant.

Earn points while you shop. Join today!

bestchoiceproducts  
**rewards**

Join | Earn | Redeem

Give your friends 15% off their first order! For each successful referral you'll receive 100 points.

[bestchoiceproducts.com](https://bestchoiceproducts.com)



# HELP CENTER



Question about your product? We're here to help. Visit us at:

[help.bestchoiceproducts.com](http://help.bestchoiceproducts.com)



Chat Support



Product Inquiry



Orders FAQ



Product Assembly



Returns & Refunds

## PRODUCT WARRANTY INFORMATION

All items can be returned for any reason within 60 days of the receipt and will receive a full refund as long as the item is returned in its original product packaging and all accessories from its original shipment are included. All returned items will receive a full refund back to the original payment method. All returned items will not be charged a re-stocking fee.

All returned items require an RA (Return Authorization) number, which can only be provided by a Best Choice Products Customer Service Representative when the return request is submitted. Items received without an RA may not be accepted or may increase your return processing time. Once an item has been received by Best Choice Products, refunds or replacements will be processed within 5 business days.

All returns must be shipped back to the Best Choice Products Return Center at the customer's expense. If the reason for return is a result of an error by Best Choice Products then Best Choice Products will provide a pre-paid shipping label via email. Boxes for return shipping will not be provided by Best Choice Products, and is the customer's responsibility to either use the original shipping boxes or purchase new boxes.

Pictures may be required for some returns to ensure an item is not damaged prior to its return. Items returned are not considered undamaged until they are received by Best Choice Products and verified as such. All damages to items are the customer's responsibility until the item has been received by and acknowledge by Best Choice Products as undamaged.



## WARNING

Manufacturer and seller expressly disclaim any and all liability for personal injury, property damage or loss, whether direct, indirect, or incidental, resulting from the incorrect attachment, improper use, inadequate maintenance, or neglect of this product.