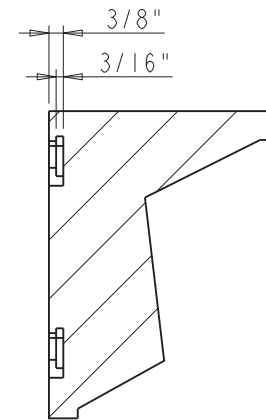
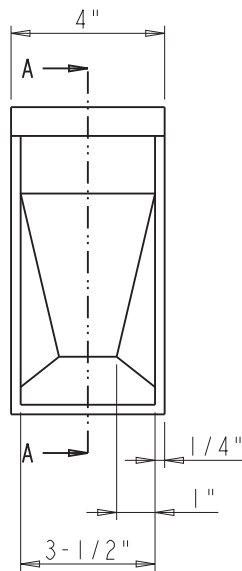
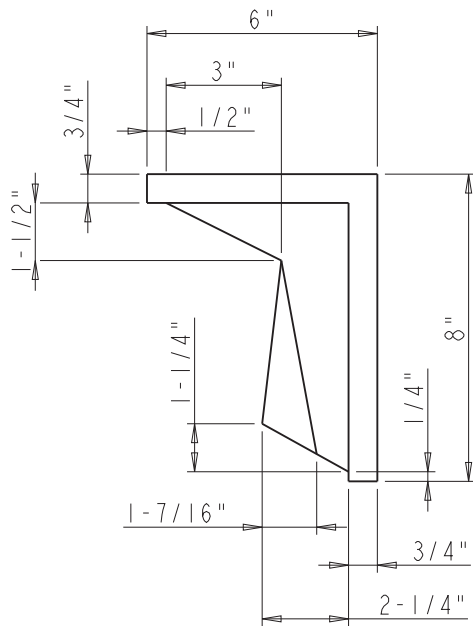
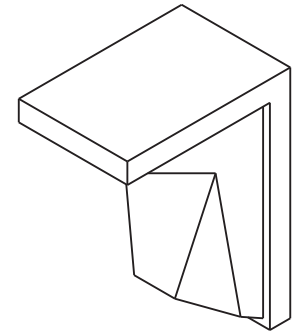
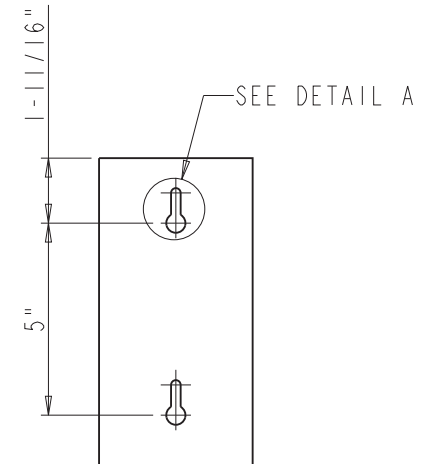


DETAIL A
SCALE 4:5



SECTION A-A



	ITEM#: COR35-1	MATERIAL:
	FINISH:	WEIGHT: 0.000 g
PROPRIETARY AND CONFIDENTIAL THE INFORMATION CONTAINED IN THIS DRAWING IS THE SOLE PROPERTY OF HARDWARE RESOURCES INC. ANY REPRODUCTION IN PART OR AS A WHOLE WITHOUT THE WRITTEN PERMISSION OF HARDWARE RESOURCES INC. IS PROHIBITED.	TOLERANCE UNLESS OTHERWISE SPECIFIED: X ±0.20 XX ±0.10 XXX ±0.05 ANGULAR: ±0.6° DO NOT SCALE DRAWING	PROJECTION
UNITS: DRAWN BY: DATE:	SIZE: A4 SHEET: 1 OF 1	APPROVED BY: <i>Hugo Cal</i> DATE: 12-16-14
	RELEASE LEVEL:	REVISION: