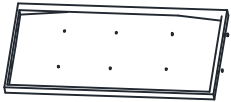
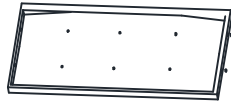


# ASSEMBLY INSTRUCTION

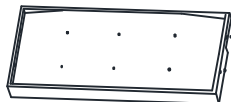
- A** Upper Part of Headboard    **B** Middle Part of Headboard    **C** Lower Part of Headboard    **D** Left Side Panel    **E** Right Side Panel



1pc



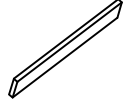
1pc



1pc



1pc

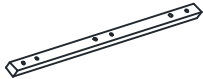


1pc

- F** Single-Sided Cover (In other carton)    **G** Slate    **H** Bolt 1/4" x 50mm    **I** Flat Washer 1/4"    **J** Lock Washer 1/4"



1pc



3pcs



30pcs



30pcs

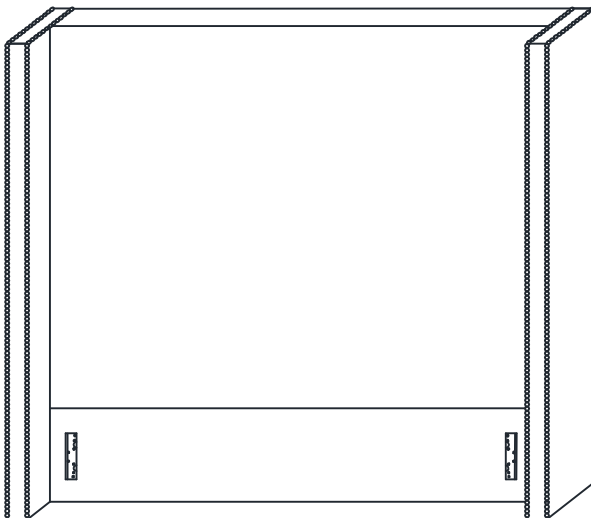


30pcs

- K** Allen Wrench 1/4"



1pc

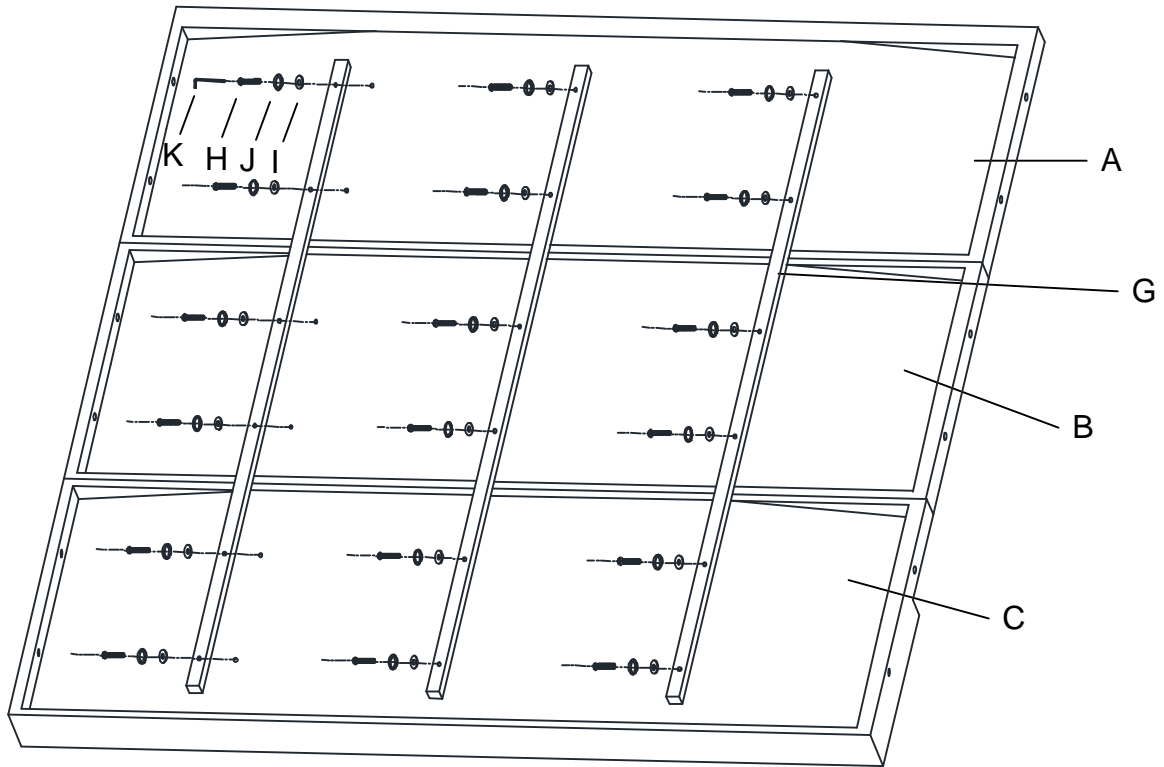


This page lists all the contents included in the box. Please take the time to identify the hardware as well as the individual components to this product. As you unpack and prepare for assembly, place the contents on a carpeted or padded area to protect them from damage.

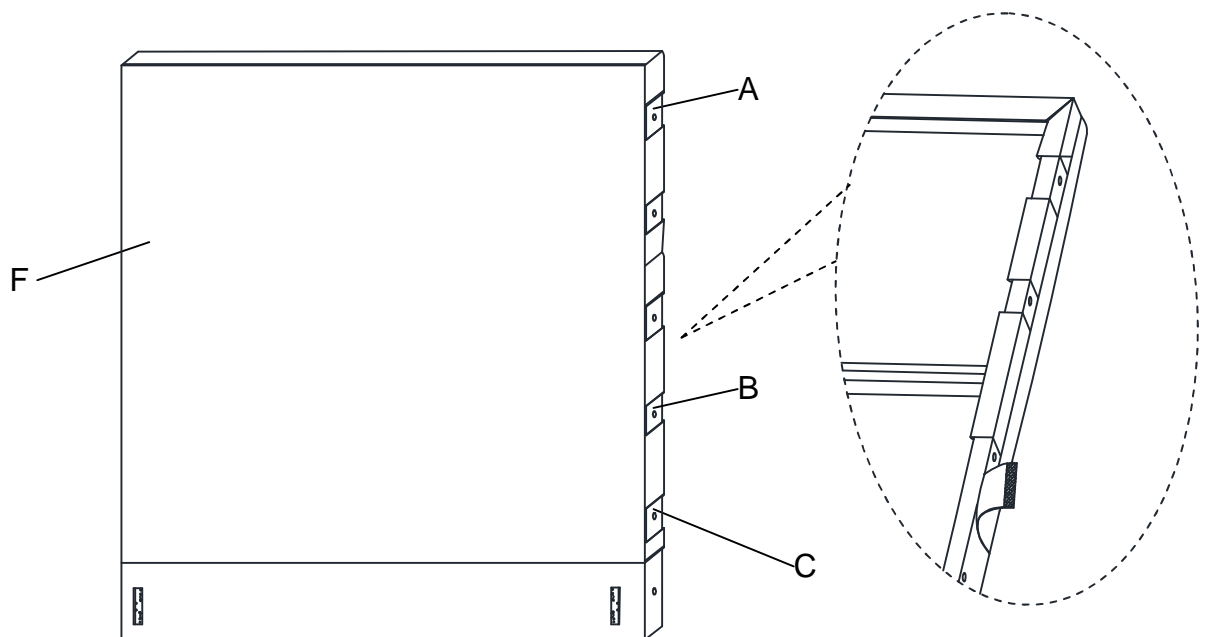
**Notice: This product need more than 2 people to assemble it.**

**1**

Attach Upper Part of Headboard (A) & Middle Part of Headboard (B) & Lower Part of Headboard (C) together with Bolt (H), Lock Washer (J) and Flat Washer (I) on holes of Slates (G). Turn the Allen Wrench (K) in Bolt (H).

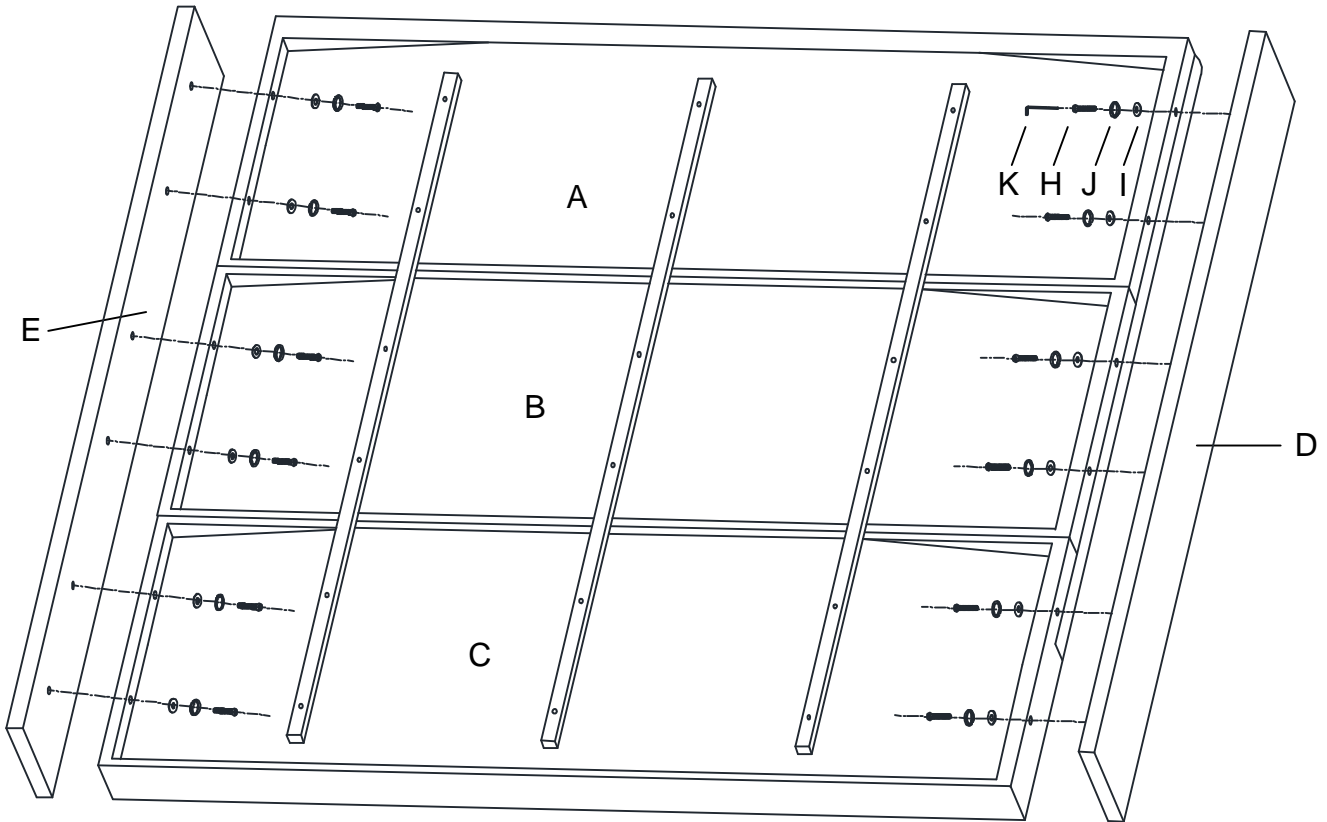
**2**

Put Single-Sided Cover (F) on the front of Headboard (A) & (B) & (C). Then stick the velcro at the back of Headboard (A) & (B) & (C).



3

Attach Left Side Panel (D) & Right Side Panel (E) to the Headboard (A) & (B) & (C) with Bolt (H), Lock Washer (J) and Flat Washer (I). Turn the Allen Wrench (K) in Bolt (H).



**Helpful Tip:**

- After assembly, if fabric is not smooth or wrinkled, please iron it.

**Cleaning & Care**

Treat surface with care. Surface is resistant to scratches but is not scratch resistant. Clean surfaces with a dry or damp soft cloth. Do not use abrasive cleaners. Hardware may loosen over time. Periodically check that all connections are tight.

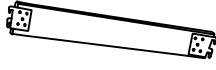
# ASSEMBLY INSTRUCTION

**A** Footboard



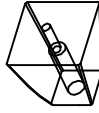
1pc

**B** Side Rails



2pcs

**C** Wooden Leg



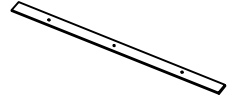
2pcs

**D** Support Leg



15pcs

**E** Wooden Slats



5pcs

**F** Screw



20pcs

**G** Bolt  
1/4" x 75mm



2pcs

**H** Bolt  
1/4" x 50mm



15pcs

**I** Flat Washer



17pcs

**J** Lock Washer

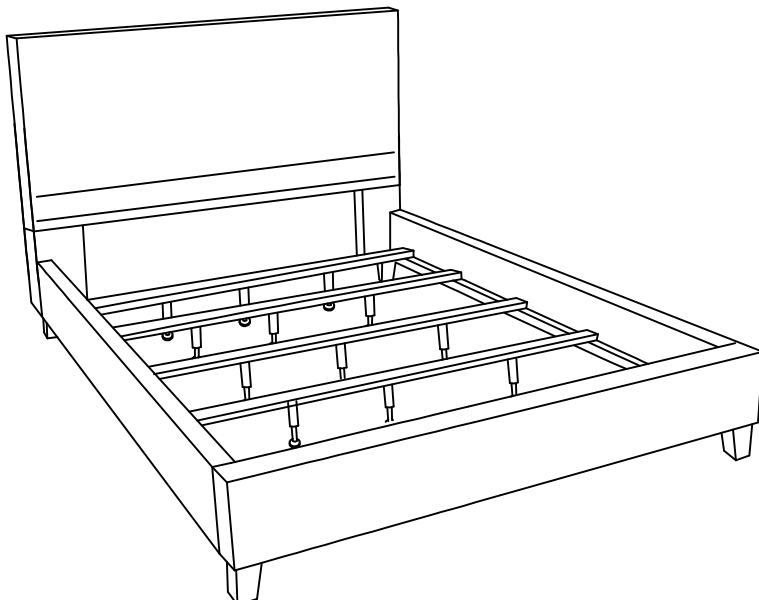


17pcs

**K** Allen Wrench

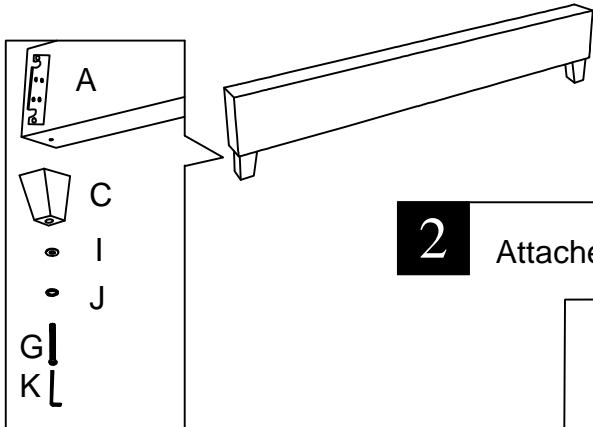


1pc

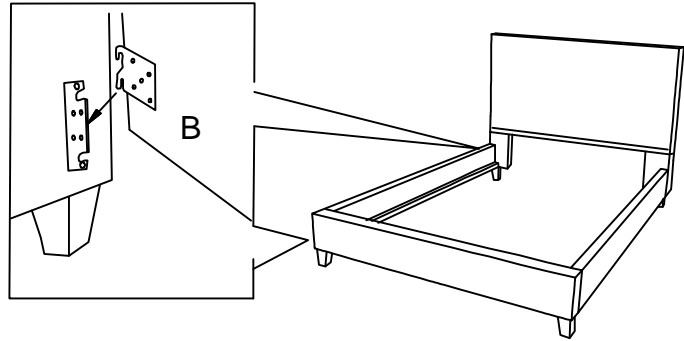


This page lists all the contents included in the box. Please take the time to identify the hardware as well as the individual components to this product. As you unpack and prepare for assembly, place the contents on a carpeted or padded area to protect them from damage.

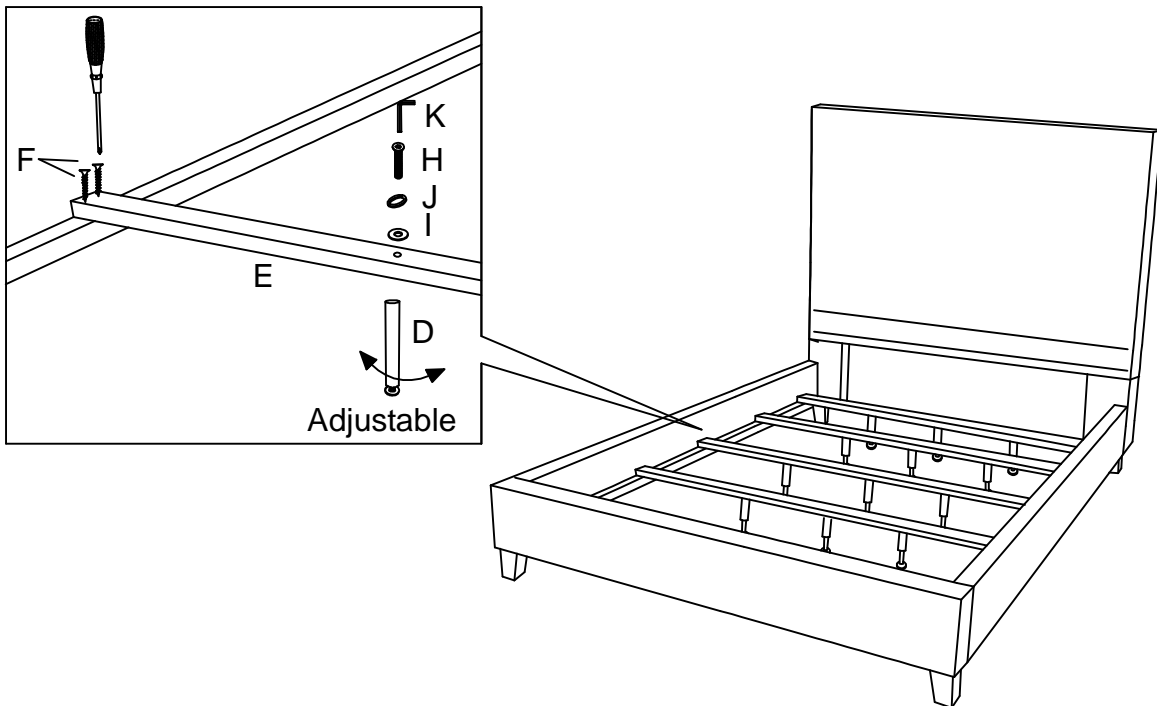
- 1** Attached Wooden Leg(C) to the Footboard(A) use Bolt(G), Lock Washer(J) and Flat Washer(I) on both of holes. Turn the Allen Wrench(K) in Bolt(G).



- 2** Attached Side Rails(B) to the Headboard and Footboard(A).



- 3** Assembly Support Leg(D) to Wooden Slats(E) use Bolt(H), Lock Washer(J) and Flat Washer(I) by Allen Wrench(K). Assembly Wooden Slats(E) to Side Rail(B) use Screw (F) as showing.



### Cleaning & Care

Treat surface with care. Surface is resistant to scratches but is not scratch resistant. Clean surfaces with a dry or damp soft cloth. Do not use abrasive cleaners. Hardware may loosen over time. Periodically check that all connections are tight.