

Dorado Fan

Square LED Wall Mount Cylinder with Up/Down Fan Distribution

Product Description

The Dorado Fan Square LED Wall Mount Cylinder features an attractive, contemporary design while maximizing lumen output. Ideal for porches, walls, columns, office spaces, restaurants, clubs, walkways and other residential or commercial applications where ambient illumination is desired, the Dorado Fan uses convex lenses to create asymmetric up/down fan light distribution. The fixture features a detachable mounting plate for easy mounting to J-Boxes and has a knockout for through-wiring.

Construction

- Die-cast aluminum housing
- Detachable mounting plate
- Easy to use mounting bracket allows for quick mounting to J-Boxes
- ½" knockout for conduit wiring

Optical System

- Tempered glass, convex lenses create an asymmetric up/down fan distribution while maximizing lumen output
- Utilizes advanced LED technology with CCT of 3000K, 4000K, and 5000K
- CRI 80+

Electrical

- Thermally-protected, high-efficiency driver
- Operating temperature rating of -4° to 104°F (-20°C to 40°C)
- Input voltage of 120-277VAC
- Available in 36 watt

Finish

- Fine-textured, bronze or white UV-stabilized powder coat finish

Mounting and installation

- Easy installation on a recessed junction box
- Fixture mounts directly to J-Boxes with screws
- For installations where power surge may be possible, NICOR recommends installing additional surge protection at the electrical distribution panel

Listings

- LM-79, LM-80 testing performed in accordance with IESNA standards
- UL and CUL Listed for wet locations
- Meets FCC Part 15, Subpart B, Class A standards for conducted and radiated emissions
- TM-21 Reported L70(10k) life >60,000 hours
- TM-21 Projected L70(10k) life =100,000 hours

Warranty

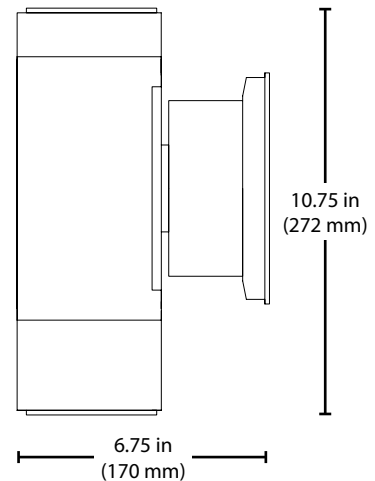
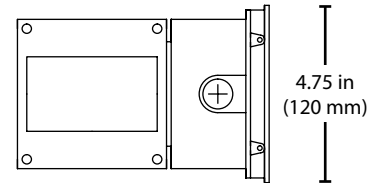
- 3-year limited system warranty standard
- Warranty does not cover product failure due to an overvoltage event (power surge)

Project

Catalog

Type

Date



Photometric Data

OWCF4D 5000K

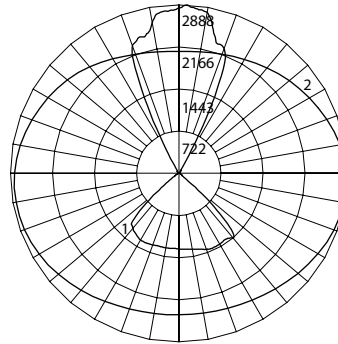
Input Voltage (VAC)	120-277
System Level Power (W)	34.4
120V Current (A)	0.29
277V Current (A)	0.13
Delivered Lumens (Lm)	1566
System Efficacy (Lm/W)	45.5
Correlated Color Temp (K)	5000
Color Rendering Index (CRI)	83
Power Factor	> 0.9
THD	< 20%
Beam Angle Up	50°x10
Beam Angle Down	100x40°
Spacing Criteria	0.72

Intensity Summary (Candle Power)

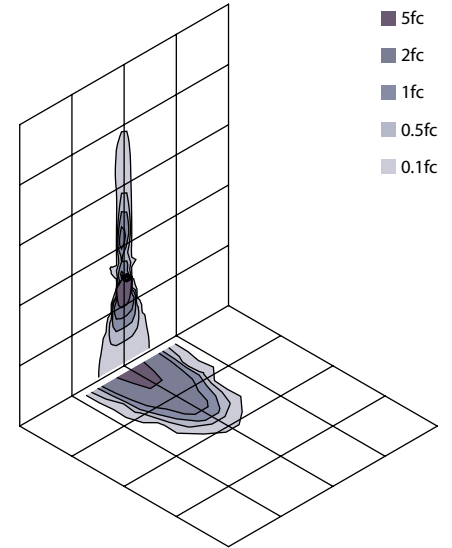
Angle	Mean CP
0	1297
15	1233
30	513
45	202
60	13
75	3
90	0
105	0
120	3
135	9
150	20
165	475
180	2814

CCT Data Multiplier

OWCF4N1036MV30	0.886
OWCF4N1036MV40	0.917



1 - Vertical Plane Through Horizontal Angle
2 - Horizontal Cone Through Vertical Angle



Each square represents 100 square feet.

Zonal Lumen Summary

Zone	Lumens	% of Luminaire
0-30	781	49.9%
0-40	1011	64.5%
0-60	1158	73.9%
0-90	1168	74.6%
90-180	398	25.4%
0-180	1566	100.0%

Performance Data

Model Number	Lumens	Watts	Lumens/Watt	BUG Rating
OWCF4D1022MV30	1387	34.4	40.3	B1-U3-G0
OWCF4D1022MV40	1436	34.4	41.7	B1-U3-G0
OWCF4D1022MV50	1566	34.4	45.5	B1-U3-G0

Ordering Information

Example: OWCF4N1036MV50BZ

Series	Distribution	Version	Wattage	Voltage	CCTs	Finish
OWCF4	N (Narrow)	10 (Version 1)	36 (36 W)	MV (120-277)	30 (3000 K)	BZ (Bronze)
					40 (4000 K)	WH (White)
					50 (5000 K)	

Specifications and dimensions subject to change without notice.

This device complies with part 15 of the FCC Rules. Operation is subject to the following two conditions: (1) This device may not cause harmful interference, and (2) this device must accept any interference received, including interference that may cause undesired operation.

NOTE: This equipment has been tested and found to comply with the limits for a Class A digital device, pursuant to part 15 of the FCC Rules. These limits are designed to provide reasonable protection against harmful interference when the equipment is operated in a commercial environment. This equipment generates, uses, and can radiate radio frequency energy and, if not installed and used in accordance with the instruction manual, may cause harmful interference to radio communications. Operation of this equipment in a residential area is likely to cause harmful interference in which case the user will be required to correct the interference at his own expense.