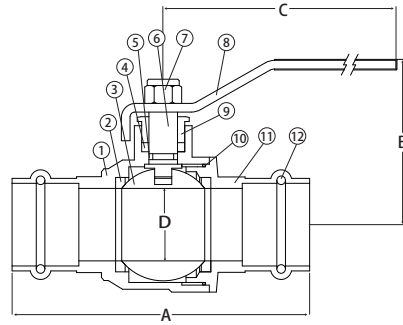


Lead Free Brass Ball Valve

2 Piece, Full Port, Press Connection, 250 WOG

JP-150G



FEATURES

- Dezincification Resistant Brass Alloy
- Gland Follower and Single O-Ring Stem Design
- Blow-Out Proof Stem
- 100% Leak Tested
- IAPMO Certified - NSF 61 & NSF 372 & NSF 14
- 29 in-Hg Vacuum Rating
- Wetted Surfaces Contain Less than .25% Lead Content

CERTIFICATIONS/APPROVALS

- NSF 61-8
- NSF 372
- NSF 14
- Conforms to IAPMO PS 117

PRESSURE/TEMPERATURE RATING

- 250 WOG
- Max. 250°F

MATERIALS

No.	Part	Material
1	Body	Lead Free Brass - C46500
2	Seat	PTFE
3	Ball	304 Stainless Steel
4	Packing	PTFE
5	O-Ring	Buna-N
6	Stem	Lead Free Brass - C46500
7	Handle Nut	Steel - Chrome Plated
8	Handle	Steel - Chrome Plated
9	Packing Nut	Brass - C37700
10	O-Ring	NBR
11	Cap	Lead Free Brass - C46500
12	O-Ring	EPDM

DIMENSIONS

Part No	Size	A	B	C	D	Cv
150-203G	1/2"	3.19	1.81	3.46	0.59	18.55
150-204G	3/4"	3.6	2.09	4.29	0.75	29.76
150-205G	1"	3.92	2.25	4.29	0.98	51.53
150-206G	1-1/4"	4.41	2.52	5.63	1.26	84.42
150-207G	1-1/2"	5.35	2.74	5.63	1.57	131.91
150-208G	2"	6.49	3.03	5.63	1.94	200.39