

NEWPORT BRASS

NEWPORT BATH

1/2" IN-WALL DIVERTER VALVE

1-702



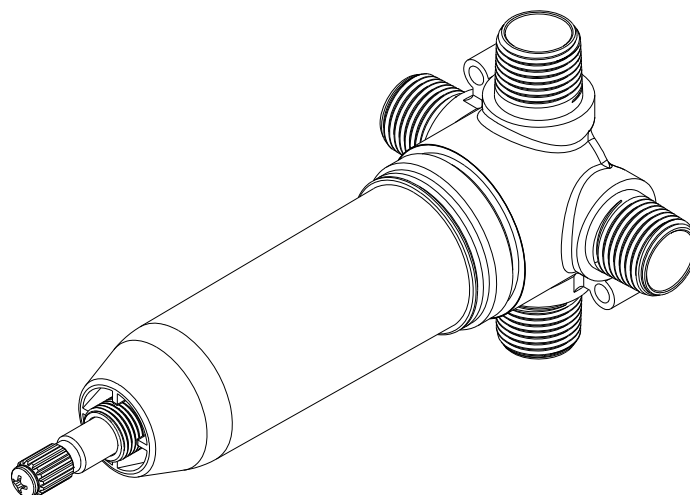
Features

- Solid brass construction.
- 5 function with off
- Universal 1/2" NPT and direct sweat connections for installation flexibility
- 20-tooth stem with 16-tooth adapter included
- Recommended for use with 3/4" thermostatic valve (1-540)
- Requires Newport Brass Handle Trim (many options available, sold separately)
- Not designed to be used with pressure balance valve


Codes / Standards Compliance

Meets or exceeds the following at date of manufacture:

- ASME A112.18.1/CSA B125.1
- IAPMO/cUPC
- IPC
- California Energy Commission
- All applicable US Federal and State material regulations



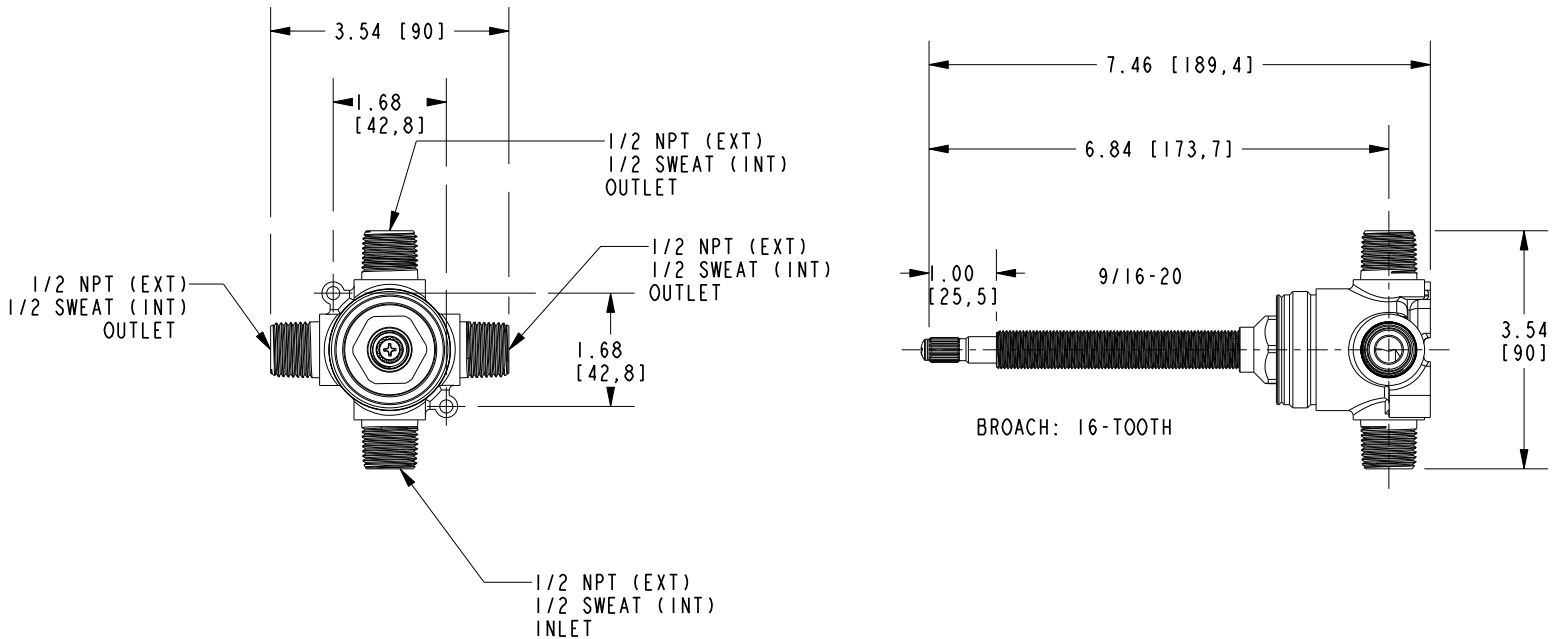
OPTIONAL ACCESSORY

System Element	Stem Extension
Description	Stem Extension Kit
Part Number	1-384
Image	

NEWPORT BRASS

PRODUCT DIMENSIONS *(Units are in inches)*

Product Dimensions are provided for reference only. For specific product installation guidelines, please reference the Installation Instructions of the product being installed.



1/2" IN-WALL DIVERTER VALVE

I-702