

KALLISTA®

For Town by Michael S Smith
Cast Iron Bathtub
P50035-BA

Features

- Drop-in or undermount installation
- Required waste and overflow (P21576-00) sold separately
- 72" (1829 mm) total length
- 36" (914 mm) total width
- 20-7/8" (530 mm) total height
- Optional under-mount installation kit (P50036-00-NA) sold separately

Material

- KOHLER® enameled cast iron

Required Products/Accessories

P21576-00 Waste and Overflow

or

P22711-LV Deck-Mount Bath Faucet with Diverter and Handshower, Lever Handles

Recommended Products/Accessories

P50045-00 Large Rectangular Bathtub

P21931-00 Traditional Drain Trim Kit



Codes/Standards

ASME A112.19.1

ASME A112.19.7

UL 1795

KALLISTA® Five-Year Limited Warranty

See website for detailed warranty information.

Available Colors/Finishes

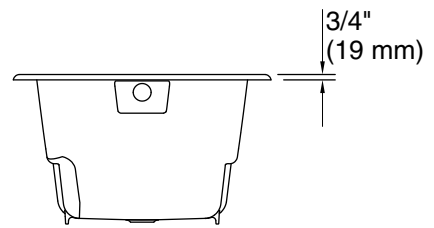
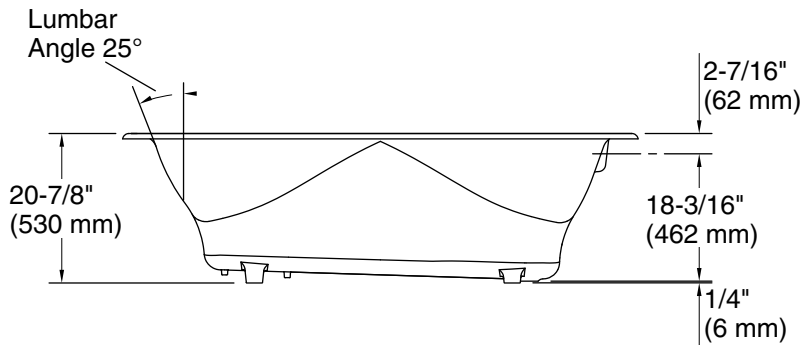
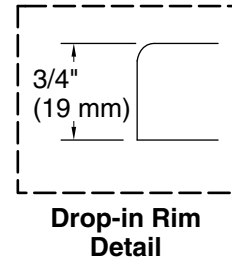
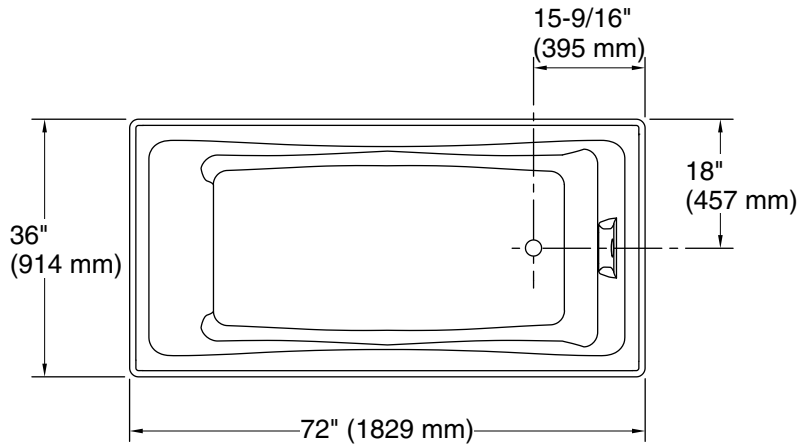
Color tiles intended for reference only.

Color	Code	Description
-------	------	-------------

	0	Stucco White
---	---	--------------

KALLISTA

For Town by Michael S Smith
Cast Iron Bathtub
P50035-BA



Technical Information

All product dimensions are nominal.

Drain location: Center

Notes

Measure your actual product for rough-in details.

Install this product according to the installation instructions.

The hot water supply should be 70% of the capacity of the bath or greater. Installations will vary.