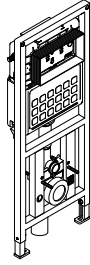


Installation and Care Guide

In-Wall Tank and Carriage

K-6284

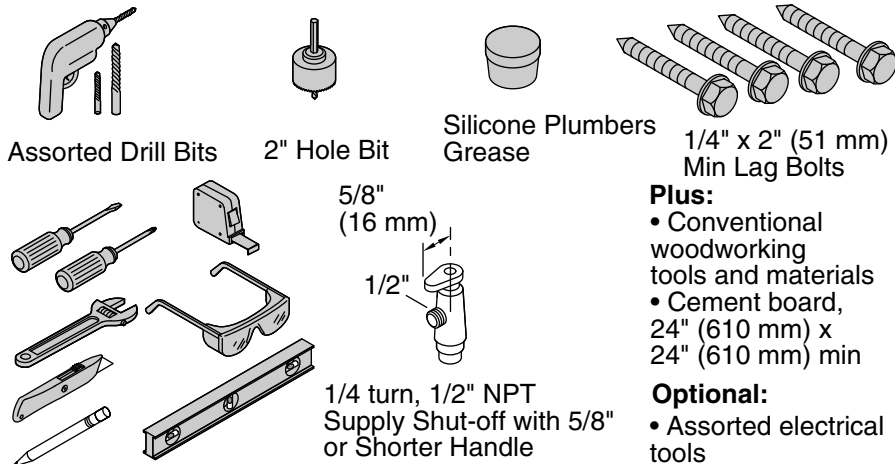


M product numbers are for Mexico (i.e. K-12345M)
Los números de productos seguidos de
M corresponden a México (Ej.
K-12345M)
Français, page "Français-1"
Español, página "Español-1"

THE BOLD LOOK
OF **KOHLER**®

1142998-2-D

Tools and Materials



Before You Begin

IMPORTANT! 2x6 framing is required for this product. 2x4 framing will not be deep enough to accommodate the carriage assembly.

IMPORTANT! In areas with freezing temperatures, install on an interior wall. If installed on an exterior wall, provide adequate insulation to prevent the possibility of freezing.

NOTE: This device is not intended to be used as a retrofit device for 1.28 gpf (4.8 lpf) water closets.

NOTE: Performance may vary. This product was not tested with toilets not listed as compatible.

- Only bowl numbers K-6299 and K-6300 are compatible with the carriage.
- During installation, make sure the inlet tube connections and gaskets remain fully engaged to ensure a watertight seal.
- Carefully inspect the carriage and tank for damage.
- Observe all local plumbing and building codes.

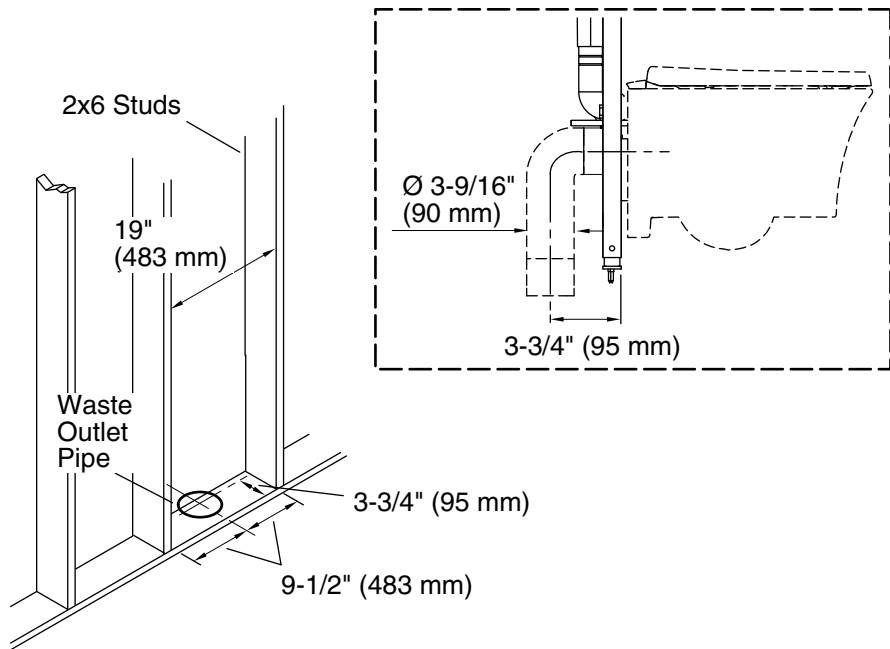
For Installations with a Bidet Seat



CAUTION: Risk of personal injury. If the optional electrical outlet will be installed, it must be connected to a GFCI or RCD protected circuit.

Before You Begin (cont.)

- If the optional electrical outlet will be installed, observe all local electrical codes.



1. Install the Framing

IMPORTANT! This installation requires 2x6 studs. Note the center-to-center stud dimension is not standard.

IMPORTANT! Note the 3-3/4" (95 mm) dimension from the front edge of the framing to the center of the outlet pipe. This dimension is critical for the installation.

NOTE: Refer to the specification sheet for more details and dimensions for roughing-in.

NOTE: The waste outlet pipe may need to be relocated for this installation.

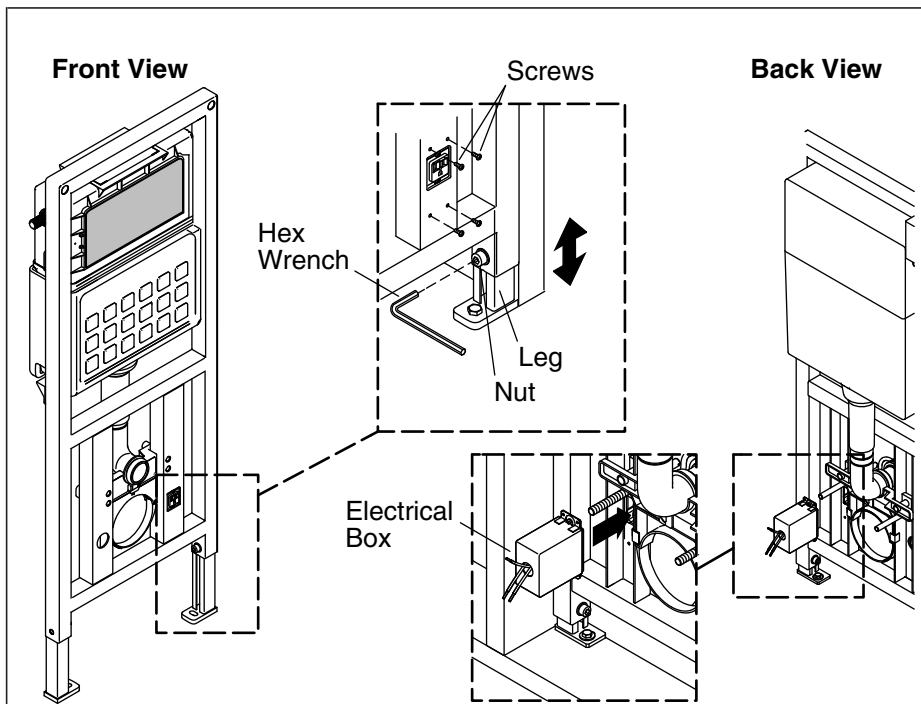
NOTE: A PVC elbow is supplied with this product. A cast iron elbow may be required by codes in some areas. The height of the toilet drain pipe may need to be adjusted if the cast iron elbow is used.

NOTE: Double studs must be used on either side of the stud pocket.

□ Construct the stud pocket using the dimensions shown.

Install the Framing (cont.)

- The center of the waste outlet should be 3-3/4" (95 mm) from the front edge of the framing.



2. Prepare the Carriage

Raise the Carriage

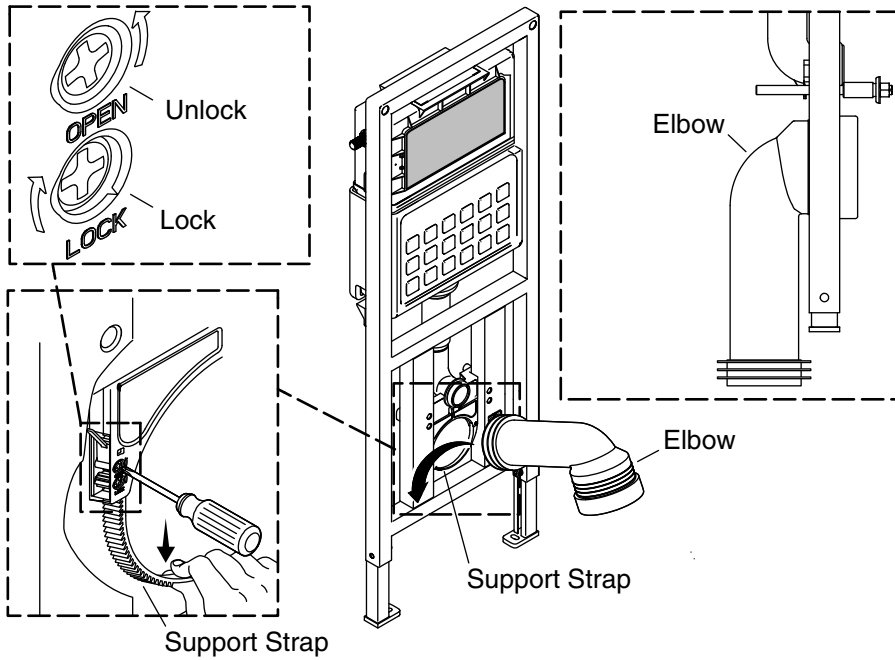
NOTE: Raise the carriage for ease of installation. It will be lowered again in a later step.

- Position the carriage face down on the floor.
- Loosen the nuts securing the legs to the carriage using the supplied hex wrench.
- Raise the carriage 8" (203 mm) - 10" (254 mm) high, enough to allow room for a wrench and lag bolts over the feet.
- Tighten the nuts securing the legs to the carriage.

Install the Electrical Box - Bidet Installations

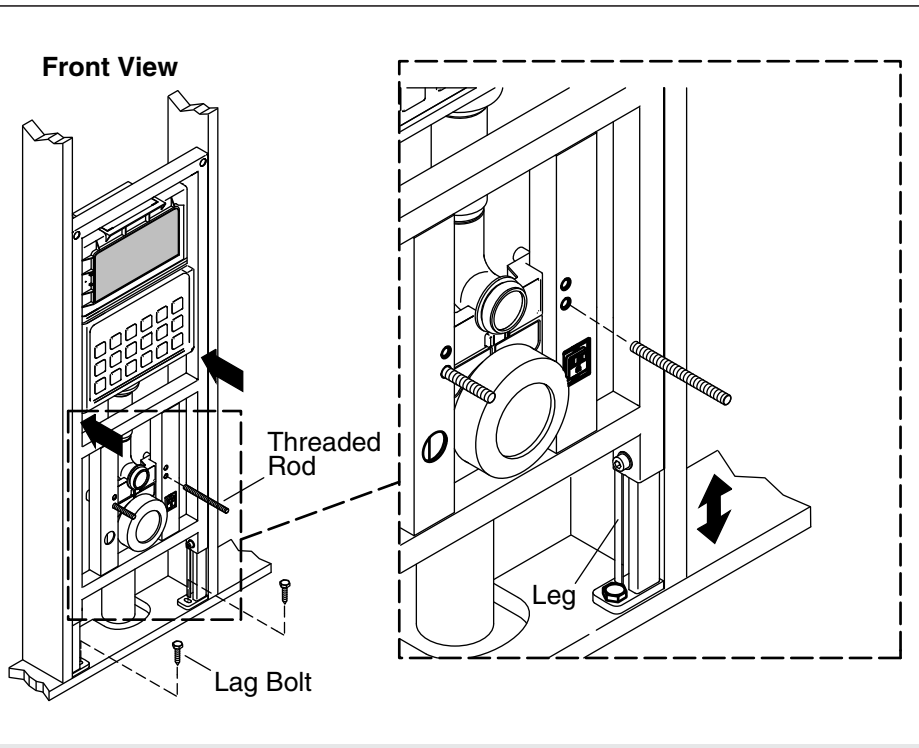
NOTE: The electrical box is required when the K-4744 bidet seat will be paired with the bowl. Skip this step for standard installations.

- Connect the electrical box to the carriage at the location shown.



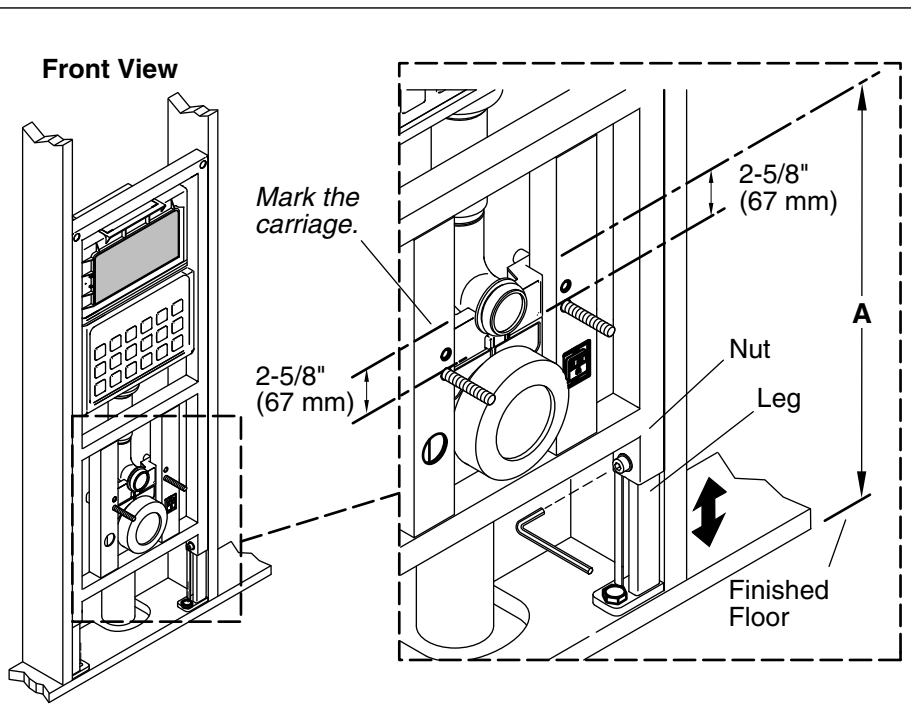
3. Position the Elbow

- Position the carriage upright in a secure position.
- **Gently** turn the upper screw (labeled "Open") counterclockwise while applying slight downward pressure on the support strap until the strap comes free of the locking mechanism.
- Move the end of the elbow into place from the front of the carriage. Rotate the elbow downward as it moves through the carriage.
- With the flared end of the waste pipe against the support strap, insert the support strap upward into the locking mechanism as far as possible.
- **Gently** turn the lower locking screw (labeled "Lock") clockwise until you hear a click to secure the waste pipe.



4. Install the Carriage

- Move the carriage into place in the stud pocket.
- Temporarily secure the carriage in place so it will not fall.
- Align the carriage flush with the front edge of the studs. The front of the carriage should be flush with the front edge of the studs or set back slightly for finished wall installation.
- Check the front of the carriage for plumb.
- Mark the hole location for each foot.
- Drill a pilot hole (remove the carriage if needed) to reduce the risk of the lag bolt causing the stud to split or crack.
- Secure the feet of the carriage to the studs using 2" (51 mm) (minimum) lag bolts (not supplied).
- Install the threaded rods several turns into the carriage.



5. Adjust the Carriage Height

IMPORTANT! If the carriage is not correctly adjusted, the bowl rim height may not be compliant with applicable codes. The finished wall would need to be removed to make the correct adjustments if the bowl height is not correct.

NOTE: For the **K-6299** and **K-6300** bowls, the minimum rim height is 15-5/8" (391 mm) when the finished floor is even with the bottom of the carriage legs. The maximum rim height is 26" (660 mm) when the legs are fully raised. The carriage can be adjusted up to 12" (305 mm), with 6" (152 mm) or less of adjustment sufficient in most installations.

- Make a mark 2-5/8" (67 mm) above the top of the threaded rod.
- Measure from the top of the finished floor to the mark (A) to determine the rim height of the bowl.
- Loosen the nuts securing the legs to the carriage.

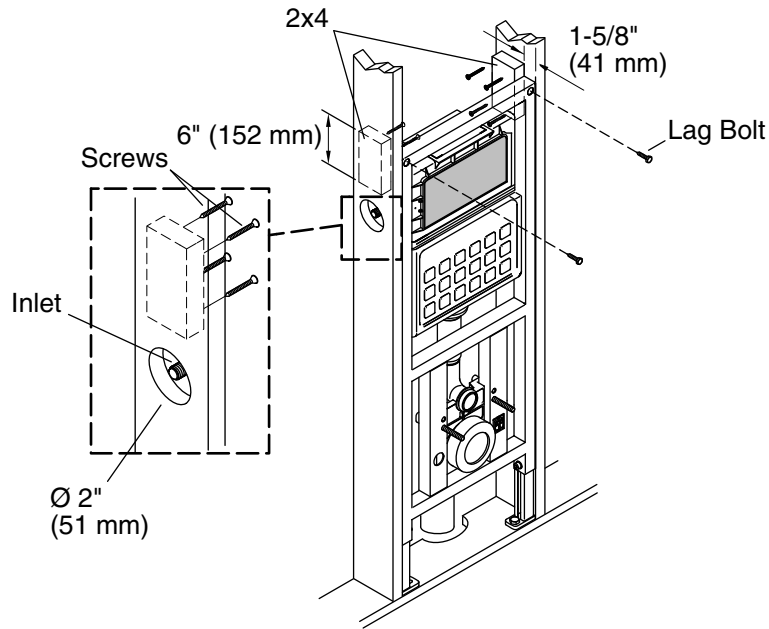
As the carriage is lowered, make sure the elbow aligns with the toilet drain pipe.

Adjust the Carriage Height (cont.)

If applicable, confirm the gasket on the elbow stays correctly positioned as it enters the toilet drain pipe.

- Adjust the carriage until the desired height is reached. Securely tighten the nuts using the provided hex wrench to secure the legs in place.

If a cast iron elbow is required, make the connections following all applicable codes.



6. Secure the Top of the Carriage

- Drill pilot holes at the lag bolt locations.
- Install two 6" (152 mm) long support 2x4's, located at the top of the carriage, aligned with the mounting holes, 1-5/8" (41 mm) in from the front edge of the studs.
- Secure the carriage to the support studs using 2" (51 mm) long (minimum) lag bolts (not supplied), one on each side.
- At the location of the inlet, drill a 2" (51 mm) hole.

Connect the Power - Bidet Seat Installations



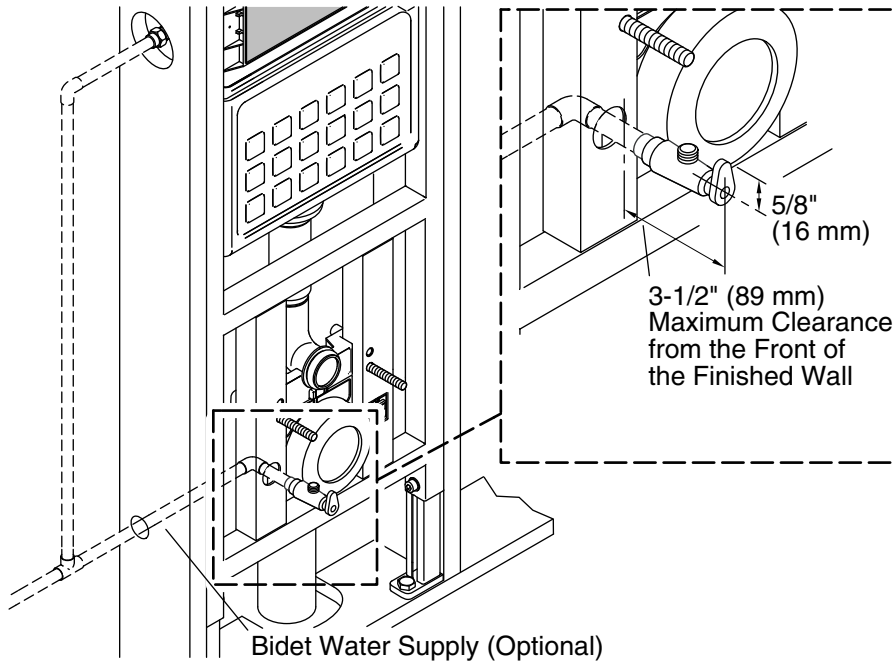
WARNING: Risk of personal injury. Disconnect the power before connecting the wires.



CAUTION: Risk of personal injury. The electrical outlet must be connected to a GFCI or RCD protected circuit or an accessible Ground-Fault Circuit-Interrupter (GFCI) or Residual-Current Device (RCD) must be installed.

NOTE: This step is only needed if the electrical box was installed in the "Prepare the Carriage" section.

- Connect the power following all applicable codes.



7. Install the Water Supply

All Installations

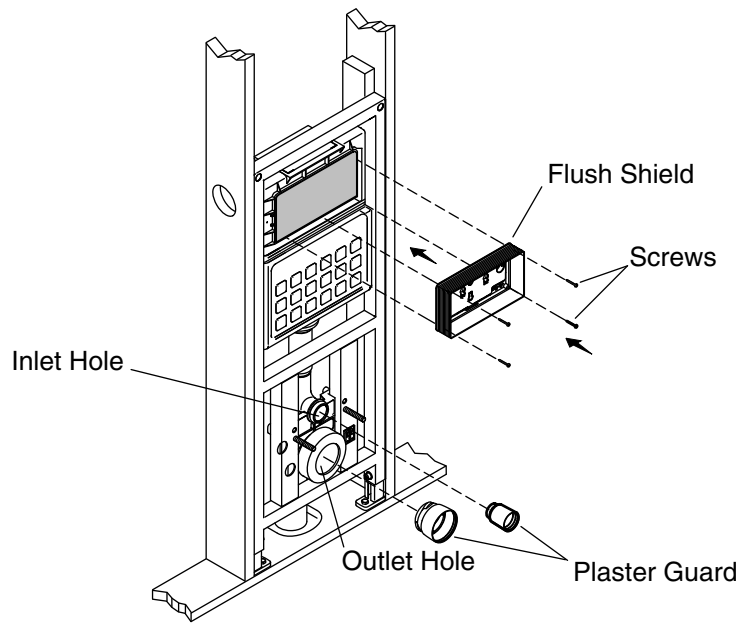
IMPORTANT! Optional bidet water supply for the **K-6300 Bowl** is shown. Do not install a second water supply unless a hidden bidet seat will be installed.

- Install the water supply pipes, following all local codes.
- Connect the waste pipe following all applicable local codes.

Installations With a Bidet Seat

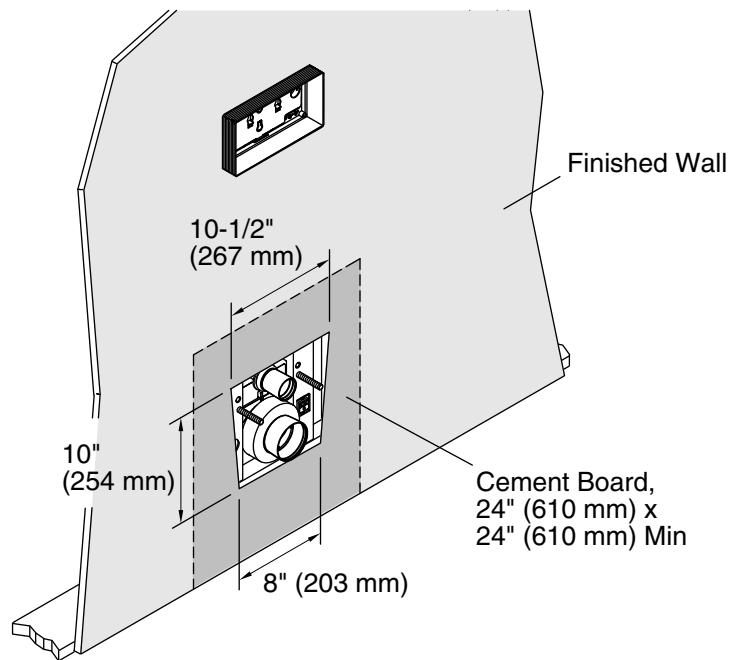
- **Optional:** Install the bidet water supply and a quarter turn, 1/2" NPT supply shut-off.

IMPORTANT! The bidet supply shut-off must extend 3" (76 mm) minimum to 4" (102 mm) maximum from the finished wall to allow access to the handle. The supply shut-off handle should be no higher than 5/8" (16 mm) from the center of the water supply.



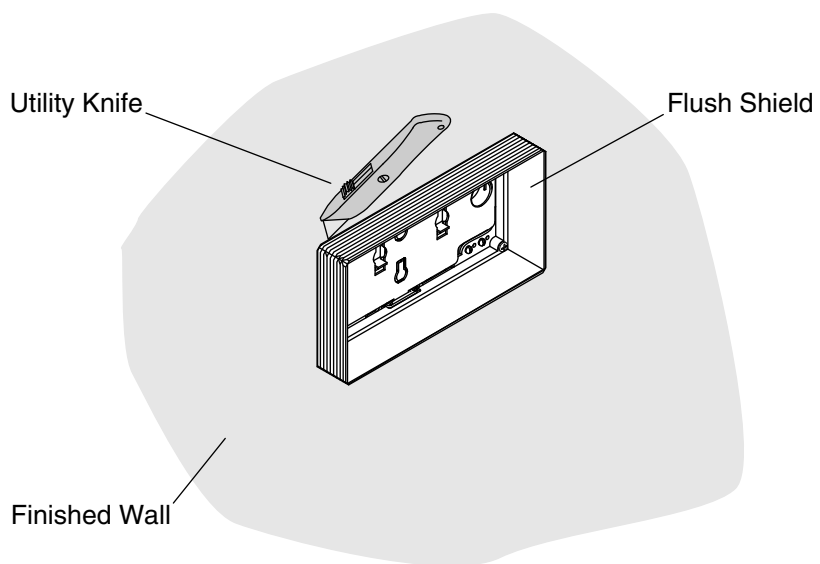
8. Install the Plaster Guards

- Insert a plaster guard into the inlet hole in the carriage.
- Install a plaster guard into the outlet hole in the carriage.
- Install the flush shield in the flush valve opening using the four supplied screws.
- If it is not already installed, install the flat panel in the flush valve opening.



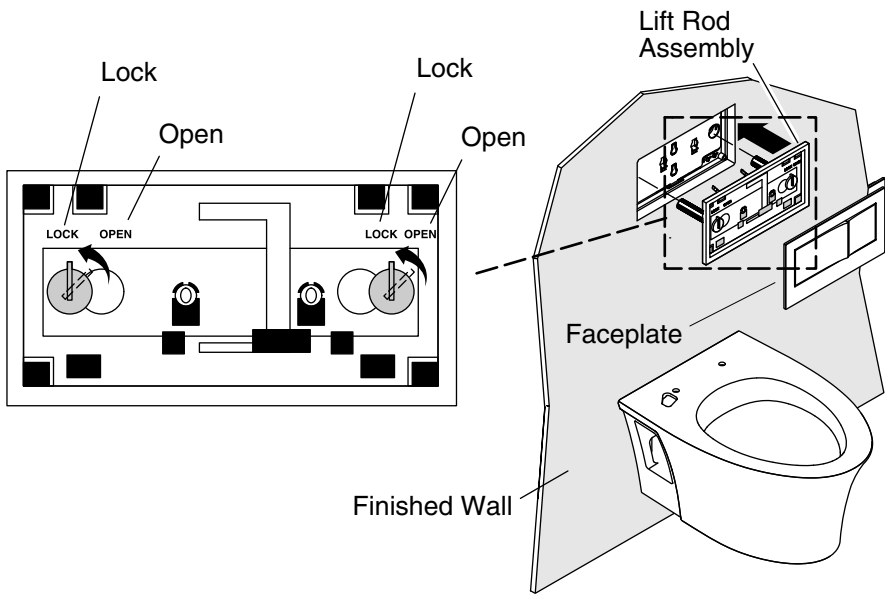
9. Install the Finished Wall

- Install a minimum 24" (610 mm) by 24" (610 mm) piece of cement board with a 10-1/2" (267 mm) by 10" (254 mm) hole, installed directly behind the bowl and centered over the waste outlet opening.
- Install the finished wall.



10. Trim the Flush Shield

- Use a utility knife to carefully trim the flush shield even with the finished wall.



11. Install the Faceplate

- Turn the locking tabs to the "Open" position.
- Align the lift rod assembly with the valve openings and install it.
- Turn the locking tabs to the "Lock" position.
- Position the faceplate over the lift rod assembly and press into place.

Care and Cleaning



WARNING: Risk of property or product damage. Do not use in-tank cleaners in your toilet. Products containing chlorine (calcium hypochlorite) can seriously damage fittings in the tank. This damage can cause leakage and property damage.

Kohler Co. shall not be responsible or liable for any tank fitting damage caused by the use of cleaners containing chlorine (calcium hypochlorite).

For best results, keep the following in mind when caring for your KOHLER product:

Care and Cleaning (cont.)

- Always test your cleaning solution on an inconspicuous area before applying to the entire surface.
- Wipe surfaces clean and rinse completely with water immediately after applying cleaner. Rinse and dry any overspray that lands on nearby surfaces.
- Do not allow cleaners to soak on surfaces.
- Use a soft, dampened sponge or cloth. Never use an abrasive material such as a brush or scouring pad to clean surfaces.
- **For Artist Edition Toilets:** Treat your decorative product just as you would treat your fine china. DO NOT use bristle brushes or abrasive-backed sponges. They will scratch decorative surfaces. Use only warm water to clean. Dry with a cotton cloth or soft sponge.

For detailed cleaning information and products to consider, visit www.kohler.com/clean. To order Care & Cleaning information, call 1-800-456-4537.

Troubleshooting

For service parts information, visit www.kohler.com/serviceparts.

Symptoms	Cause	Recommended Action
1. Poor flush.	A. Water level is too low.	A. The water line should be about 8" (203 mm) above the bottom of the tank. Raise the water level in the tank to the marked waterline by turning the white knob clockwise until the water level reaches the waterline marked in the tank.
	B. Improper waste line venting.	B. Install venting to code.

Troubleshooting (cont.)		
Symptoms	Cause	Recommended Action
2. Running fill valve.	A. Water level is too high.	A. Lower the water level in the tank by turning the knob at the top of the threaded rod counterclockwise until the fill valve shuts off when the water level reaches the marked waterline in the tank.
	B. Flush valve gasket or flush valve are damaged.	B. Replace gasket or flush valve as necessary.
	C. Flush valve is sticking open.	C. Check flush valve and actuating mechanisms for free movement. Push button actuators should raise levers then spring back without force. Replace components as necessary.
3. Leaks from behind the bowl.	A. Gaskets not positioned correctly.	A. Remove the bowl and inspect all the gaskets. Reposition the gaskets if needed. Lubricate the gaskets so they slide in or over the mating part they seal. Reinstall the bowl, making sure the gaskets stay in the correct positions.
4. Carriage and bowl flex when used.	A. Insufficient support for frame.	A. Add additional support members, and mount the frame with 1/4" or larger lag screws.
5. No water flow.	A. Supply stop located in tank is closed.	A. Open the supply stop (located on the left side).

Troubleshooting (cont.)		
Symptoms	Cause	Recommended Action
	B. There is an obstruction in the water line.	B. Close the external supply stop, disconnect the braided hose where it attaches to the fill valve. Turn on the water supply and check the flow through the hose. Continue to investigate water path for obstructions. Clear any blockages.

Warranty

ONE-YEAR LIMITED WARRANTY

KOHLER plumbing products are warranted to be free of defects in material and workmanship for one year from date of installation.

Kohler Co. will, at its election, repair, replace or make appropriate adjustment where Kohler Co. inspection discloses any such defects occurring in normal usage within one (1) year after installation. Kohler Co. is not responsible for removal or installation costs. **Use of in-tank toilet cleaners will void the warranty.**

To obtain warranty service contact Kohler Co. either through your Dealer, Plumbing Contractor, Home Center or E-tailer, or by writing Kohler Co., Attn.: Customer Care Center, 444 Highland Drive, Kohler, WI 53044, USA, or by calling 1-800-4-KOHLER (1-800-456-4537) from within the USA and Canada, and 001-800-456-4537 from within Mexico, or visit www.kohler.com within the USA, www.ca.kohler.com from within Canada, or www.mx.kohler.com in Mexico.

IMPLIED WARRANTIES INCLUDING THAT OF MERCHANTABILITY AND FITNESS FOR A PARTICULAR PURPOSE ARE EXPRESSLY LIMITED IN DURATION TO THE DURATION OF THIS WARRANTY. KOHLER CO. AND/OR SELLER DISCLAIM ANY LIABILITY FOR SPECIAL, INCIDENTAL OR CONSEQUENTIAL DAMAGES. Some states/provinces do not allow limitations on how long an implied warranty lasts, or the exclusion or limitation of special, incidental or consequential damages, so these limitations and exclusions may not apply to you. This warranty gives you specific legal rights. You may also have other rights which vary from state/province to state/province.

Warranty (cont.)

This is Kohler Co.'s exclusive written warranty.